

# SCHMIDT® ManualPress

## From 1.6 kN to 22 kN

Efficient manufacturing requires appropriate means of production – not always automation. In particular, with small production runs, manual presses are often the most cost effective solutions.

We are continually developing the range of manual presses so that you can achieve your production targets. The expertise we have gained from our exposure to numerous production applications has been implemented in our new models. Therefore, we can offer a wide range of manual presses to suit all requirements.

### Characteristics

- Flexibility
  - Rapid changeover due to the easy and secure adjustment of the working height
  - Table tops with precision T-slot and precise alignment between the ram and table bores allow for accurate and repeatable set ups which reduces set-up times
  - The original position of the hand lever can be varied by 360°
  - Horizontal pull (111/113)
  - Available for left-handed and right-handed use
  - The return stroke force of the ram can be adapted to different tool weights
- Precision
  - Alignment < 0.05 mm between upper and lower tool
- Maintenance-free
  - No lubrication necessary
- Long service life

Depending on the application, there is a wide selection of rack-and-pinion presses and toggle presses to choose from. Furthermore, a modular product design gives you the opportunity to choose the appropriate press for your application.



# SCHMIDT® Rack-and-Pinion Presses

## Constant force over the entire stroke

Do you need force over a longer stroke distance for assembly processes? Then **SCHMIDT® Rack-and-Pinion Presses** are the right choice.

### Characteristics

- Long stroke
- Linear force progression
- Precise adjustment of the press depth via an integrated hardened adjustable stop
- Honed ram guiding and ground rams provide a long service life and a precise guidance



Press Type 5



Press Type 3 or 6



Press Type 1 or 2



Improved return stroke mechanism for rack-and-pinion presses No. 3 and 6 with stroke 100 mm and 160 mm

The use of a spring package optimized specifically for large strokes improves ergonomics significantly. In addition, the use of the **Ergohandle** ensures that even with angles of rotation  $>360^\circ$ , no switching of hand position is necessary. The force feedback on the hand lever is kept as constant as possible over the entire stroke by a balance weight.



### Press Head

No.1 and No.2 have a ground guidance plate and teflon-coated adjustable gibbs for precise and torsion-proof guidance.

## From 1.6 kN to 2.5 kN

Press Type		5	5R	3	3R	6	6R	1	1R	2	2R
<b>Press head type</b>		5	5R	3	3R	3	3R	1	1R	1	1R
Nominal force	kN	1.6	1.6	2.4	2.4	2.4	2.4	2.5	2.5	2.5	2.5
Working stroke up to	A mm	40	40	70	70	70	70	80	80	80	80
				160	100	160	100	100	100	100	100
Press head height	S mm	240	240	350	350	350	350	400	400	400	400
				350	350	350	350				
Throat depth	C mm	65	65	86	86	86	86	86	86	86	86
Ram bore	Ø mm	10H7	10H7	10H7	10H7	10H7	10H7				
Collet (standard Ø10)	Ø mm							1-17	1-17	1-17	1-17
Hand lever left		○	○	○	○	○	○	●	●	●	●
Angle of rotation/mm stroke		4.1°	4.1°	3.2°	3.2°	3.2°	3.2°	2.2°	2.2°	2.2°	2.2°
Max. weight of the upper tool <sup>2)</sup>	kg	1.5	1.0	2.5	2.0	2.5	2.0	1.0	1.0	1.0	1.0
<b>Return stroke lock<sup>1)</sup></b>											
Minimum working stroke	mm		17		18		18		26		26
Locked position 1	mm bef. BDC		11.5		13		13		19.5		19.5
Locked position 2	mm bef. BDC		3.5		4.5		4.5		7		7
Disengaging accuracy	mm		0.06		0.07		0.07		0.08		0.08
<b>Working height<sup>3)</sup></b>	F										
Frame No. 13	mm	55-200	55-200					120-260	120-260		
Frame No. 3	mm			75-220	75-220						
Frame No. 2	mm					100-355	100-355			145-360	145-360
Frame No. 2-600 ○	mm			200-600	200-600	200-600	200-600	245-650	245-650	245-650	245-650
Frame No. 2-1000 ○	mm			330-1030	330-1030	330-1030	330-1030	380-1080	380-1080	380-1080	380-1080
Weight	approx. kg	11	11	22	22	30	30	23	23	31	31

Accessories	5	5R	3	3R	6	6R	1	1R	2	2R
Mechanical counter	○	○	○	○	○	○	○	○	○	○
Throat depth frame (total depth) 111 mm, 131 mm, 160 mm, 200 mm			○	○	○	○	○	○	○	○
Additional fixture mounting plate suitable for throat depth frame			○	○	○	○	○	○	○	○
Micrometer stop	○	○	○	○	○	○				

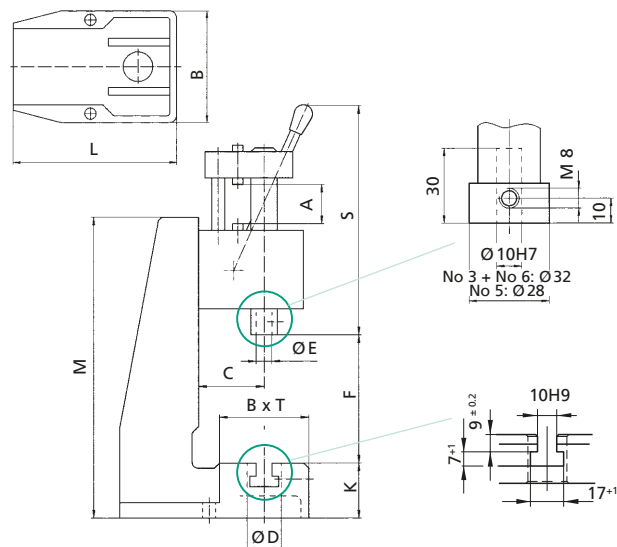
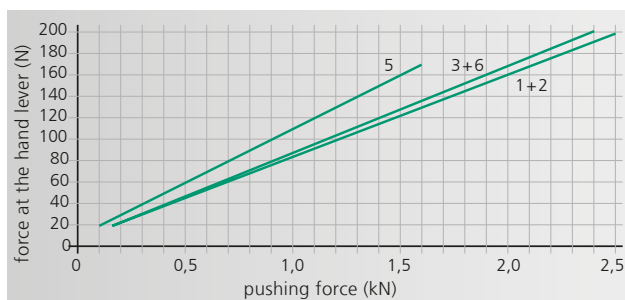
Frame Overview	Press Type	Frame Height M without height adj. (mm)	Table Size B x T (mm)	Table Bore D (Ø mm)	Table Height K (mm)	Mounting Surface B x L (mm)
No. 13	5	330	110 x 80	20H7	46	110 x 185
No. 3	3, 1	400	150 x 110	20H7	60	150 x 260
No. 2	6, 2	536	185 x 110	20H7	60	185 x 280
No. 2-600	3, 6, 1, 2	810	200 x 160	20H7	98	200 x 290
No. 2-1000	3, 6, 1, 2	1250	200 x 160	20H7	98	200 x 290

### Options

- Series with no additional charge ○ Additional charge applies
- <sup>1)</sup> Adjustment of locking position on request
- <sup>2)</sup> The weight was determined with hand lever position 45° forward (guide)
- <sup>3)</sup> Typical values; can vary ± 3 mm due to casting and production tolerances

### Other available options

- Nickel plated – cast parts are electroless nickel plated, steel components black oxide finished, aluminum anodized, precision steel surfaces are untreated
- Custom paint – press and column can be painted to customer's color specification
- Bores for adapting tooling – customer specific sizes can be supplied



Detailed dimensional drawings can be downloaded: [www.schmidttechnology.de](http://www.schmidttechnology.de)

# SCHMIDT® Toggle Presses

The high force at the end of stroke, just where it is important

Do you need a high force at the end of stroke for material transforming processes? Then **SCHMIDT® Toggle Presses** are just the right choice.

## Characteristics

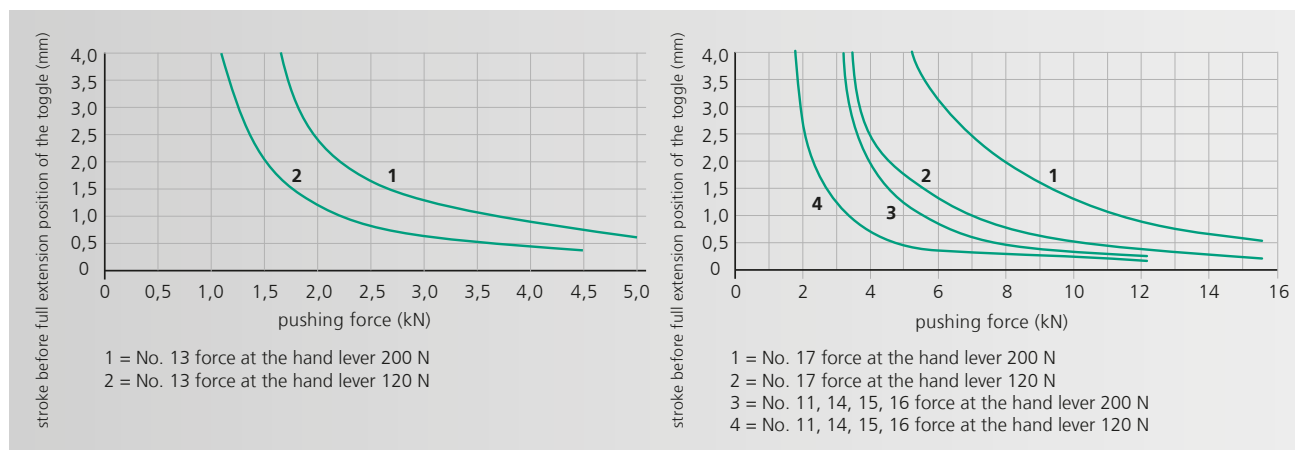
- High force at the end of stroke (see diagram below)
- Honed bores and ground rams provide a long service life and a precise guidance



Press Type 13RFZ



Press Type 11 / 14R -16R



Maximum force will be reached just before extended position

## From 5 kN to 15 kN

Press Type		13 13F	13R 13RF	11 11F	11R 11RF	15 15F	15R 15RF	14 14F	14R 14RF	16 16F	16R 16RF	17 17F
Press head type		13-40 13F-35	13R-40 13RF-35	11-45 11F-35	11R-45 11RF-35	11R-45 11F-35	11R-45 11RF-35	11-60 11F-50	11R-60 11RF-50	11-60 11F-50	11R-60 11RF-50	11-20 11F-20
Nominal force	kN	5	5	12	12	12	12	12	12	12	12	15
Working stroke up to	A mm	40 35	40 35	45 35	45 35 <sup>5)</sup>	45 35 <sup>5)</sup>	45 35 <sup>5)</sup>	60 50	60 50	60 50	60 50	20 20 <sup>5)</sup>
Throat depth	C mm	65	65	86	86	86	86	86	86	86	86	86
Press head height	S mm	385 400	385 400	520 540	520 540	520 540	520 540	500 520	500 520	500 520	500 520	620 640
Ram bore	Ø mm	10H7	10H7	10H7	10H7	10H7	10H7	10H7	10H7	10H7	10H7	10H7
Hand lever left		o		o		o		o		o		
Angle of rotation		95°	95°	110°	110°	110°	110°	125°	125°	125°	125°	90°
Max. weight upper tool <sup>3)</sup> standard / reinforced spring	kg	1.2/3.5 1.5/3	1.2/3.5 1.5/3	2/4.5 2.5/6	2/4 2/6	2/4.5 2.5/6	2/4 2/6	1.5/2.5 2/5	1.5/2.5 1.5/4	1.5/2.5 2/5	1.5/2.5 1.5/4	2.5/- 2.5/-
Return stroke lock <sup>1)</sup>												
Minimum working stroke	mm		25		20		20		24		24	
Locked position 1	mm bef. DC		13.5		12		12		14		14	
Locked position 2	mm bef. DC		1.5		1.5		1.5		1.5		1.5	
Disengaging accuracy	mm		0.03		0.03		0.03		0.04		0.04	
Working height <sup>4)</sup>	F mm											
Frame No. 13	mm	65-180 40-155	65-180 40-155									
Frame No. 3	mm			75-210 50-185	75-210 50-185			90-220 65-195	90-220 65-195			65-200 50-185
Frame No. 5	mm											65-315 50-300
Frame No. 2	mm					100-345 80-325	100-345 80-325			110-360 85-335	110-365 85-335	
Frame No. 2-600 o	mm			200-585 175-560	200-585 175-560	200-585 175-560	200-585 175-560	210-595 185-570	210-595 185-570	210-595 185-570	210-595 185-570	190-575 175-560
Frame No. 2-1000 o	mm			330-1020 305-1000	330-1020 305-1000	330-1020 305-1000	330-1020 305-1000	340-1030 315-1010	340-1030 315-1010	340-1030 315-1010	340-1030 315-1010	315-1015 300-1000
Weight	approx. kg	12	12	23	24	29	29	24	24	29	29	23

Accessories	13 13F	13R 13RF	11 11F	11R 11RF	15 15F	15R 15RF	14 14F	14R 14RF	16 16F	16R 16RF	17 17F
Mechanical counter	o	o	o	o	o	o	o	o	o	o	o
Throat depth frame (total depth) 111 mm, 131 mm			o	o	o	o	o	o	o	o	o
Additional fixture mounting plate suitable for throat depth frame			•	•	•	•	•	•	•	•	•
Block clamping piece <sup>2)</sup>	o o	o o	• •	• •	• •	• •	o o	o o	o o	o o	• •

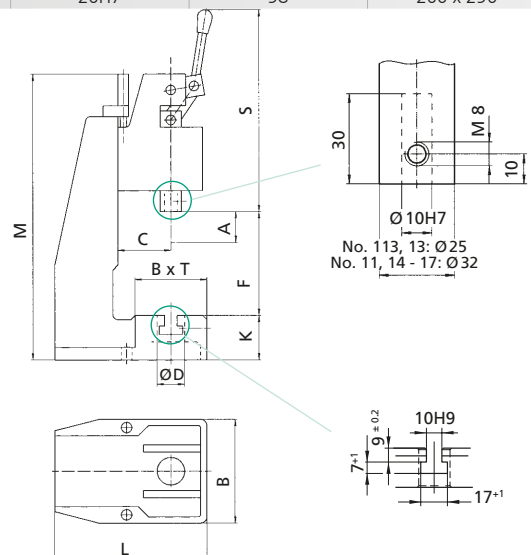
Frame Overview	Press Type	Frame Height M (mm)	Table Size B x T (mm)	Table Bore D (Ø mm)	Table Height K (mm)	Mounting Surface B x L (mm)
No. 13	13	475	110 x 80	20H7	46	110 x 185
No. 3	11, 14, 17	540	150 x 110	20H7	60	150 x 260
No. 5	17	536	185 x 110	20H7	60	185 x 275
No. 2	15, 16	700	185 x 110	20H7	60	185 x 280
No. 2-600	11, 14, 15, 16, 17	974	200 x 160	20H7	98	200 x 290
No. 2-1000	11, 14, 15, 16, 17	1410	200 x 160	20H7	98	200 x 290

### Options

- Series with no additional charge o Additional charge applies
- <sup>1)</sup> Adjustment of locking position on request
- <sup>2)</sup> Stroke reduction about 10 mm by version with additional charge
- <sup>3)</sup> The weight was determined with hand lever position 45° forward (guide)
- <sup>4)</sup> Typical values; can vary ± 3 mm due to casting and production tolerances
- <sup>5)</sup> Stroke adjustable with stop clamp (in the scope of delivery)

### Other available Options

- Nickel plated – cast parts are electroless nickel plated, steel components black oxide finished, aluminum anodized, precision steel surfaces are untreated
- Custom paint – press and column can be painted to customer's color specification
- Bores for adapting tooling – customer specific sizes can be supplied



Detailed dimensional drawings can be downloaded: [www.schmidttechnology.de](http://www.schmidttechnology.de)

# SCHMIDT® Toggle Presses with Horizontal Pull

## The high force at the end of stroke, just where it is important

Do you need a high force at the end of stroke for material transforming processes? Then **SCHMIDT® Toggle Presses** are just the right choice.

### Characteristics

- High force at the end of stroke (see diagram below)
- Honed bores and ground rams provide a long service life and a precise guidance



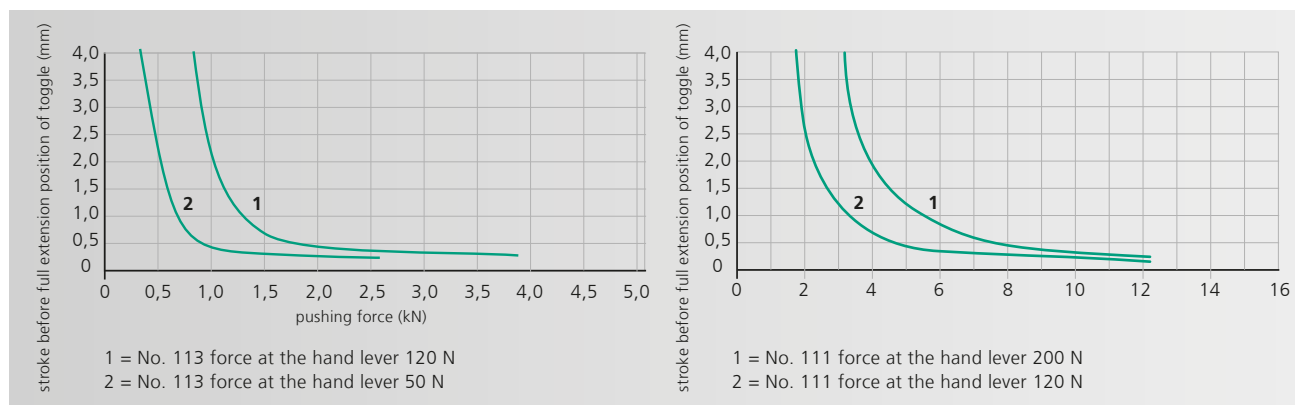
Press Type 113RFZ



Press Type 111RF

### Ergonomic Press with horizontal pull

With press No. 113 and No. 111 the manual force is applied by pulling the lever towards the body. This press is especially suitable for rapid production at small forces. We supply press No. 111 including the ergonomic handle (standard scope of supply).



Maximum force will be reached just before extended position



## From 2.5 kN to 12 kN

Press Type			113 113F	113R 113RF	111 111F	111R 111RF
<b>Press head type</b>			113 113F	113R 113RF	111 - 45 111F - 50	111R - 45 111RF - 50
Nominal force		kN	2.5	2.5	12	12
Working stroke up to <sup>5)</sup>	<b>A</b>	mm	28 28	28 28	45 50	45 50
Throat depth	<b>C</b>	mm	65	65	86	86
Press head height	<b>S</b>	mm	170 180	190 200	215 225	240 250
Ram bore	∅	mm	10H7	10H7	10H7	10H7
Hand lever left			-	-	-	-
Angle of rotation			80°	80°	90°	90°
Max. weight upper tool <sup>3)</sup> standard / reinforced spring		kg	1/3 0.6/3	0.5/2.5 0.6/3	2.5/- 3/-	2.5/- 3/-
<b>Return stroke lock<sup>1)</sup></b>						
Minimum working stroke		mm		22		24
Locked position 1		mm bef. BDC		12		14
Locked position 2		mm bef. BDC		0.5		1.5
Disengaging accuracy		mm		0.03		0.07
<b>Working height<sup>4)</sup></b>	<b>F</b>					
Frame No. 13		mm	50-165 40-155	50-165 40-155		
Frame No. 3		mm			120-205 105-195	120-205 105-195
Frame No. 2		mm			120-345 105-335	120-345 105-335
Frame No. 2-600 ○		mm			200-580 185-570	200-580 185-570
Frame No. 2-1000 ○		mm			330-1020 310-1000	330-1020 310-1000
Weight		approx. kg	11	11	28	28

Accessories	113 113F	113R 113RF	111 111F	111R 111RF
Mechanical counter	○	○	○	○
Throat depth frame (total depth) 111 mm, 131 mm			○	○
Additional fixture mounting plate suitable for throat depth frame			○	○
Block clamping piece <sup>2)</sup>	● ○	● ○	● ○	● ○

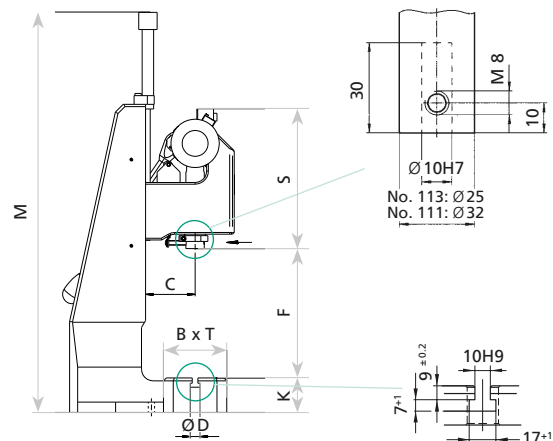
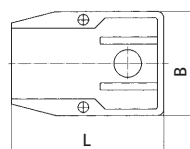
Frame Overview	Press Type	Frame Height M (mm)	Table Size B x T (mm)	Table Bore D (∅ mm)	Table Height K (mm)	Mounting Surface B x L (mm)
No. 13	113	475	110 x 80	20H7	46	110 x 185
No. 3	111	540	150 x 110	20H7	60	150 x 260
No. 2	111	700	185 x 110	20H7	60	185 x 280
No. 2-600	111	974	200 x 160	20H7	98	200 x 290
No. 2-1000	111	1410	200 x 160	20H7	98	200 x 290

### Options

- Series with no additional charge ○ Additional charge applies
- <sup>1)</sup> Adjustment of locking position on request
- <sup>2)</sup> Stroke reduction about 10 mm by version with additional charge
- <sup>3)</sup> The weight was determined with hand lever position 45° back (guide)
- <sup>4)</sup> Typical values; can vary ± 3 mm due to casting and production tolerances
- <sup>5)</sup> Stroke adjustable with stop clamp (in the scope of delivery)

### Other available options

- Nickel plated – cast parts are electroless nickel plated, steel components black oxide finished, aluminum anodized, precision steel surfaces are untreated
- Custom Paint – Press and column can be painted to customer's color specification
- Bores for adapting tooling – customer specific sizes



Detailed dimensional drawings can be downloaded: [www.schmidttechnology.de](http://www.schmidttechnology.de)

# SCHMIDT® Toggle Presses with Square Ram

## Optimum guidance and anti-rotation

Do you need a high force at the end of stroke for material-transforming processes? Then **SCHMIDT® Toggle Presses** are just the right choice.

### Characteristics

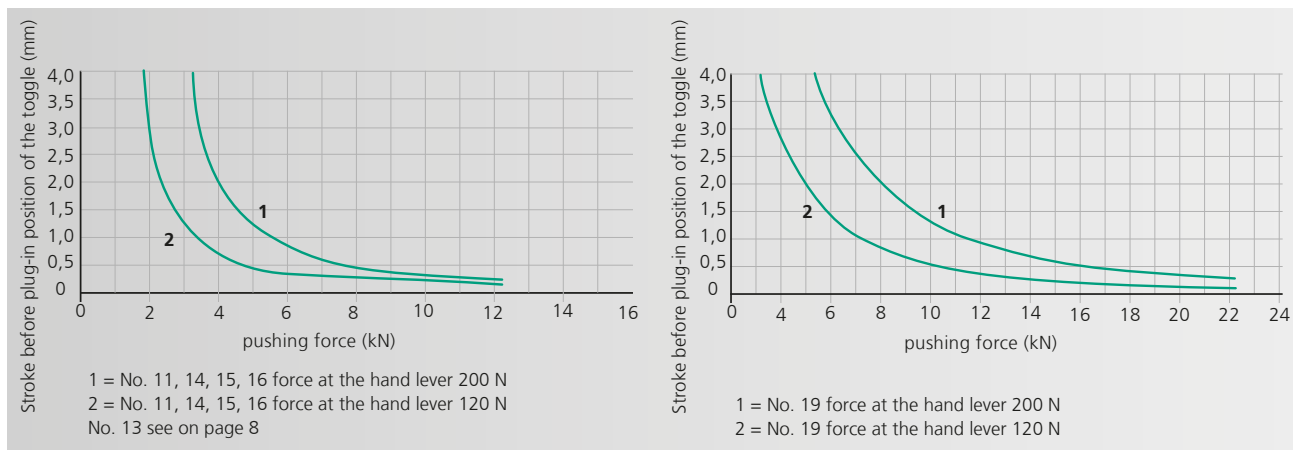
- High force at the end of stroke
- Square ram is anti-rotational (no die sets required)
- Fully adjustable, play-free teflon-lined gibs



Press Type 11 VRZ  
13 VRZ  
14 VRZ

Press Type 15 VF  
16 VF

Press Type 19 VF



Maximum force will be reached just before extended position



## From 5 kN to 22 kN

Press Type		13 V 13 VF	13 VR 13 VRF	11 V 11 VF	15 V 15 VF	11 VR 11 VRF	15 VR 15 VRF	14 V 14 VF	16 V 16 VF	14 VR 14 VRF	16 VR 16 VRF	19 V 19 VF	19 VR 19 VRF
<b>Press head type</b>		13V-40 13VF-40	13VR-40 13VRF-40	11V-45 11VF-45	11V-45 11VF-45	11VR-45 11VRF-45	11VR-45 11VRF-45	11V-60 11VF-60	11V-60 11VF-60	11VR-60 11VRF-60	11VR-60 11VRF-60	19V-40 <sup>1)</sup>	19VR-40 <sup>1)</sup>
Nominal force	kN	5	5	12	12	12	12	12	12	12	12	22	22
Working stroke up to <sup>5)</sup>	A mm	40	40	45	45	45	45	60	60	60	60	40	40
Throat depth	C mm	65	65	86	86	86	86	86	86	86	86	131	131
Press head height	S mm	385 400	385 400	510 530	510 530	510 530	510 530	510 530	510 530	510 530	510 530	620 620	620 620
Ram bore	Ø mm	10H7	10H7	10H7	10H7	10H7	10H7	10H7	10H7	10H7	10H7	20H7	20H7
Hand lever left		○		○	○			○	○			●	●
Angle of rotation		95°	95°	110°	110°	110°	110°	125°	125°	125°	125°	175°	175°
Max. weight upper tool <sup>3)</sup> standard / reinforced spring	kg	1.2/4 2/3.5	1.2/4 2/3.5	1.6/4.2 2/5	1.6/4.2 2/5	1.6/4.2 2/5	1.6/4.2 2/5	1/3.5 1/3.5	1/3.5 1/3.5	1/3.5 1/3.5	1/3.5 1/3.5	2/- 2/-	2/- 2/-
<b>Return stroke lock <sup>2)</sup></b>													
Minimum working stroke	mm		26			20	20			28	28		10
Locked position 1	mm bef. BDC		14.5			12	12			14	14		4.5
Locked position 2	mm bef. BDC		1.5			1.5	1.5			1.5	1.5		0.9
Disengaging accuracy	mm		0.03			0.03	0.03			0.04	0.04		0.02
<b>Working height <sup>4)</sup></b>	F												
Frame No. 13	mm	65-180 50-165	65-180 50-165										
Frame No. 3	mm			80-210 60-190		80-210 60-190		80-210 60-190		80-210 60-190			
Frame No. 2	mm				105-350 85-330		105-350 85-330		105-350 85-330		105-350 85-330		
Frame No. 2-600 ○	mm				200-585 185-570		200-585 185-570		210-590 195-575		210-590 195-575		
Frame No. 2-1000 ○	mm				330-1020 315-1000		330-1020 315-1000		340-1030 325-1015		340-1030 325-1015		
Frame No. 19	mm											90-220	90-220
Frame No. 19-400 ○	mm											160-400	160-400
Frame No. 19-500 ○	mm											260-550	260-550
Weight	approx. kg	12	12	24	32	24	32	24	32	24	32	85	85
Accessories		13 V 13 VF	13 VR 13 VRF	11 V 11 VF	15 V 15 VF	11 VR 11 VRF	15 VR 15 VRF	14 V 14 VF	16 V 16 VF	14 VR 14 VRF	16 VR 16 VRF	19 V 19 VF	19 VR 19 VRF
Mechanical counter		○	○	○	○	○	○	○	○	○	○	○	○
Throat depth frame 111 mm, 131 mm				○	○	○	○	○	○	○	○		
Throat depth frame 151 mm												○	○
Additional fixture mounting plate suitable for throat depth frame				○	○	○	○	○	○	○	○	○	○
Frame Overview		Press Type	Frame Height M (mm)	Table Size B x T (mm)	Table Bore D (Ø mm)	Table Height K (mm)	Mounting Surface B x L (mm)						
No. 13		13	475	110 x 80	20H7	46	110 x 85						
No. 3		11, 14	540	150 x 110	20H7	60	150 x 260						
No. 2		15, 16	700	185 x 110	20H7	60	185 x 280						
No. 2-600 ○		15, 16	974	200 x 160	20H7	98	200 x 290						
No. 2-1000 ○		15, 16	1410	200 x 160	20H7	98	200 x 290						
No. 19		19	640	200 x 160	25H7	112	200 x 370						
No. 19-400 ○		19	840	250 x 200	40H7	145	250 x 460						
No. 19-500 ○		19	1000	250 x 200	40H7	145	250 x 480						

### Options

- Series with no additional charge ○ Additional charge applies

<sup>1)</sup> Special strokes 12 mm and 50 mm on request

<sup>2)</sup> Adjustment of locking position on request

<sup>3)</sup> The weight was determined with hand lever position 45° forward (guide)

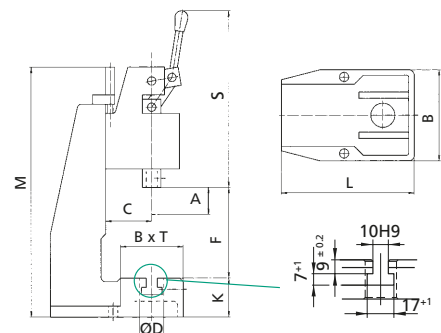
<sup>4)</sup> Typical values; can vary ± 3 mm due to casting and production tolerances

<sup>5)</sup> Stroke adjustable with stop clamp (in the scope of delivery)

<sup>6)</sup> Adjustable stroke

### Other available options

- Nickel plated – cast parts are electroless nickel plated, steel components black oxide finished, aluminum anodized, precision steel surfaces are untreated
- Custom Paint – Press and column can be painted to customer's color specification
- Bores for adapting tooling – customer specific sizes



Detailed dimensional drawings can be downloaded: [www.schmidttechnology.de](http://www.schmidttechnology.de)

# SCHMIDT® CamPress 11N

The best of both worlds

We have merged the best features of the two hand lever press types, the toggle press and the rack and pinion press, and combined them in the **SCHMIDT® CamPress 11N**. Thanks to this clever mechanism, the patented assembly press is characterized by a particularly smooth operation and strong force at the end of the stroke. The sophisticated mechanics make the manual CamPress 11N particularly ergonomic and user-friendly.

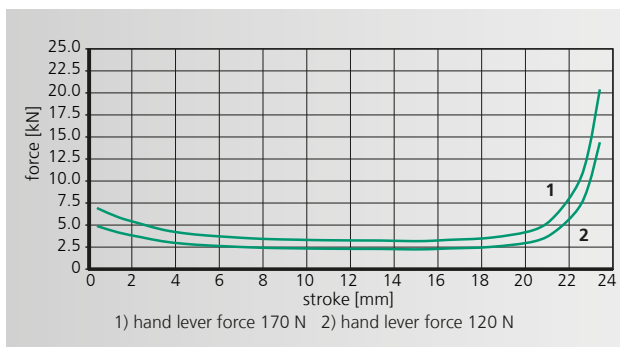
This unique motion creates a high, linear force progression with high breakaway torque at the beginning of the ram movement and a steep force increase at the end of the stroke; and all this with constant hand force.

The use of the balance weights and the ErgoHandle ensures a smooth motion process and ergonomic operation of the hand lever. Both components and height adjustment with the crank lever are part of the standard scope of delivery. Of course, the proven options such as return stroke lock, fine adjustment and mechanical counter can also be used here.

**SCHMIDT® CamPress 11N**  
with return stroke lock and  
fine adjustment



Balance weight and  
ErgoHandle for  
ergonomic operation  
of the hand lever



# SCHMIDT® CamPress 11N

## Examples of process-safe workstations

Press Typ		11N 11NF
Press head type		11N-23 11NF-23
Nominal force	kN	20
Working stroke up to	A mm	23
Throat	C mm	86
Head height	S mm	458 481
Ram bore	Ø mm	10H7
Hand level left		
Rotation angle / stroke	°	180
Max. weight upper tool <sup>3)</sup>	kg	2
<b>Return stroke lock<sup>2)</sup></b>		
Minimum working stroke	mm	10.3
Locked position 1	mm bef. BDC	12.7
Locked position 2	mm bef. BDC	1.8
Disengaging accuracy	mm	0.05
<b>Working height<sup>4)</sup></b>	F	
Frame No 5	mm	75 – 320 55 – 300
Weight	~ kg	40

Option		11N 11NF
Mechanical counter		o

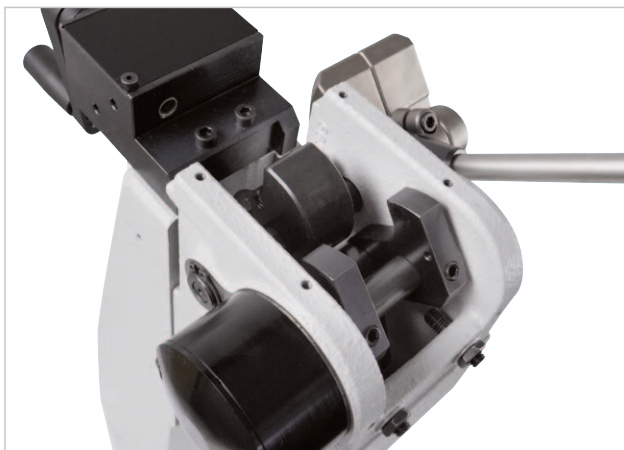
Overview frame	Press Typ	Frame height M (mm)	Table size B x T (mm)	Table bore D (Ø mm)	Table height K (mm)	Footprint B x L (mm)
Nr. 5	11N	587	185 x 110	20H7	60	185 x 273

### Options

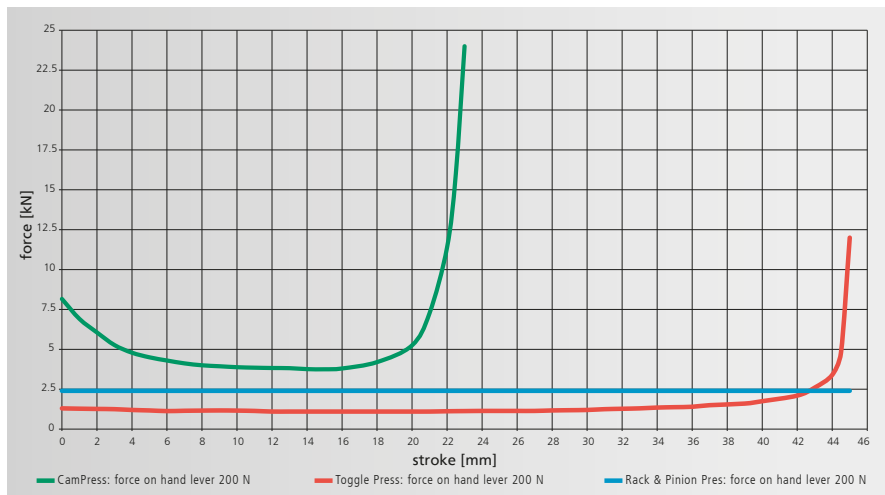
- Series with no additional charge    o Additional charge applies
- <sup>2)</sup> Adjustment of locking position on request
- <sup>3)</sup> The weight was determined with hand lever position 45° forward (guide)
- <sup>4)</sup> Typical values; can vary ± 3 mm due to casting and production tolerances

### Other available options

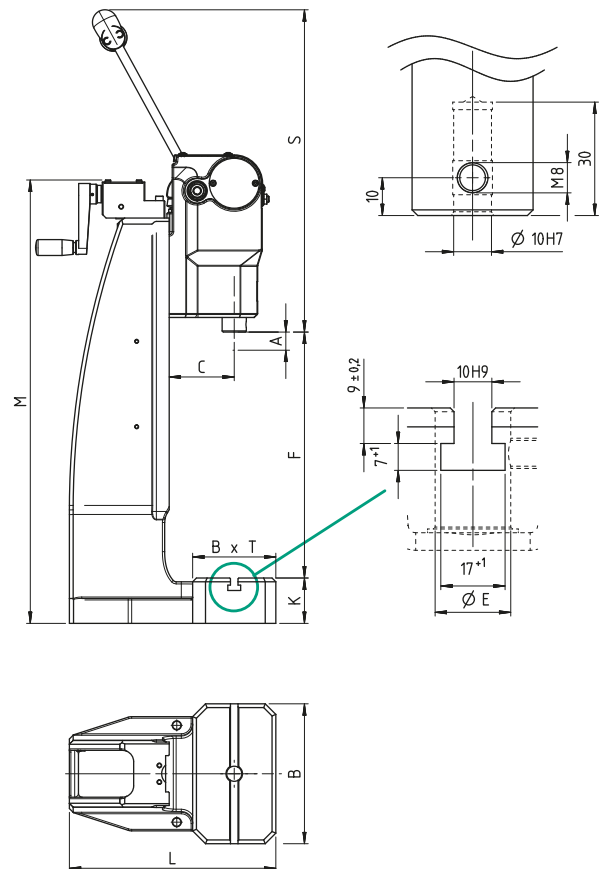
- Nickel plated – cast parts are electroless nickel plated, steel components black oxide finished, aluminum anodized, precision steel surfaces are untreated
- Custom paint – press and column can be painted to customer's color specification
- Bores for adapting tooling – customer specific sizes



Patented mechanics with high force at the end of the stroke

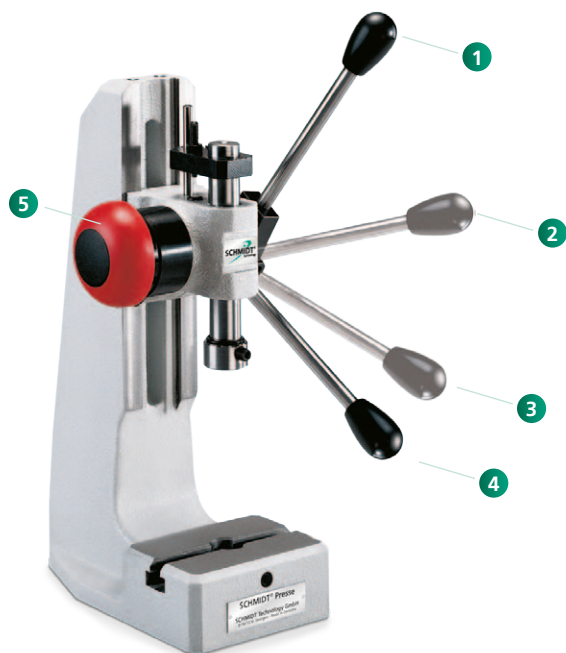


CamPress 11N in comparison to Toggle Press and Rack and Pinion Press



# SCHMIDT® ManualPress

Options suitable for your application



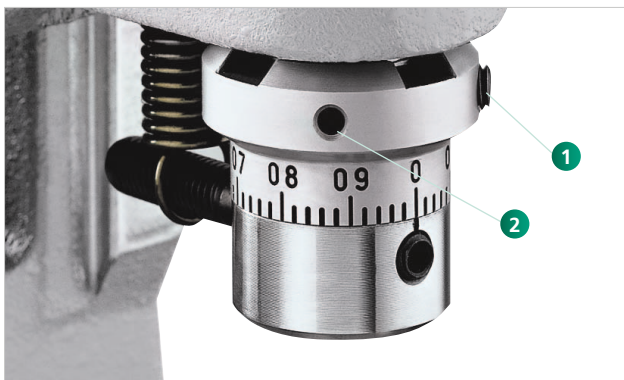
The return stroke lock guarantees reaching the required pressing depth with every stroke

- 1 TDC (Top Dead Center) position
- 2 First locking position: Loose tools can still be aligned
- 3 Second locking position before BDC (Bottom Dead Center). From here you can only continue to BDC.
- 4 After reaching BDC (Bottom Dead Center) and completing the stroke the return stroke lock is released. This guarantees a repeatable BDC and thus a constant press depth
- 5 The emergency button releases the locking function in any position



Fine adjustment with micrometer scale serves as stop for the rack and pinion presses

An optional micrometer adjustable stop developed specifically for applications that need fine adjustment of the BDC. The robust and precise design ensures the repeatability of the stop, no matter how many strokes are taken.



Fine adjustment with micrometer scale for toggle presses

By loosening the set screw 1 and turning the adjusting nut 2 with the same tool, the setting of the BDC can be adjusted infinitely. The adjustment in a range of  $\frac{1}{100}$  of a mm is reached rapidly and precisely.

# SCHMIDT® ManualPress

## Options suitable for your application



**Mechanical counter**  
A four digit counter monitors the number of pieces produced. The counter is provided with a reset function.



**Collet**  
For the rack-and-pinion presses No. 1 and No. 2, collet bore diameter of 1 to 17 mm.



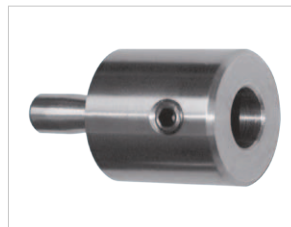
**Throat extension block**  
We offer various sizes for extended throat depths.



**Special fixture mounting plates**  
Special fixture tabletops, designed in conjunction with throat extension blocks, provide ram to table bore alignment when spacer is used.



**Ergonomic left-handed design**  
With most press types, lefthanded or left-/right-handed design is an available option.



**Upper tooling adapter**  
Adapter for tools with a diameter of 5 - 20 mm.



**Nickel plated design**  
Press frames and cast parts are electroless nickel-plated, steel components are black oxide finished, aluminum parts are anodized, precision steel surfaces are untreated.



**Ergonomic handle**  
Swivelling handle for improved comfort; easy and flexible assembly on the hand lever.



**Press base**  
Plastic (250 x 340 mm), including fasteners.



**Stop clamp**  
For Toggle Presses.

### How to order

#### Order key for press options

R = incl. return stroke lock with emergency release  
F = incl. fine adjustment with micrometer scale  
Z = incl. mechanical counter  
RF= incl. return stroke lock with emergency release and fine adjustment

### Order example

No. 3 R = **SCHMIDT® Rack-and-Pinion Press No. 3**  
incl. return stroke lock with emergency release

or

No. 13 RFZ = **SCHMIDT® Toggle Press No. 13**  
incl. return stroke lock with emergency release, fine adjustment and mechanical counter



# SCHMIDT® ManualPress 300 Series

## Manual Presses with Process Monitoring

Process reliability, force/stroke monitoring of the joining process and EN ISO-compatible documentation of the results are becoming the major factors for small and medium production within the manual workplace.

**Process reliability – not just a slogan**

The system software allows easy setup of quality control criteria for 100 % in-process monitoring.

The **SCHMIDT® ManualPress 300 Series** system with **SCHMIDT® PressControl 700** includes:

- Integrated reliable measuring technology
- High resolution of the obtained process data
- Graphical and numerical output of the processing results
- Quality monitoring using freely selectable tolerances



Assembly system with patented return stroke lock and programmable clutch.



# SCHMIDT® ManualPress 300 Series

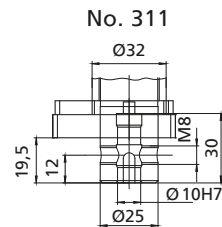
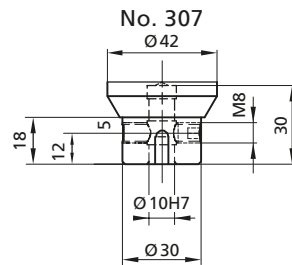
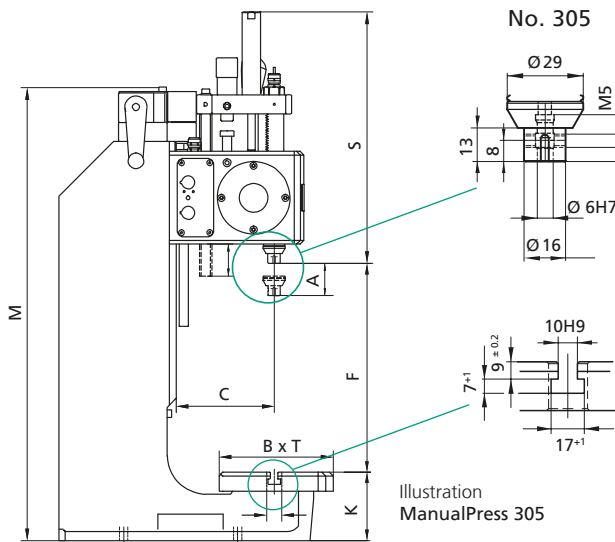
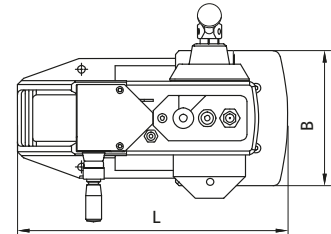
Process reliability for manual workplaces, force range 0.4 kN to 12 kN

## Characteristics

- Linear force progression for No. 305 and No. 307
- High force at the end of stroke for No. 311
- Precise adjustment of the press depth via micrometer fine adjustment
- Guides require little maintenance, have little wear and are locked against rotation. This results in precise working and a long service life
- Optimum guidance and clamping due to dovetail guide on the press head
- Quick set-up
  - Exact alignment of ram bore to the table within 0.05 mm
  - Height adjustment using a crank
  - Precision bores in ram and column base plate

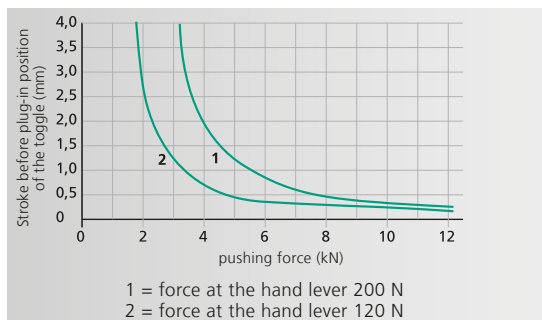
## Functional components

- Electronic stroke lock
- Integrated transducer
  - Force sensor
  - Incremental encoder
- Integrated signal amplifier
- Programmable overload coupling



Press Type		305	307	311
Nominal force	kN	0.4	4	12
force at the hand lever	approx. N	50	200	200
Working stroke up to	A mm	42 <sup>5)</sup>	54 <sup>5)</sup>	50
Throat depth	C mm	129	129	129
Press head height	S mm	310	417	555
Ram bore	Ø mm	6H7	10H7	10H7
Stroke fine adjustment	mm	0.02	0.02	0.02
Stroke resolution	mm	0.005	0.005	0.005
Angle of rotation/mm stroke		3.3°	4.8°	non linear
Resolution, process data acquisition	strokeµm/inc force N/inc	5 0.125	5 1.25	5 3.5
Working height <sup>4)</sup>	F			
Frame No. 7-420	mm	60-420	50-410	50-290
Frame No. 7-600 <sup>2)</sup>	mm	90-600	80-600	80-480
Max. weight upper tool <sup>3)</sup>	kg	0.6	1	1.3
Weight	approx. kg	41	41	60
Protection type		IP 54	IP 54	IP 54
<b>Accessories</b>				
Stronger return assist spring		○	○	
Speed control		○	○	
Throat depth frame <sup>1)</sup> (total depth)		○	○	
		169, 209, 249 mm		

## ManualPress 311



Maximum force will be reached just before extended position

Frame Overview	Press Type	Frame Height M (mm)	Table Size B x T (mm)	Table bore D Ø mm	Table Height K (mm)	Mounting Surface B x L (mm)
No. 7-420	305, 307, 311	740	180 x 150	20H7	90	220 x 362
No. 7-600 ○	305, 307, 311	960	180 x 280	20H7	110	220 x 465

## Options

- Additional charge applies
- <sup>1)</sup> Throat depth frame only available with frame No. 7-600
- <sup>2)</sup> Increased throat and higher frame lead to smaller nominal forces for No. 311
- <sup>3)</sup> The weight was determined with hand lever position 45° forward (guide)
- <sup>4)</sup> Typical values; can vary ± 3 mm due to casting and production tolerances
- <sup>5)</sup> Adjustable stroke

## Other available Options:

- Nickel plated – cast parts are electroless nickel plated, steel components black oxide finished, aluminum anodized, precision steel surfaces are untreated
- Custom paint – press and column can be painted to customer's color specification
- Bores for adapting tooling – customer specific sizes can be supplied

# SCHMIDT® ManualPress 300 Series

Options suitable for your application



## Control mounting bracket

Used for fastening the **SCHMIDT® PressControl 700**, either mounted to the table or to the wall. The mounting bracket permits the unit to pivot 70° (included with control).



## External reset button

We recommend an external reset button in rough production environments.



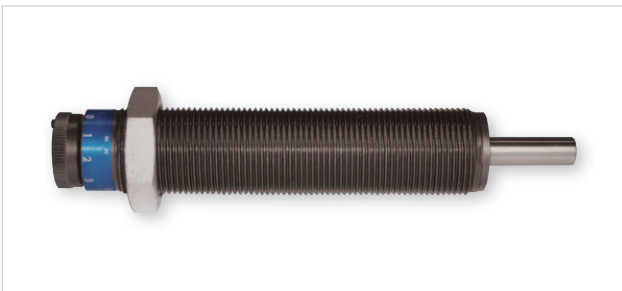
## Calibration tool

The calibration tool is a device with which a constantly defined force is applied to the load cell of the **SCHMIDT® ManualPress Serie 300 Series**. In order to complete calibration, either a **SCHMIDT® LoadCheck** or a customer supplied calibration device is required. Photo on left side shows the device for the **SCHMIDT® ManualPress 305**. The right side is for **SCHMIDT® ManualPress 307**. The **SCHMIDT® ManualPress 311** is calibrated by using the fine adjustment mechanism in BDC.



## EtherCAT Compact Box

8 digital channels, usable as inputs or outputs, signal connection by screwing via M8 plug connector, power supply (24 V) via EtherCAT-P, load currents of the outputs up to 0.5 A, total current of all outputs 3 A



## Speed control

To achieve a very high repeatability when pressing to a force or stroke, the optional speed control can be added to provide hydraulic resistance to the ram movement over a targeted length at the end of the stroke.



## Ergonomic handle

Swivelling handle for improved comfort; easy and flexible assembly on the hand lever.



## Press base

Plastic (250 x 340 mm), incl. fasteners.