

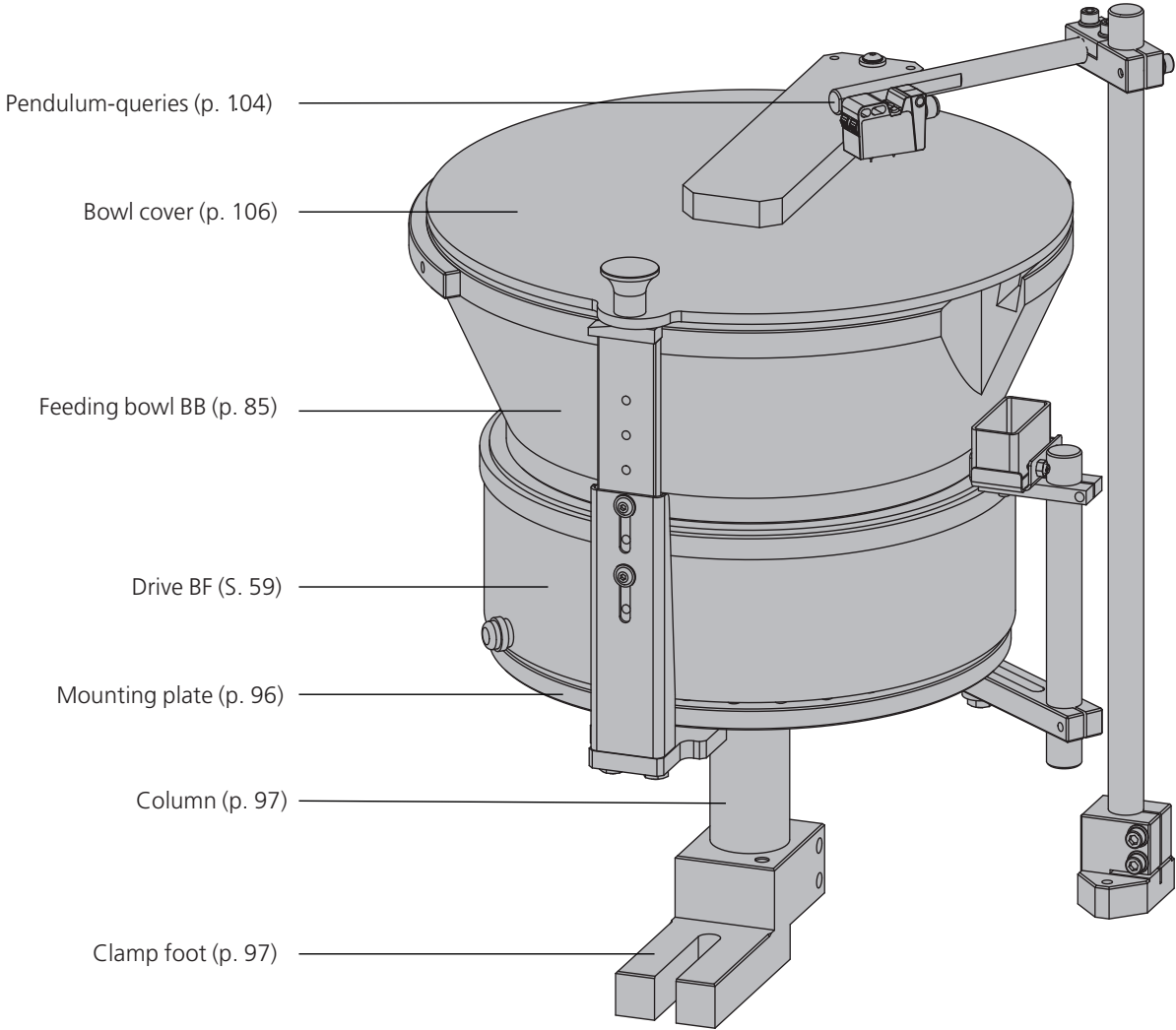
Drives

BF10 - BF15

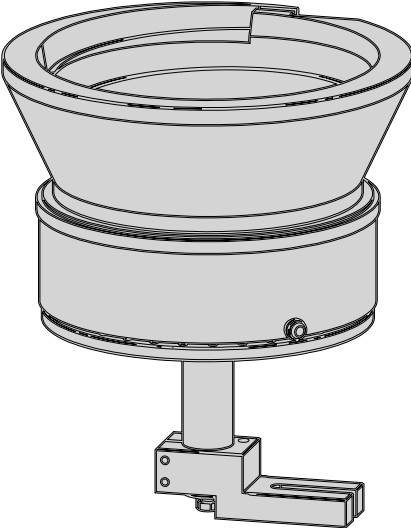


- Vibration compensation in the drive unit
- Minimal gaps at the transitions
- Closed design

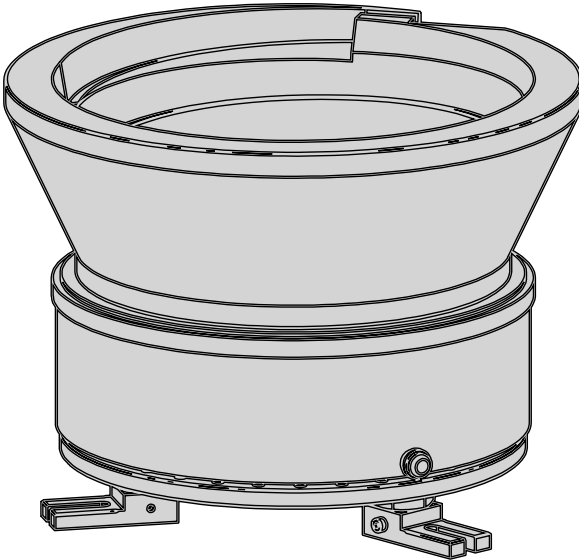
Overview



For the attachment of the BF 2 variants are possible:

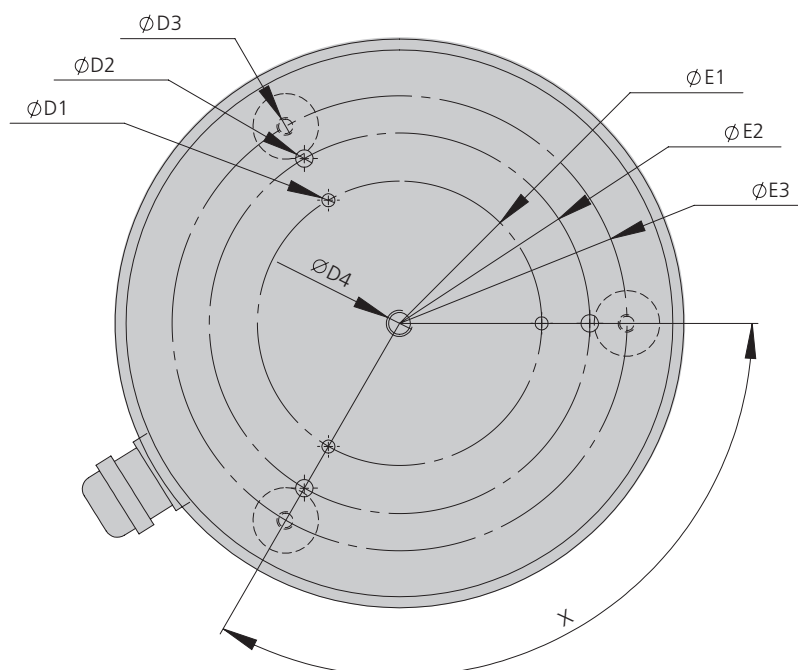
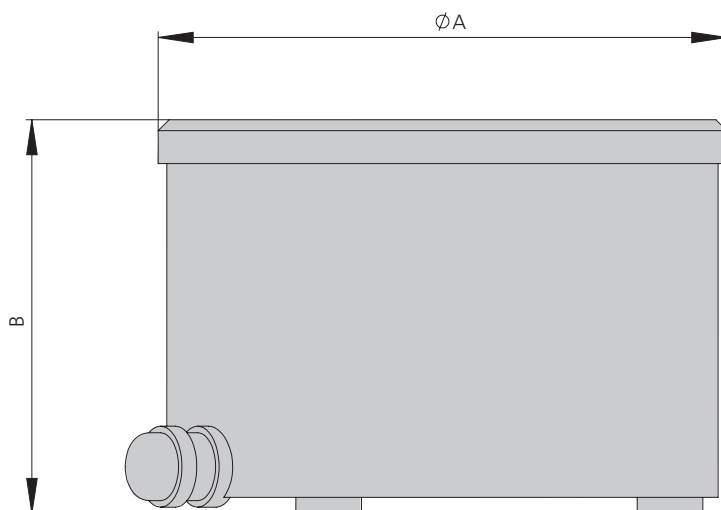


Construction with fixing plate, column and mounting attachment



Construction with leveling feet

Type	BF10	BF15
A	104 mm	130 mm
B	64 mm	90 mm
D1	3H7	3H7
D2	3H7	4H7
D3	3 x M4	3 x M4
D4	M6	M6
E1	51 mm	65 mm
E2	65 mm	87 mm
E3	70 mm	104 mm
X	120 °	120 °





BF10 - BF15	
Operating temperature	10 - 45 °C

Type	BF10	BF10	BF10	BF10
Order number	50042183	50028522	50042179	50042180
Mechanical vibration frequency	100 Hz	100 Hz	120 Hz	120 Hz
Mains connection (mains voltage/mains frequency)	230 V/50 Hz	230 V/50 Hz	115 V/60 Hz	115 V/60 Hz
Max. power consumption	11 VA	11 VA	11 VA	11 VA
Net weight	2.2 kg	2.2 kg	2.2 kg	2.2 kg
Admissible bowl weight $\pm 30\%$	0.16 kg	0.16 kg	0.16 kg	0.16 kg
Admissible moment of inertia $\pm 10\%$	0.3 kgdm ²	0.3 kgdm ²	0.3 kgdm ²	0.3 kgdm ²
Angle of the gradient of the leaf springs	12 °	12 °	12 °	12 °
Delivery direction	right	left	right	left
Protection type	IP54	IP54	IP54	IP54

Type	BF15	BF15	BF15	BF15
Order number	50042190	50029786	50042186	50042187
Mechanical vibration frequency	100 Hz	100 Hz	120 Hz	120 Hz
Mains connection (mains voltage/mains frequency)	230 V/50 Hz	230 V/50 Hz	115 V/60 Hz	115 V/60 Hz
Max. power consumption	27.5 VA	27.5 VA	27.5 VA	27.5 VA
Net weight	4.7 kg	4.7 kg	4.7 kg	4.7 kg
Admissible bowl weight $\pm 30\%$	0.55 kg	0.55 kg	0.55 kg	0.55 kg
Admissible moment of inertia $\pm 10\%$	0.12 kgdm ²	0.12 kgdm ²	0.12 kgdm ²	0.12 kgdm ²
Angle of the gradient of the leaf springs	12 °	12 °	12 °	12 °
Delivery direction	right	left	right	left
Protection type	IP54	IP54	IP54	IP54

Included in delivery

- 6x Leaf spring BF
- 12x Spacer BF

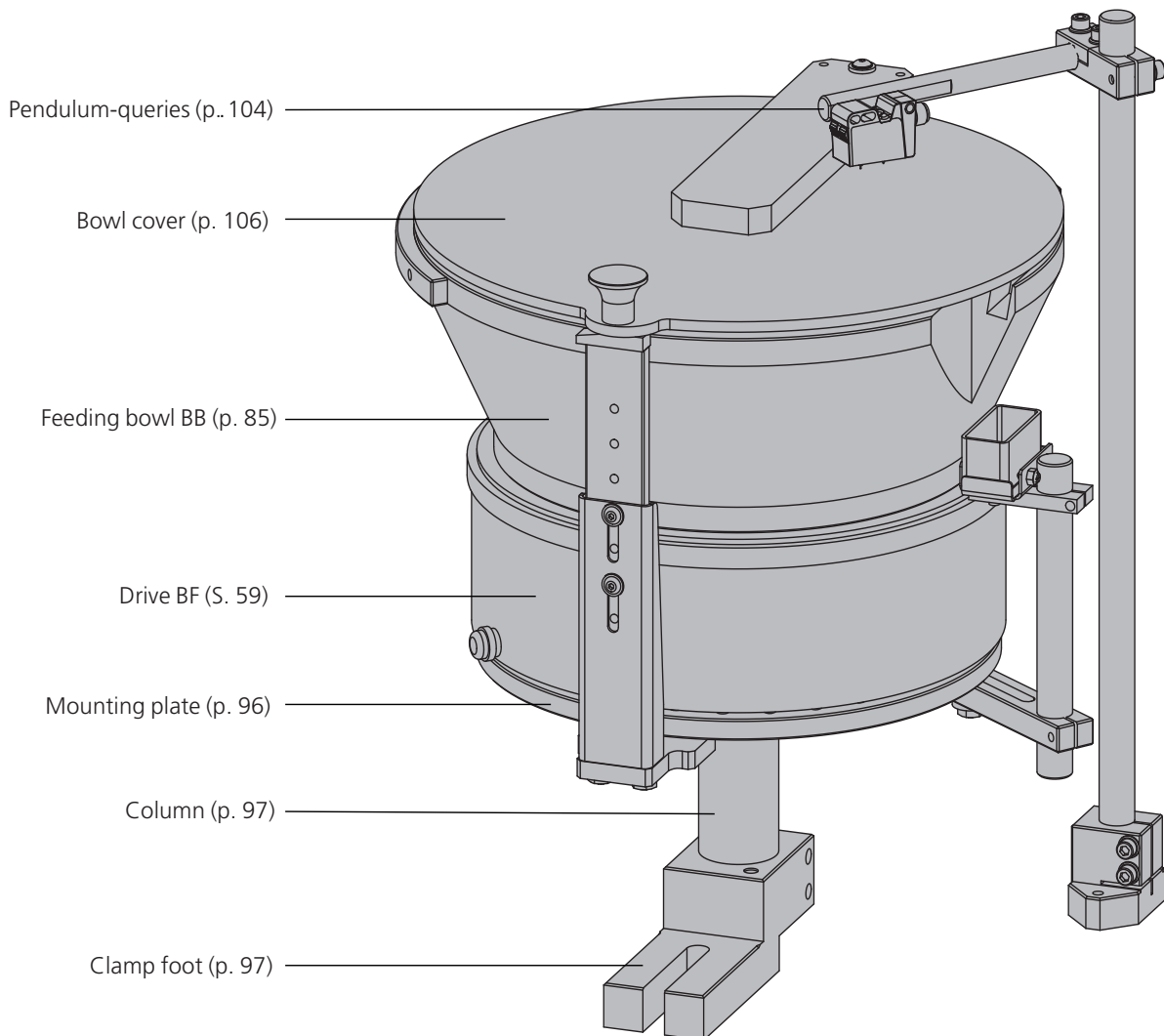
Drives

BF20 - BF50

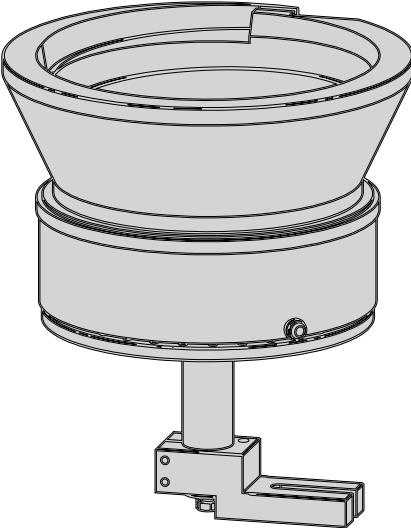


- Vibration compensation in the drive unit
- Minimal gaps at the transitions
- Closed design

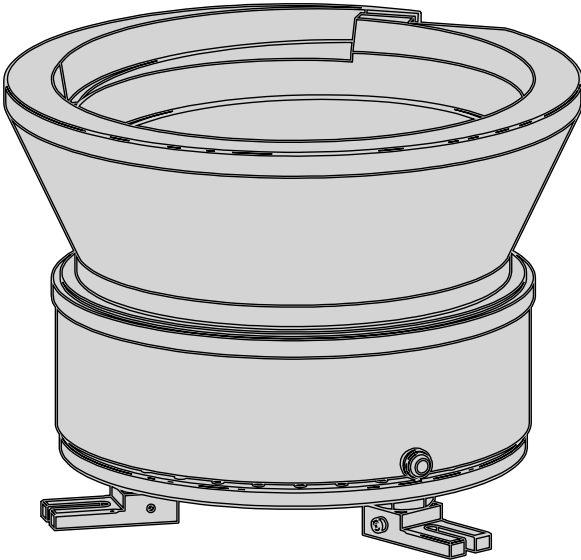
Overview



For the attachment of the BF 2 variants are possible:

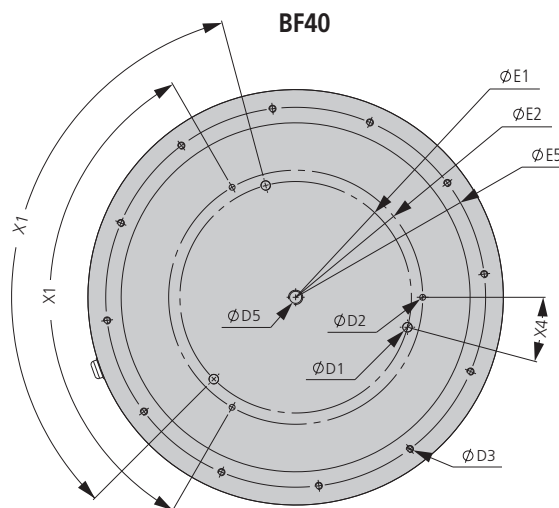
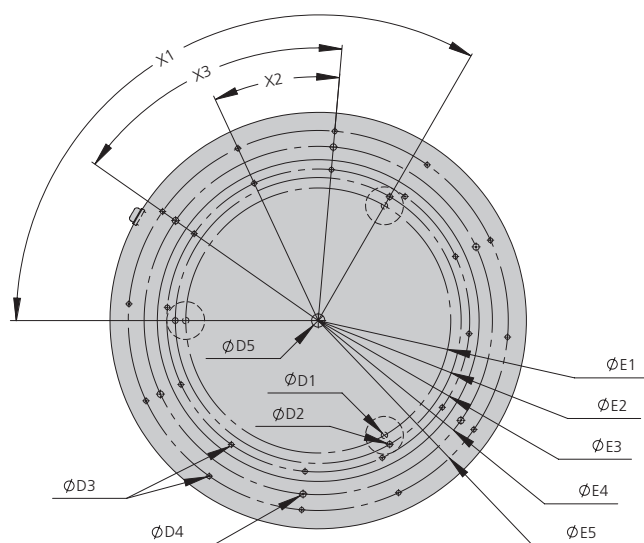
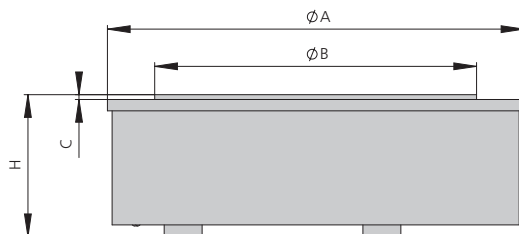


Construction with fixing plate, column and mounting attachment



Construction with leveling feet

Type	BF20	BF25	BF30	BF35	BF40	BF50
A	180 mm	224 mm	265 mm	305 mm	350 mm	440 mm
B	146 mm	194 mm	194 mm	294 mm	294 mm	340 mm
C	2 mm	2 mm	2.5 mm	3 mm	3 mm	5 mm
D1	3 x M6	3 x M6	3 x M8	3 x M8	3 x M8	3 x M8
D2	4H7	4H7	5H7	5H7	5H7	6H7
D3	---	---	M6	M6	M6	M6
D4	---	5H7	5H7	5H7	---	M6
D5	M8	M10	M10	M10	M12	M16
E1	120 mm	120 mm	195 mm	195 mm	195 mm	280 mm
E2	87 mm	140 mm	140 mm	162 mm	214 mm	302 mm
E3	---	---	---	---	---	320 mm
E4	---	162 mm	162 mm	214 mm	---	---
E5	---	---	186 mm	186 mm	320 mm	400 mm
H	90 mm	93 mm	100 mm	103 mm	112 mm	150 mm
X1	120 °	120 °	120 °	120 °	120 °	120 °
X2	---	---	90 °	90 °	30 °	30 °
X3	---	---	---	---	---	30 °
X4	---	---	---	---	15 °	---



Technical data

BF20 - BF25



2

BF20 - BF25								
Operating temperature	10 - 45 °C							
Type	BF20	BF20	BF20	BF20	BF20	BF20	BF20	BF20
Order number	50028117	50028118	50042197	50032808	50042193	50042194	50042195	50042196
Mechanical vibration frequency	100 Hz	100 Hz	100 Hz	100 Hz	120 Hz	120 Hz	120 Hz	120 Hz
Mains connection (mains voltage/ mains frequency)	230 V/ 50 Hz	230 V/ 50 Hz	230 V/ 50 Hz	230 V/ 50 Hz	115 V/ 60 Hz	115 V/ 60 Hz	115 V/ 60 Hz	115 V/ 60 Hz
Max. power consumption	69 VA	69 VA	69 VA	69 VA	69 VA	69 VA	69 VA	69 VA
Net weight	6.9 kg	6.9 kg	6.8 kg	6.8 kg	7 kg	7 kg	6.9 kg	6.9 kg
Admissible bowl weight $\pm 30\%$	2 kg	2 kg	2 kg	2 kg	2 kg	2 kg	2 kg	2 kg
Admissible moment of inertia $\pm 10\%$	1 kgdm ²	1 kgdm ²	1 kgdm ²	1 kgdm ²	1 kgdm ²	1 kgdm ²	1 kgdm ²	1 kgdm ²
Angle of the gradient of the leaf springs	12 °	12 °	18 °	18 °	12 °	12 °	18 °	18 °
Delivery direction	right	left	right	left	right	left	right	left
Protection type	IP54	IP54	IP54	IP54	IP54	IP54	IP54	IP54
Type	BF25	BF25	BF25	BF25	BF25	BF25	BF25	BF25
Order number	50028101	50028100	50030815	50030814	50042198	50042199	50042200	50042201
Mechanical vibration frequency	100 Hz	100 Hz	100 Hz	100 Hz	120 Hz	120 Hz	120 Hz	120 Hz
Mains connection (mains voltage/ mains frequency)	230 V/ 50 Hz	230 V/ 50 Hz	230 V/ 50 Hz	230 V/ 50 Hz	115 V/ 60 Hz	115 V/ 60 Hz	115 V/ 60 Hz	115 V/ 60 Hz
Max. power consumption	69 VA	69 VA	69 VA	69 VA	69 VA	69 VA	69 VA	69 VA
Net weight	10.3 kg	10.3 kg	10.2 kg	10.2 kg	10.6 kg	10.6 kg	10.4 kg	10.4 kg
Admissible bowl weight $\pm 30\%$	3 kg	3 kg	3 kg	3 kg	3 kg	3 kg	3 kg	3 kg
Admissible moment of inertia $\pm 10\%$	2.2 kgdm ²	2.2 kgdm ²	2.2 kgdm ²	2.2 kgdm ²	2.2 kgdm ²	2.2 kgdm ²	2.2 kgdm ²	2.2 kgdm ²
Angle of the gradient of the leaf springs	12 °	12 °	18 °	18 °	12 °	12 °	18 °	18 °
Delivery direction	right	left	right	left	right	left	right	left
Protection type	IP54	IP54	IP54	IP54	IP54	IP54	IP54	IP54

Included in delivery

- 6x Leaf spring BF
- 12x Spacer BF

Technical data

BF30 - BF35



BF30 - BF35								
Operating temperature								10 - 45 °C

Type	BF30	BF30	BF30	BF30	BF30	BF30	BF30	BF30
Order number	50013729	50013728	50027880	50027872	50042202	50042203	50042204	50042205
Mechanical vibration frequency	100 Hz	100 Hz	100 Hz	100 Hz	120 Hz	120 Hz	120 Hz	120 Hz
Mains connection (mains voltage/ mains frequency)	230 V/ 50 Hz	230 V/ 50 Hz	230 V/ 50 Hz	230 V/ 50 Hz	115 V/ 60 Hz	115 V/ 60 Hz	115 V/ 60 Hz	115 V/ 60 Hz
Max. power consumption	135 VA	135 VA	135 VA	135 VA	135 VA	135 VA	135 VA	135 VA
Net weight	14.4 kg	14.4 kg	14.3 kg	14.3 kg	14.8 kg	14.8 kg	14.6 kg	14.6 kg
Admissible bowl weight $\pm 30\%$	4 kg	4 kg	4 kg	4 kg	4 kg	4 kg	4 kg	4 kg
Admissible moment of inertia $\pm 10\%$	4.5 kgdm ²	4.5 kgdm ²	4.5 kgdm ²	4.5 kgdm ²	4.5 kgdm ²	4.5 kgdm ²	4.5 kgdm ²	4.5 kgdm ²
Angle of the gradient of the leaf springs	12 °	12 °	18 °	18 °	12 °	12 °	18 °	18 °
Delivery direction	right	left	right	left	right	left	right	left
Protection type	IP54	IP54	IP54	IP54	IP54	IP54	IP54	IP54

Type	BF35	BF35	BF35	BF35	BF35	BF35	BF35	BF35
Order number	50017360	50017358	50029657	50029648	50042206	50042207	50042208	50042209
Mechanical vibration frequency	100 Hz	100 Hz	100 Hz	100 Hz	120 Hz	120 Hz	120 Hz	120 Hz
Mains connection (mains voltage/ mains frequency)	230 V/ 50 Hz	230 V/ 50 Hz	230 V/ 50 Hz	230 V/ 50 Hz	115 V/ 60 Hz	115 V/ 60 Hz	115 V/ 60 Hz	115 V/ 60 Hz
Max. power consumption	135 VA	135 VA	135 VA	135 VA	135 VA	135 VA	135 VA	135 VA
Net weight	21.1 kg	21.1 kg	21 kg	21 kg	21.5 kg	21.5 kg	21.3 kg	21.3 kg
Admissible bowl weight $\pm 30\%$	6 kg	6 kg	6 kg	6 kg	6 kg	6 kg	6 kg	6 kg
Admissible moment of inertia $\pm 10\%$	8.8 kgdm ²	8.8 kgdm ²	8.8 kgdm ²	8.8 kgdm ²	8.8 kgdm ²	8.8 kgdm ²	8.8 kgdm ²	8.8 kgdm ²
Angle of the gradient of the leaf springs	12 °	12 °	18 °	18 °	12 °	12 °	18 °	18 °
Delivery direction	right	left	right	left	right	left	right	left
Protection type	IP54	IP54	IP54	IP54	IP54	IP54	IP54	IP54

Included in delivery

- 6x Leaf spring BF
- 12x Spacer BF



BF40 - BF50								
Operating temperature								10 - 45 °C
Type	BF40	BF40	BF40	BF40	BF40	BF40	BF40	BF40
Order number	50026172	50026171	50030826	50030825	50042210	50042211	50042212	50042213
Mechanical vibration frequency	100 Hz	100 Hz	100 Hz	100 Hz	120 Hz	120 Hz	120 Hz	120 Hz
Mains connection (mains voltage/ mains frequency)	230 V/ 50 Hz	230 V/ 50 Hz	230 V/ 50 Hz	230 V/ 50 Hz	115 V/ 60 Hz	115 V/ 60 Hz	115 V/ 60 Hz	115 V/ 60 Hz
Max. power consumption	180 VA	180 VA	180 VA	180 VA	180 VA	180 VA	180 VA	180 VA
Net weight	30.3 kg	30.3 kg	30.3 kg	30.3 kg	31.1 kg	31.1 kg	30.9 kg	30.9 kg
Admissible bowl weight $\pm 30\%$	9 kg	9 kg	9 kg	9 kg	9 kg	9 kg	9 kg	9 kg
Admissible moment of inertia $\pm 10\%$	17 kgdm ²	17 kgdm ²	17 kgdm ²	17 kgdm ²	17 kgdm ²	17 kgdm ²	17 kgdm ²	17 kgdm ²
Angle of the gradient of the leaf springs	12 °	12 °	18 °	18 °	12 °	12 °	18 °	18 °
Delivery direction	right	left	right	left	right	left	right	left
Protection type	IP54	IP54	IP54	IP54	IP54	IP54	IP54	IP54
Type	BF50	BF50	BF50	BF50	BF50	BF50	BF50	BF50
Order number	50028132	50028133	50031621	50031622	50042214	50042215	50042216	50042217
Mechanical vibration frequency	100 Hz	100 Hz	100 Hz	100 Hz	120 Hz	120 Hz	120 Hz	120 Hz
Mains connection (mains voltage/ mains frequency)	230 V/ 50 Hz	230 V/ 50 Hz	230 V/ 50 Hz	230 V/ 50 Hz	115 V/ 60 Hz	115 V/ 60 Hz	115 V/ 60 Hz	115 V/ 60 Hz
Max. power consumption	950 VA	950 VA	950 VA	950 VA	950 VA	950 VA	950 VA	950 VA
Net weight	63.3 kg	63.3 kg	62.4 kg	62.4 kg	65.4 kg	65.4 kg	64.4 kg	64.4 kg
Admissible bowl weight $\pm 30\%$	20 kg	20 kg	20 kg	20 kg	20 kg	20 kg	20 kg	20 kg
Admissible moment of inertia $\pm 10\%$	65 kgdm ²	65 kgdm ²	65 kgdm ²	65 kgdm ²	65 kgdm ²	65 kgdm ²	65 kgdm ²	65 kgdm ²
Angle of the gradient of the leaf springs	12 °	12 °	18 °	18 °	12 °	12 °	18 °	18 °
Delivery direction	right	left	left	right	right	left	right	left
Protection type	IP54	IP54	IP54	IP54	IP54	IP54	IP54	IP54

Included in delivery

- 6x Leaf spring BF
- 12x Spacer BF