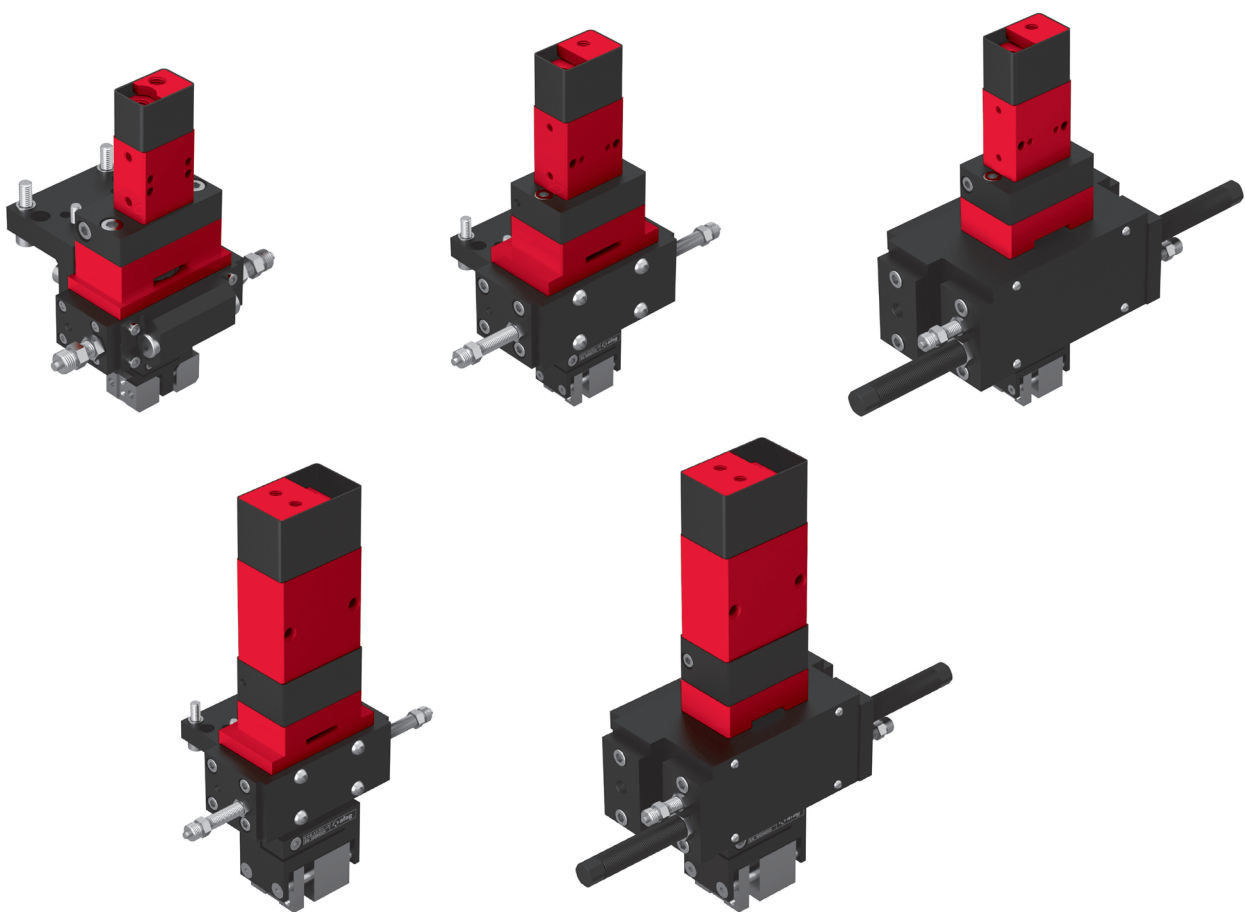


# Gripping rotary module GMQ/RM

GMQ 12/RM 12 - GMQ 32/RM 25



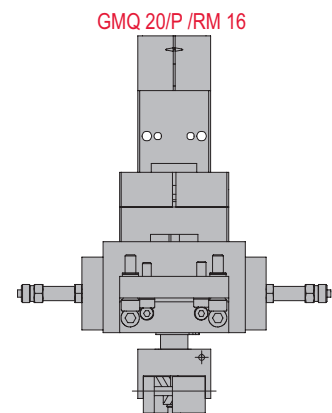
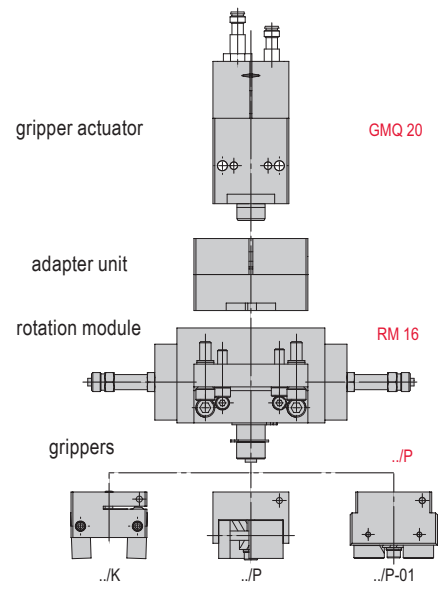
## Table of contents: GMQ/RM

<b>Gripping rotary modules GMQ/RM</b>	<b>Page</b>
GMQ 12/RM 12	188
GMQ 20/RM 16	192
GMQ 20/RM 25	196
GMQ 32/RM 16	200
GMQ 32/RM 25	204

# Nomenclature-Setup

## GMQ/RM

GMQ 20/P /RM 16	Gripping rotary module	Possible specifications
GMQ	gripper actuator	GMQ
20	piston diameter gripper actuator	12
		20
		32
P	gripper	../K
		../P
		../P-01
RM	rotation module	RM
		RMZ
		RMZ../1
		RMZ../2
16	size rotation module	12
		16
		25

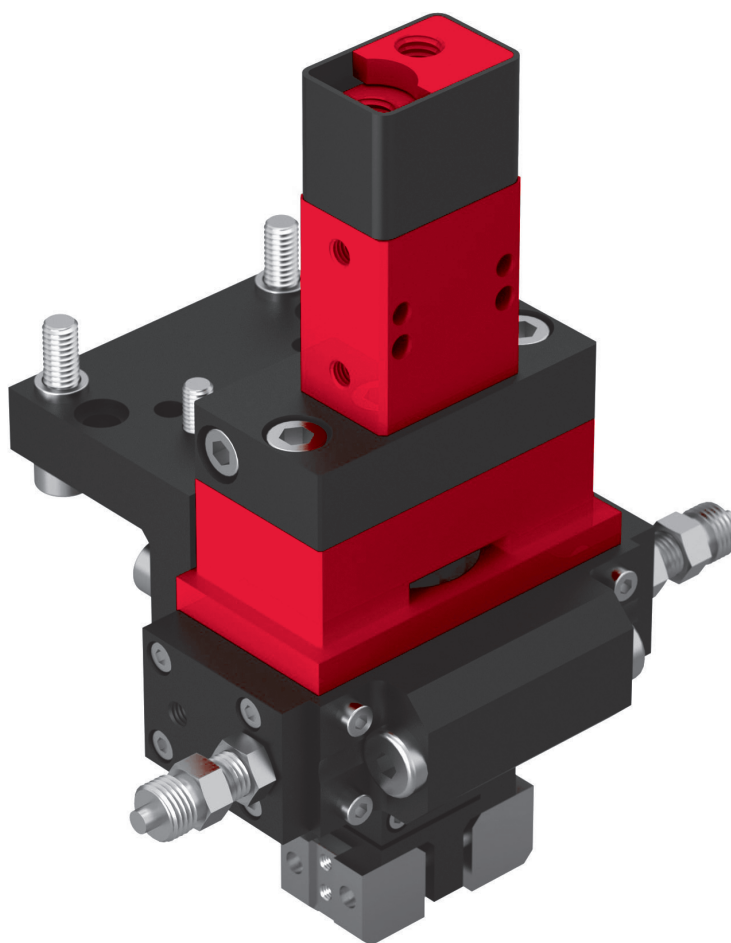


The advantage of Afag gripper modules being divided into gripper actuators and grippers comes into full effect with the gripping and rotation modules. The desired gripper actuator is attached via an adapter unit behind the rotation module. Therefore, no pneumatic and electrical connections rotate during a rotational movement. The grippers are fitted at the front to the desired rotation module from Afag's wide range of products. This facilitates rotational movement of the grippers.

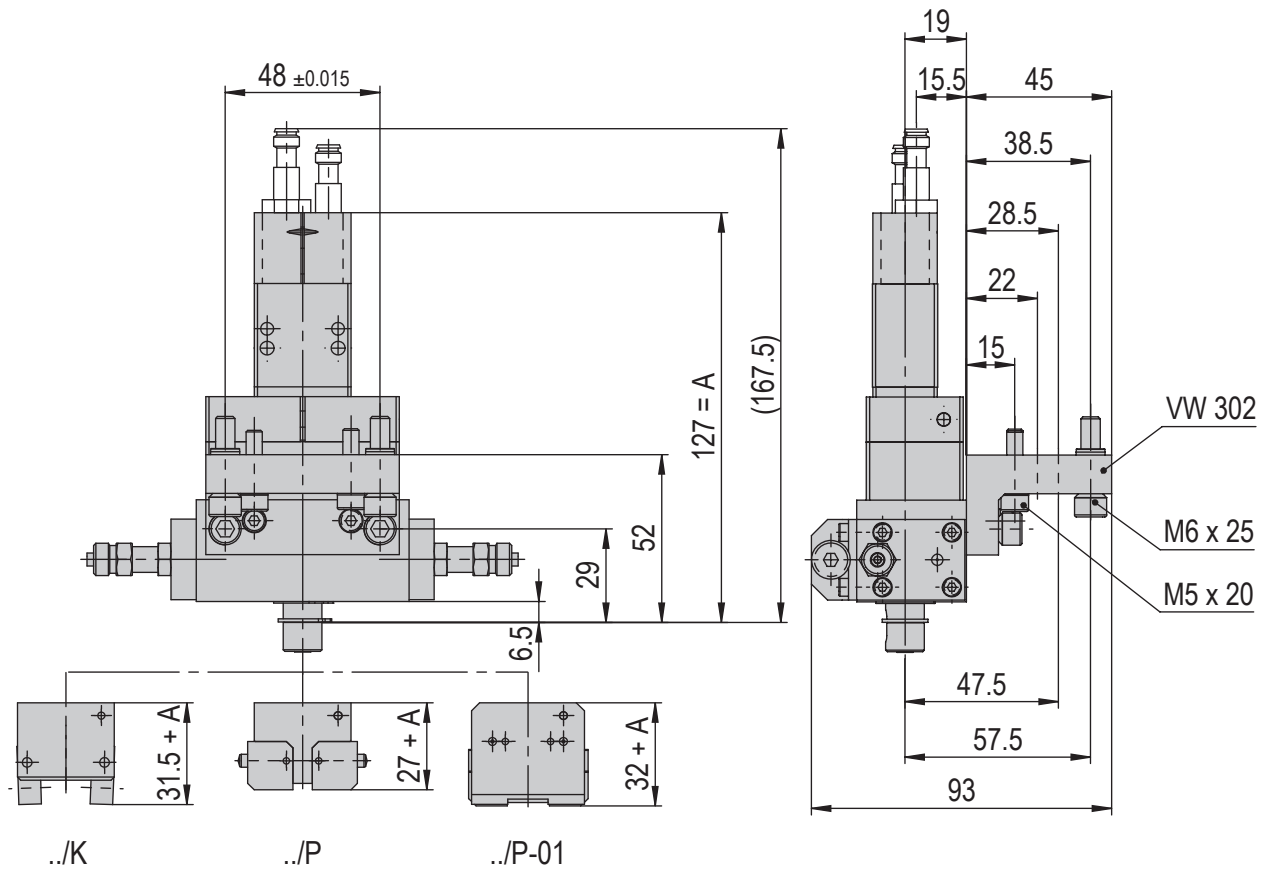
# Gripping rotary module GMQ/RM

GMQ 12/RM 12

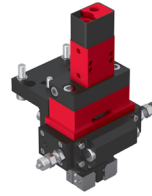
7



- Modular combinations
- No moving tubes or cables
- Grippers can be rotated in any position



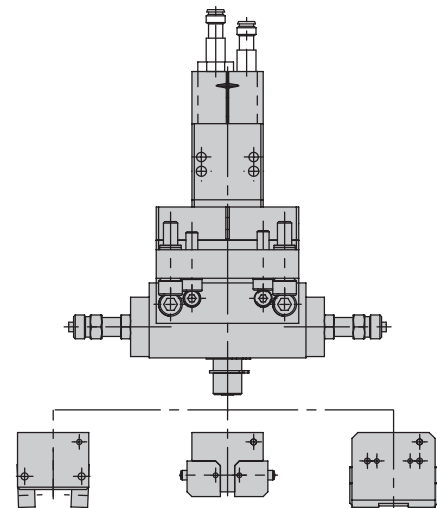
# Range summary



## GMQ 12/RM 12

GMQ 12/RM 12	
Operating pressure	6 +/- 2 bar
Operating temperature	0 - 50 °C
Storage temperature	0 - 50 °C
Humidity	< 90 %

7



Grippers	..K	..P	..P-01
<b>GMQ 12/.. / RM 12-SD</b>	<b>50002132</b>	<b>50002129</b>	<b>50002138</b>
Net weight	0.838 kg	0.908 kg	0.934 kg
<b>GMQ 12/.. / RM 12</b>	<b>50002131</b>	<b>50002128</b>	<b>50002137</b>
Net weight	0.823 kg	0.89 kg	0.917 kg
<b>GMQ 12/.. / RMZ 12</b>	<b>50002133</b>	<b>50002130</b>	<b>50002139</b>
Net weight	0.71 kg	0.938 kg	0.964 kg

The technical data refer to a nominal pressure of 6 bar under Afag standard test conditions.  
 The module can be operated with lubricated or dry air.  
 Cleanroom class ISO 14644-1, class ISO 7

### Included in the delivery (Catalogue HT accessories)

- 2x Centering bushing Ø9x4
- 8x Mounting screw M5x20
- 2 Mounting screw M6x25
- 4x Ribbed washer M6
- 2x Ribbed washer M5
- 1x Angle plate VW 302

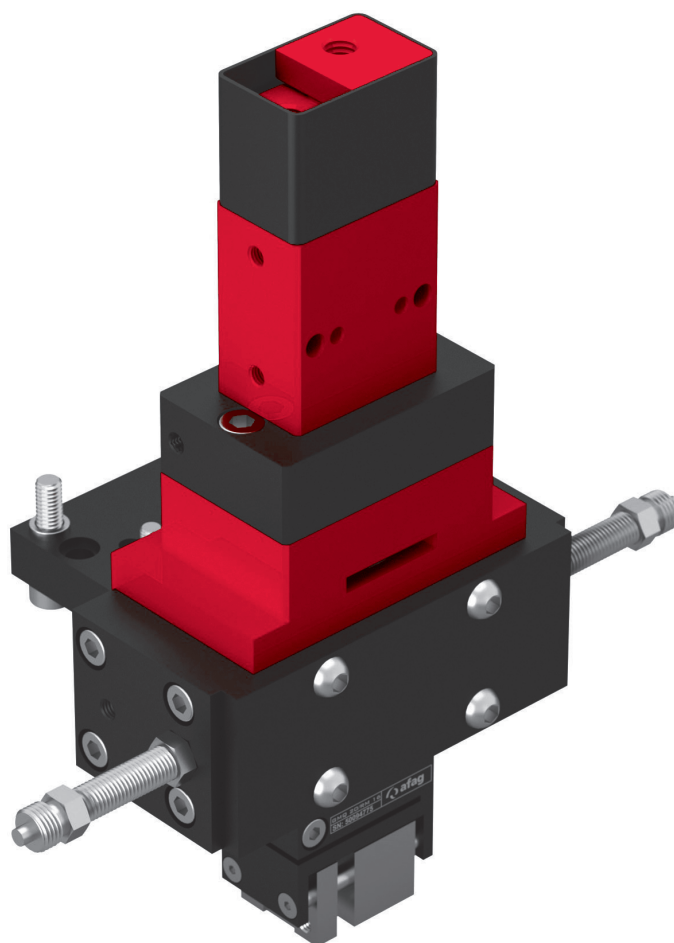
Warranty: 24 months following commissioning, but a maximum of 27 months following delivery



# Gripping rotary module GMQ/RM

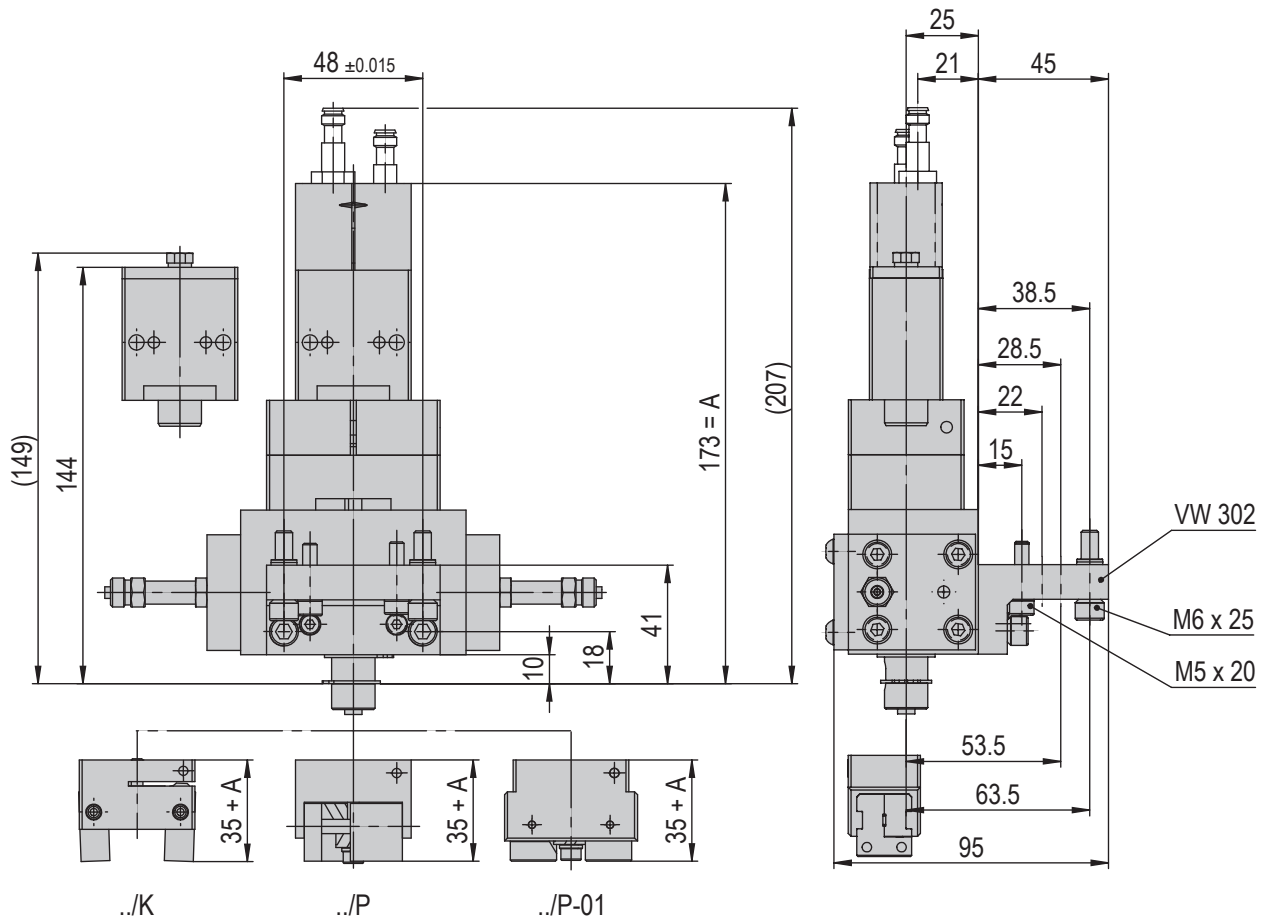
GMQ 20/RM 16

7

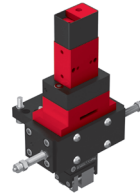


- Modular combinations
- No moving tubes or cables
- Grippers can be rotated in any position





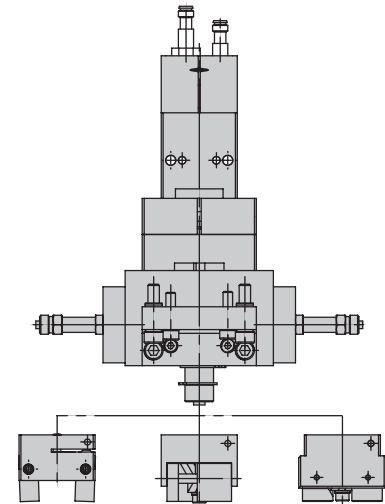
# Range summary



## GMQ 20/RM 16

GMQ 20/RM 16	
Operating pressure	6 +/- 2 bar
Operating temperature	0 - 50 °C
Storage temperature	0 - 50 °C
Humidity	< 90 %

7



Grippers	..K	..P	..P-01
<b>GMQ 20/.. / RMZ 16</b>	<b>50094787</b>	<b>50094778</b>	<b>50410321</b>
Net weight	1.828 kg	1.909 kg	1.862 kg
<b>GMQ 20/.. / RM 16/2</b>	<b>50094790</b>	<b>50094779</b>	<b>50410322</b>
Net weight	1.988 kg	2.069 kg	2.022 kg
<b>GMQ 20/.. / RM 16-SD</b>	<b>50094785</b>	<b>50094776</b>	<b>50410320</b>
Net weight	1.638 kg	1.719 kg	1.672 kg
<b>GMQ 20/.. / RM 16</b>	<b>50094784</b>	<b>50094775</b>	<b>50410319</b>
Net weight	1.489 kg	1.576 kg	1.489 kg

The technical data refer to a nominal pressure of 6 bar under Afag standard test conditions.  
The module can be operated with lubricated or dry air.  
Cleanroom class ISO 14644-1, class ISO 7

### Included in the delivery

(Catalogue HT accessories)

- 2x Centering bushing Ø9x4
- 2x Mounting screw M4x18
- 8x Mounting screw M5x20
- 4x Mounting screw M6x18
- 2 Mounting screw M6x25
- 4x Ribbed washer M4
- 2x Ribbed washer M5
- 4x Ribbed washer M6
- 1x Angle plate VW 302

Warranty: 24 months following commissioning, but a maximum of 27 months following delivery

afag.com

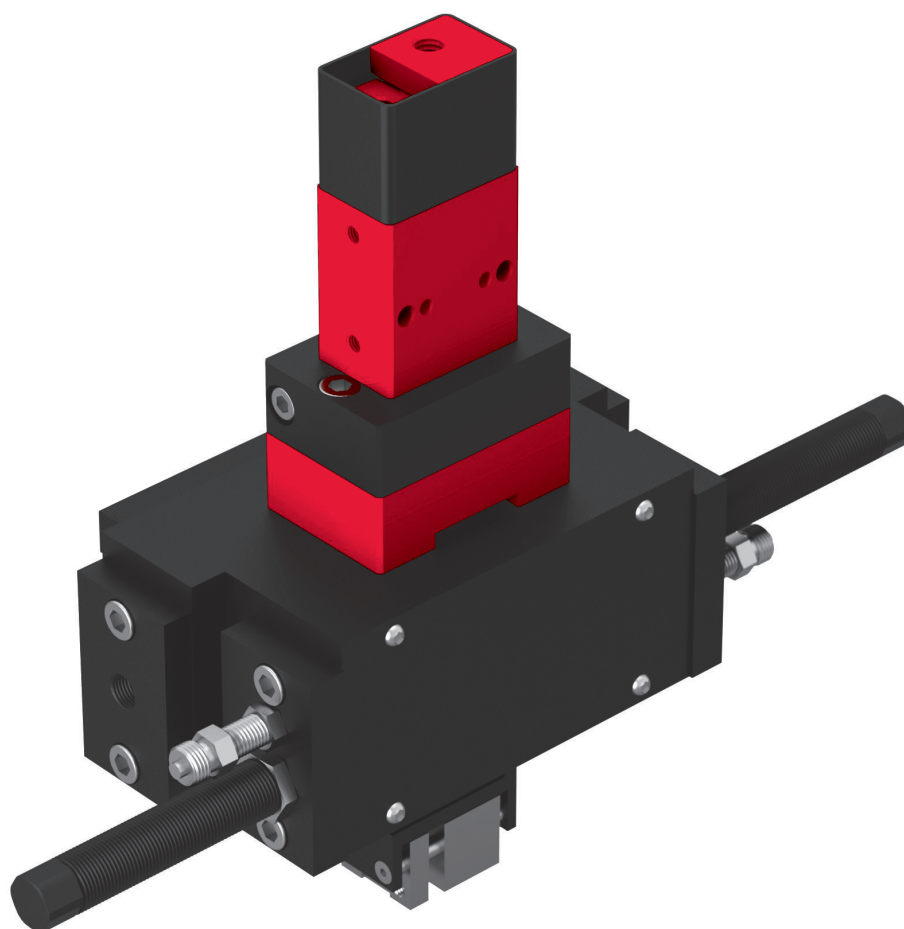
Handling technology HT Components gripping/turning



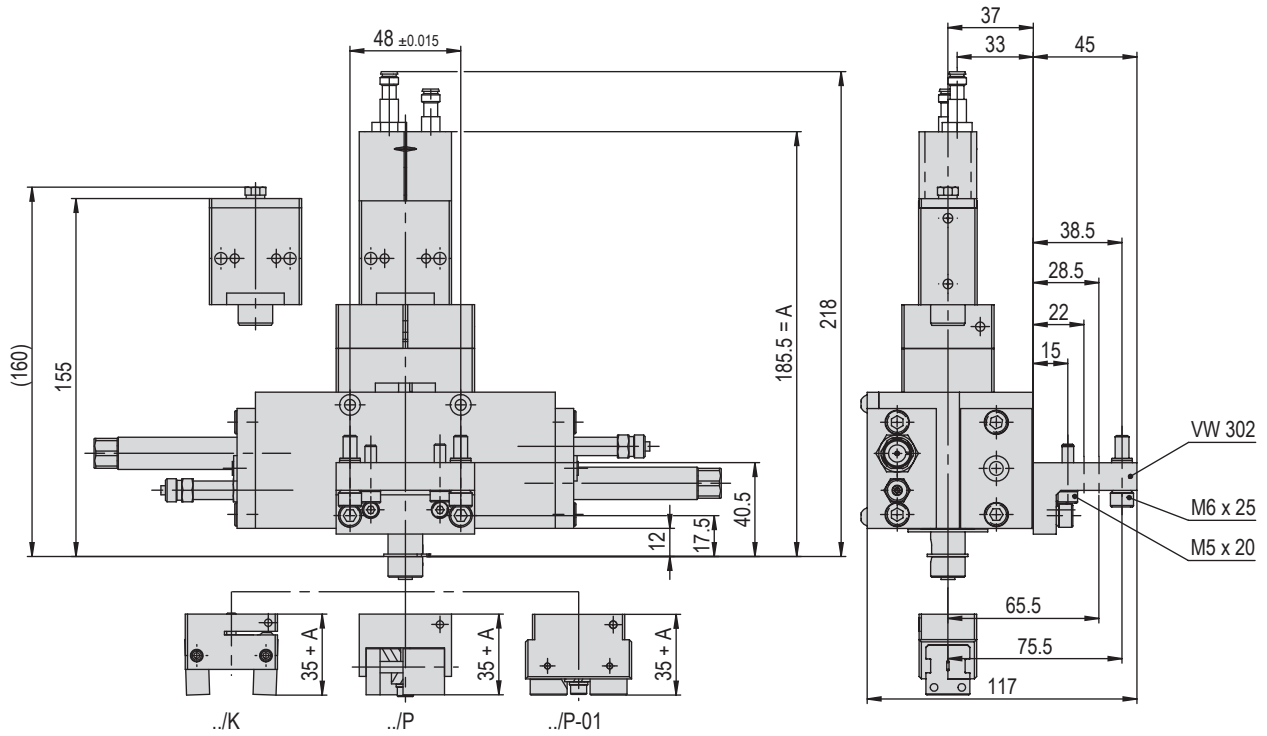
# Gripping rotary module GMQ/RM

GMQ 20/RM 25

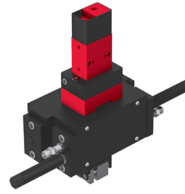
7



- Modular combinations
- No moving tubes or cables
- Grippers can be rotated in any position



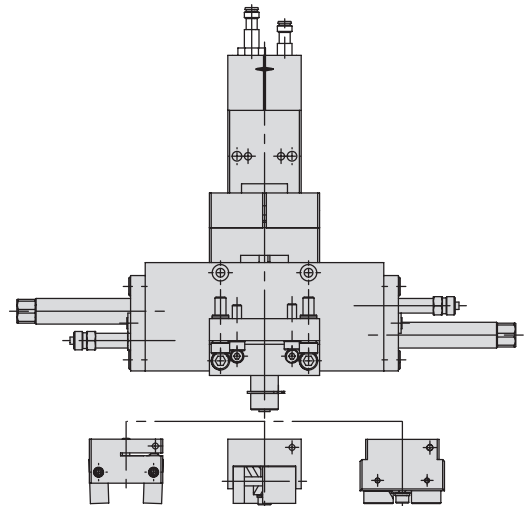
# Range summary



## GMQ 20/RM 25

GMQ 20/RM 25	
Operating pressure	6 +/- 2 bar
Operating temperature	0 - 50 °C
Storage temperature	0 - 50 °C
Humidity	< 90 %

7



Grippers	..K	..P	..P-01
<b>GMQ 20/.. / RMZ 25/1</b>	<b>50094802</b>	<b>50094796</b>	<b>50410324</b>
Net weight	3.469 kg	3.55 kg	3.503 kg
<b>GMQ 20/.. / RM 25</b>	<b>50094801</b>	<b>50094795</b>	<b>50410323</b>
Net weight	2.779 kg	2.866 kg	2.779 kg
<b>GMQ 20/.. / RMZ 25/2</b>	<b>50094803</b>	<b>50094797</b>	<b>50410325</b>
Net weight	3.539 kg	3.62 kg	3.573 kg

The technical data refer to a nominal pressure of 6 bar under Afag standard test conditions.  
 The module can be operated with lubricated or dry air.  
 Cleanroom class ISO 14644-1, class ISO 7

### Included in the delivery (Catalogue HT accessories)

- 2x Centering bushing Ø9x4
- 8x Mounting screw M5x20
- 2 Mounting screw M6x25
- 1x Angle plate VW 302
- 2x Ribbed washer M5
- 4x Ribbed washer M6

Warranty: 24 months following commissioning, but a maximum of 27 months following delivery

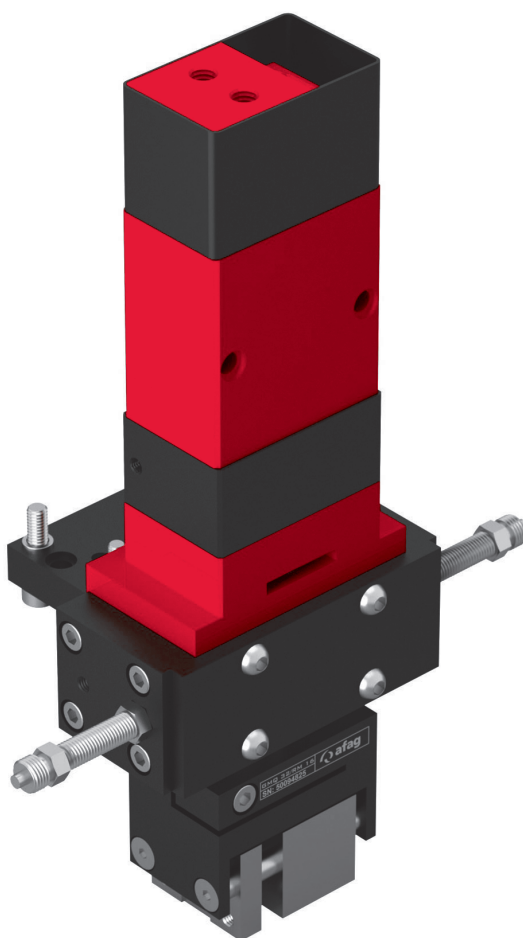
afag.com



# Gripping rotary module GMQ/RM

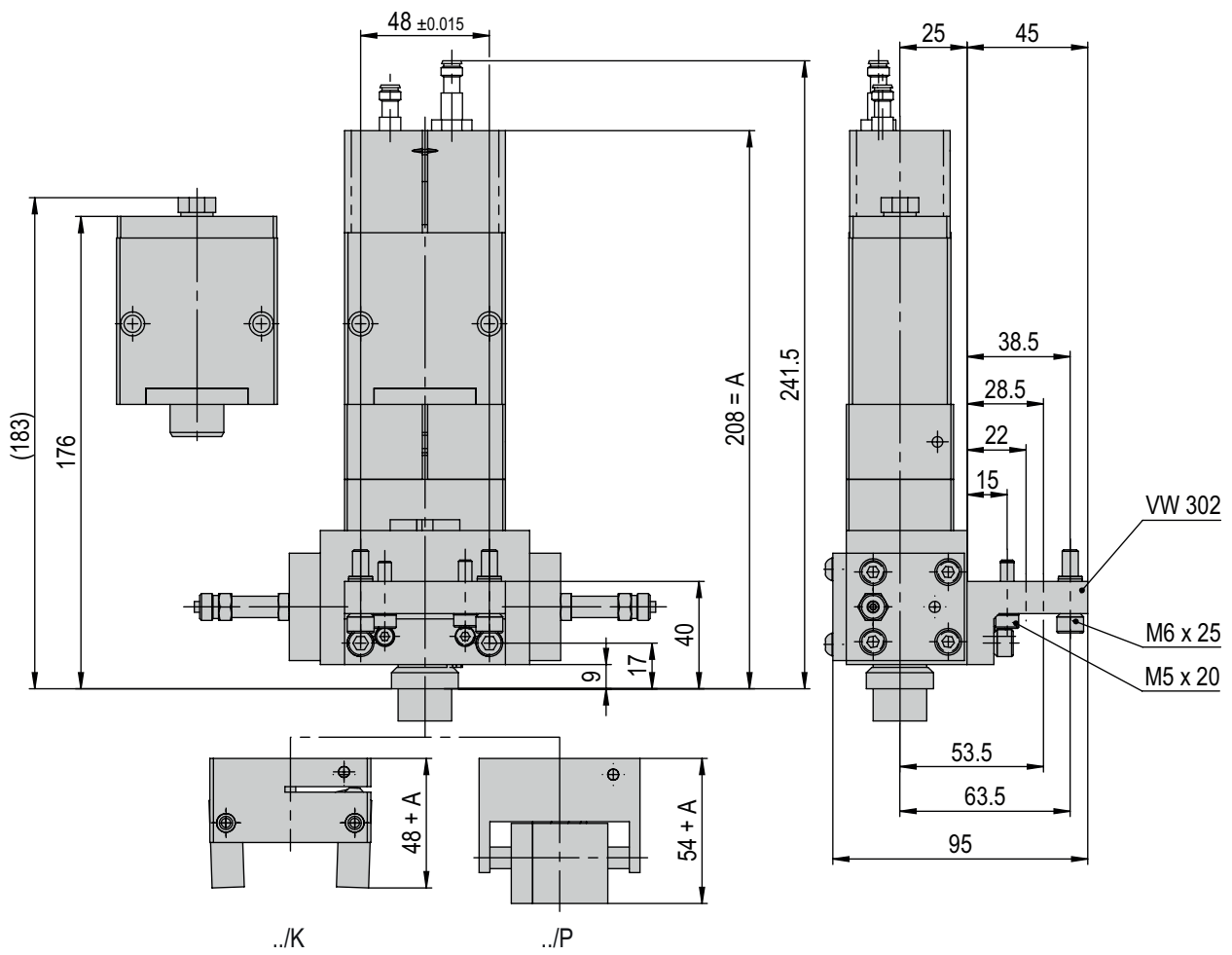
GMQ 32/RM 16

7

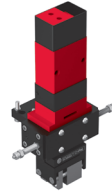


- Modular combinations
- No moving tubes or cables
- Grippers can be rotated in any position





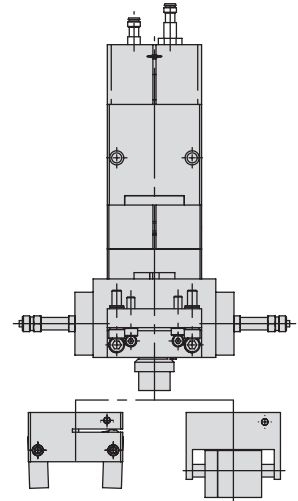
# Range summary



## GMQ 32/RM 16

GMQ 32/RM 16	
Operating pressure	6 +/- 2 bar
Operating temperature	0 - 50 °C
Storage temperature	0 - 50 °C
Humidity	< 90 %

7



Grippers	..K	..P
<b>GMQ 32/.. / RMZ 16/2</b>	<b>50094839</b>	<b>50094828</b>
Net weight	2.711 kg	2.886 kg
<b>GMQ 32/.. / RMZ 16</b>	<b>50094838</b>	<b>50094827</b>
Net weight	2.551 kg	2.726 kg
<b>GMQ 32/.. / RM 16-SD</b>	<b>50094835</b>	<b>50094826</b>
Net weight	2.361 kg	2.536 kg
<b>GMQ 32/.. / RM 16</b>	<b>50094834</b>	<b>50094825</b>
Net weight	2.207 kg	2.357 kg

The technical data refer to a nominal pressure of 6 bar under Afag standard test conditions.  
The module can be operated with lubricated or dry air.  
Cleanroom class ISO 14644-1, class ISO 7

### Included in the delivery

(Catalogue HT accessories)

- 2x Centering bushing Ø9x4
- 8x Mounting screw M5x20
- 2 Mounting screw M6x25
- 2x Ribbed washer M5
- 4x Ribbed washer M6
- 1x Angle plate VW 302

Warranty: 24 months following commissioning, but a maximum of 27 months following delivery

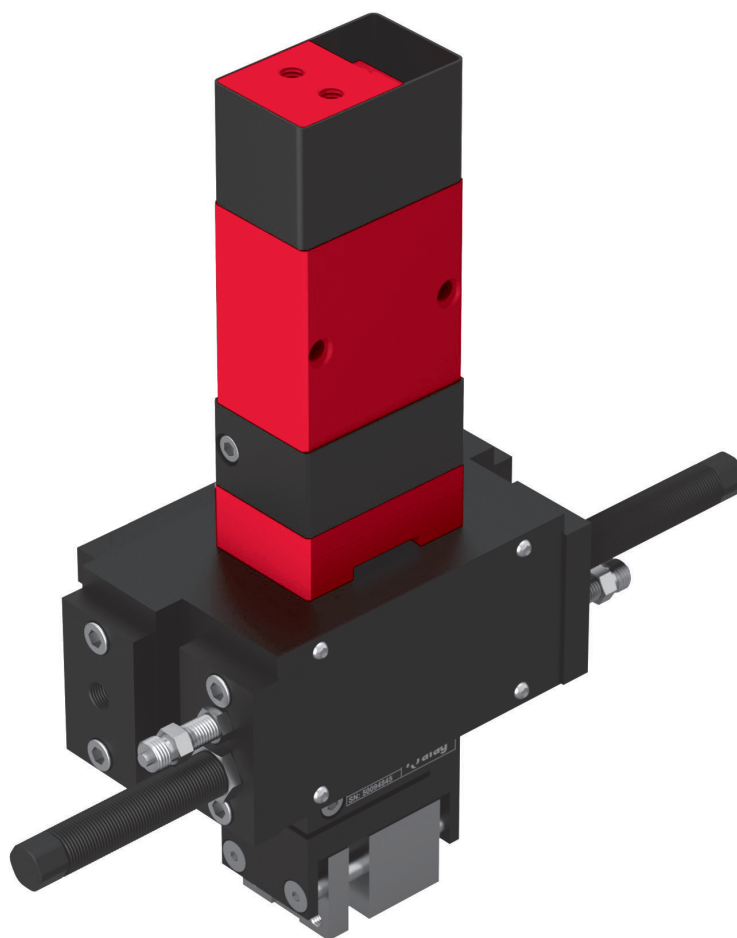
afag.com



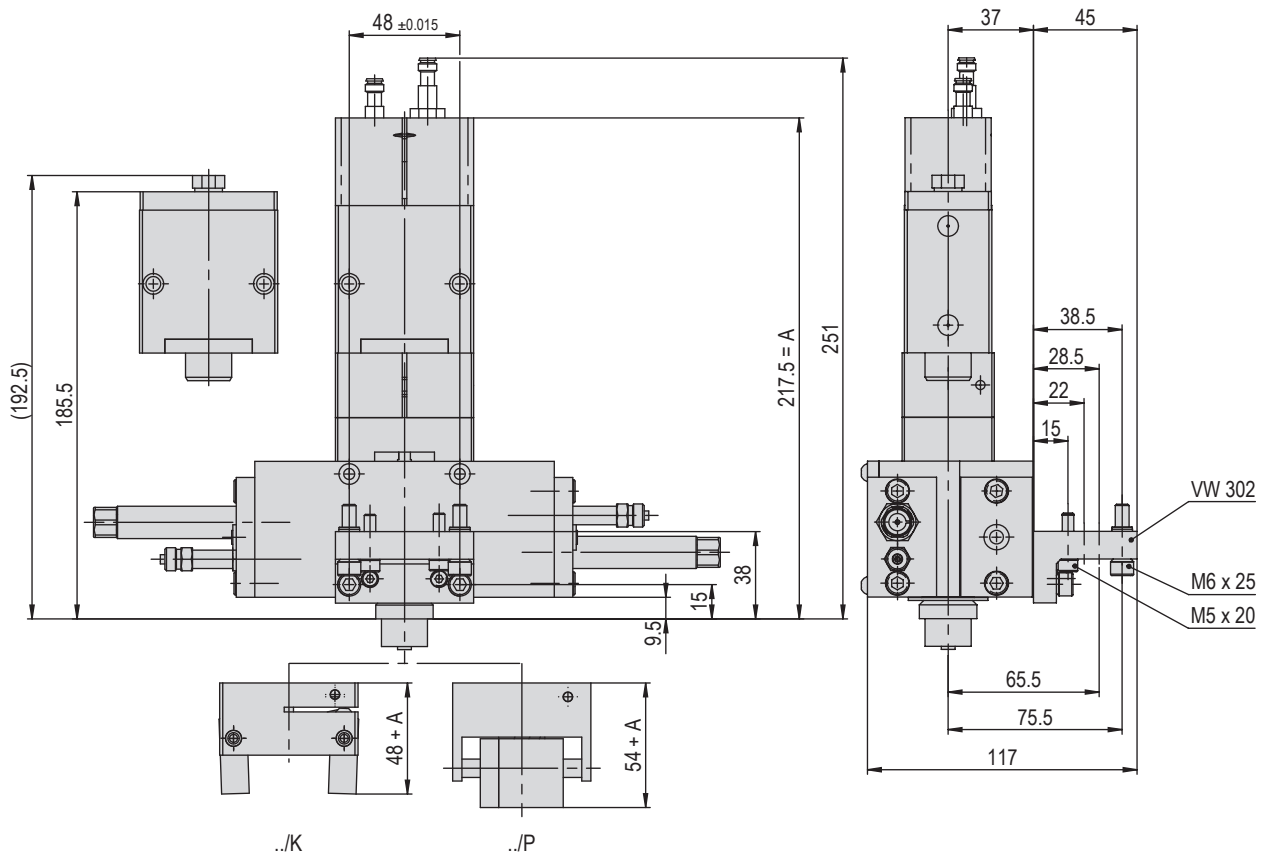
# Gripping rotary module GMQ/RM

GMQ 32/RM 25

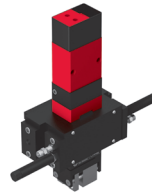
7



- Modular combinations
- No moving tubes or cables
- Grippers can be rotated in any position



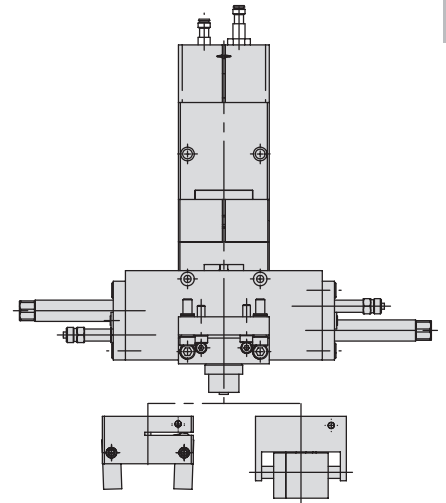
# Range summary



## GMQ 32/RM 25

GMQ 32/RM 25	
Operating pressure	6 +/- 2 bar
Operating temperature	0 - 50 °C
Storage temperature	0 - 50 °C
Humidity	< 90 %

7



Grippers	..K	..P
<b>GMQ 32/.. / RM 25</b>	<b>50094853</b>	<b>50094845</b>
Net weight	3.449 kg	3.599 kg
<b>GMQ 32/.. / RMZ 25/2</b>	<b>50094855</b>	<b>50094847</b>
Net weight	4.265 kg	4.44 kg
<b>GMQ 32/.. / RMZ 25/1</b>	<b>50094854</b>	<b>50094846</b>
Net weight	4.195 kg	4.37 kg

The technical data refer to a nominal pressure of 6 bar under Afag standard test conditions.  
The module can be operated with lubricated or dry air.  
Cleanroom class ISO 14644-1, class ISO 7

### Included in the delivery (Catalogue HT accessories)

- 2x Centering bushing Ø9x4
- 8x Mounting screw M5x20
- 2 Mounting screw M6x25
- 2x Ribbed washer M5
- 4x Ribbed washer M6
- 1x Angle plate VW 302

Warranty: 24 months following commissioning, but a maximum of 27 months following delivery

afag.com