

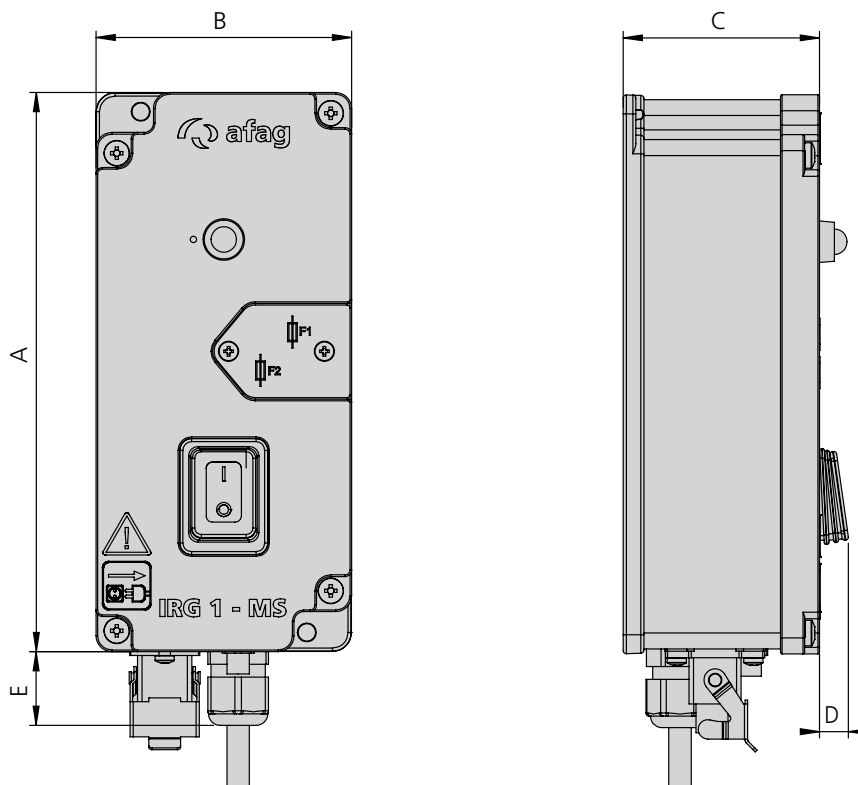
Motor controller

IRG 1-MS



- Control module for 1-phase capacitor motors
- Modular combination concept and external control by higher-level system
- Status display of the output via LED

Type	IRG1-MS
A	175 mm
B	80 mm
C	61.5 mm
D	10 mm
E	25 mm





IRG1-MS

Type	IRG1-MS
Order number	50391018
Nominal output current	2 A
Frequency	50/60 Hz
Input voltage	230/115 VAC
Output voltage	230/115 VAC
Control input	24 VDC
Net weight	0.7 kg
Refillable vibratory hopper NVB	---
Vibratory hopper NVD	---
Industrial belt hopper IBB	•
Vibrator	---
Protection type	IP54

Note: • = suitable for --- = not suitable for