

elcom

LA LIBERTÉ DE CONCEVOIR

Flat belt conveyors



elcom

LA LIBERTÉ DE CONCEVOIR



FRENCH INDUSTRIAL LEADER

elcom has brought innovating solutions to the industry. Our approach offers a complete freedom of design thanks to a unique range of flat belt conveyor and modular transfer systems.



EXCLUSIVE item PARTNER

Our partnership with the German company **item** since 1986 has opened a large expertise field and a worldwilde recognized network. elcom's flat belt conveyor design, constructed from item's range of profiles, enables a great modularity.



GEOGRAPHICAL PRESENCE

Europe
France
Germany
Italy
Benelux
Spain

Denmark
Finland
Norway
Sweden

North America
USA
Canada
South America
Australia

COMPLETE RANGE AND NEW PRODUCTS

Our creations result from a large range of products which is regularly enlarged by novelties. They offer unlimited possibilities in terms of industrial modularity.



SERVICES

- x Strong production capacity and very high reactivity
- x Important stock, fast delivery
- x Preparation for kit delivery
- x Assembly of complete sets
- x Quotations based on customers' drawings and sketches
- x Technical advice
- x CAD files library
- x Fast prototype abilities



www.elcom-automation.com

Conveyors

elcom's flat belt conveyor design, built from **item**'s range of profiles enables a great modularity.

Our conveyors allow to convey unique parts and individual packagings but also bulk products thanks to a tightened conveying belt on a frame by means of pulleys of dimensions 20 to 90 mm.

elcom provides conveyors with:

- flat belt,
- timing belt,
- modular belt,
- rollers.

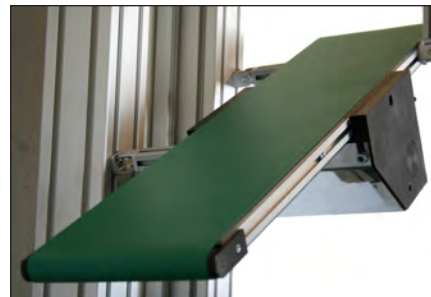
The perfect complementarity between flat belt conveyors, profiles and transfer system will facilitate the solving and realization of your ideas.

CONVEYORS 20, 40, 80, 90

Conveyor 20 Flat belt

Page 10

Central drive



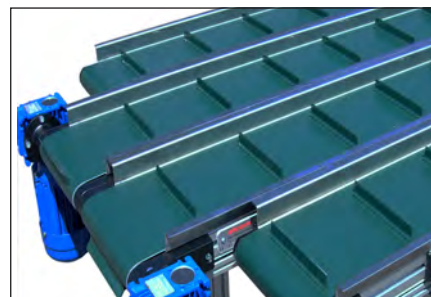
Conveyor 40 Flat belt

Page 16

Central drive

End drive

End drive, motor below



Conveyor 40 Double flat belt

Page 24

Central drive, external motor

Central drive, internal motor

End drive



Conveyor 40 Timing belt

Page 32

Central drive

End drive

End drive, motor below



Conveyor 40 Double timing belt

Page 40

Central drive, external motor

Central drive, internal motor

End drive



Conveyor 40 Inclined

Page 48

End drive



Conveyor 80 Flat belt

Page 56

End drive 90 W

End drive 250 W

End drive, fixed motor



Conveyor 90 Flat belt

Page 62

End drive

End drive, motor below



Conveyor 90 Motorized drum

Page 68

End drive



Conveyor 90 Timing belt

Page 72

End drive



Conveyor 90 Double timing belt

Page 76

End drive



Conveyor modular belt

Page 80

End drive



Conveyor with non driven rollers

Page 84

Straight line

Curved



Conveyor with motorized rollers

Page 90

Straight line

Curved



Accessories

Page 96

- Belts**
- Motors**
- Extremity Ø 21 mm**
- Plates**
- Lower belt supports**
- Lateral guides**
- Conveyor stands**
- Fastening plate**



Special conveyors Applications

Page 109



Conveyor determination sheet

Page 114

		elcom <small>LA LIBERTÉ DE CONCEVOIR</small>	
Customer :	<input type="text"/>	Distributor:	<input type="text"/>
No.:	<input type="text"/>	Elcom Contact:	<input type="text"/>
Contact:	<input type="text"/>	Quotation No.:	<input type="text"/>
Customer order No.:	<input type="text"/>	Order No.:	<input type="text"/>
		Conveyor No.:	<input type="text"/>
TYPE		C 000	
Environment:			
Carried part:			
Carried load (kg):	<input type="text"/>	No. Of parts:	<input type="text"/>
		Accumulation :	<input type="text"/>
		T° :	<input type="text"/>
Conveyor width:	<input type="text"/> mm	<input type="checkbox"/> Non std width:	<input type="text"/> mm
Single / Double :	<input type="text"/>	Space between axes E:	<input type="text"/> mm
Drive:	<input type="text"/>		
Extremity ø21:	<input type="text"/>		
Conveyor length L:	<input type="text"/> mm	Belt type:	<input type="text"/>
Belt:	<input type="text"/>		

elcom flat belt conveyors are divided into 4 ranges depending on the diameter of pulleys: **20, 40, 80** and **90 mm**.

Conveyor 20:

Compact conveyor made from profiles basis 5, width 20 mm for very small and light components.

Conveyor 40:

Compact conveyor compact from profiles basis 8, width 40 mm for all kinds of components.

Conveyor 80:

Compact conveyor made from item's profile range, width 80 mm dedicated to the conveying of light and bulky loads.

Conveyor 90:

Compact conveyor made from item's profile range basis 8, width 90 mm for heavy, high-volume components.

Conveyors are available with **flat belt, timing belt, modular belt** or **rollers**, following your requirements.

With:

- central drive
- end drive
- motor below
- external motor
- internal motor
- single belt
- double belt
- multi-belt
- rollers
- straight line
- curved
- inclined
- cleated belt
- accessories

Width from 20 to 1 000 mm and center distance 300 to 6 000 mm.

Possible adaptation on request.

Overview of standard conveyors by type of belts

	Conveyor 20 flat belt p.10-15		Conveyor 40 flat belt p.16-31				Conveyor 40 timing belt p.32-47		Conveyor inclined 1, 2 or 3 p.48-55	Conveyor 80 90 W p.58-59		Conveyor 80 250 W p.60-61		Conveyor 90 flat belt p.62-67		Conveyor 90 timing belt p.72-79		
			End		Central		Central / End		End	End		End		End		End		
	Accumulation		Accumulation		Accumulation		Accumulation			Accumulation		Accumulation		Accumulation		Accumulation		
	Yes	No	Yes	No	Yes	No	Yes	No		Yes	No	No	No	No		Yes	No	
20	1	2																
40	8	16	6	12	8	16	56	80	8 kg maxi 4 m							50	80	
80	16	32	12	24	16	32	70	100									70	110
120			18	36	24	48											90	150
160	24	48	24	48	32	64												
200			30	60	40	80												
250			36	72	48	96												
300			42	84	56	112												
400			48	96	64	128					30 kg without accum. maxi 12 m /min	15 kg without accum. maxi 24 m /min						
500													60 kg without accum. maxi 12 m /min	30 kg without accum. maxi 24 m /min				
600															150 kg maxi 6 m without accumulation			
700																		
800																		
1000																		



**All these data are indicative and depend on:
length of the conveyor, speed, duty cycle, belt and motor types.**

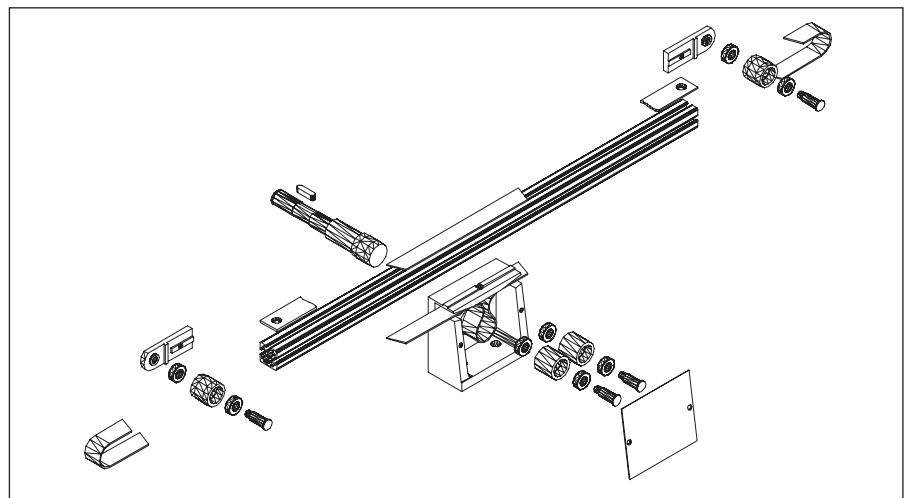
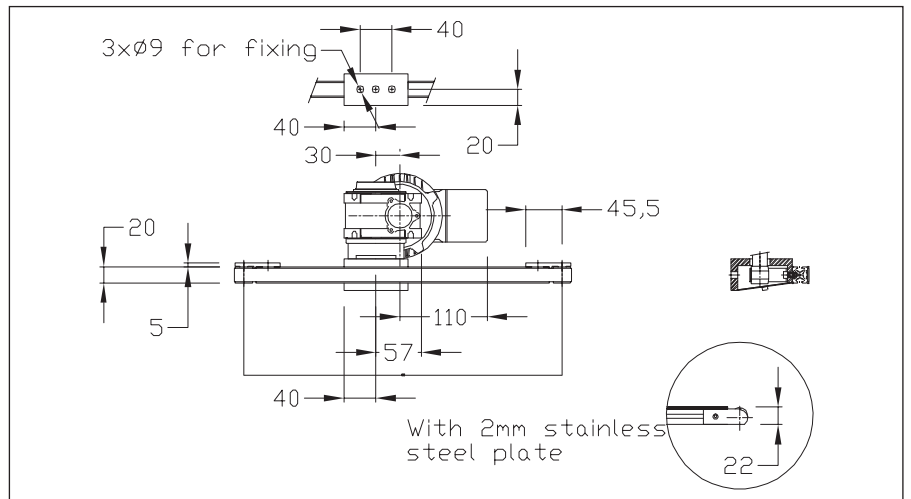
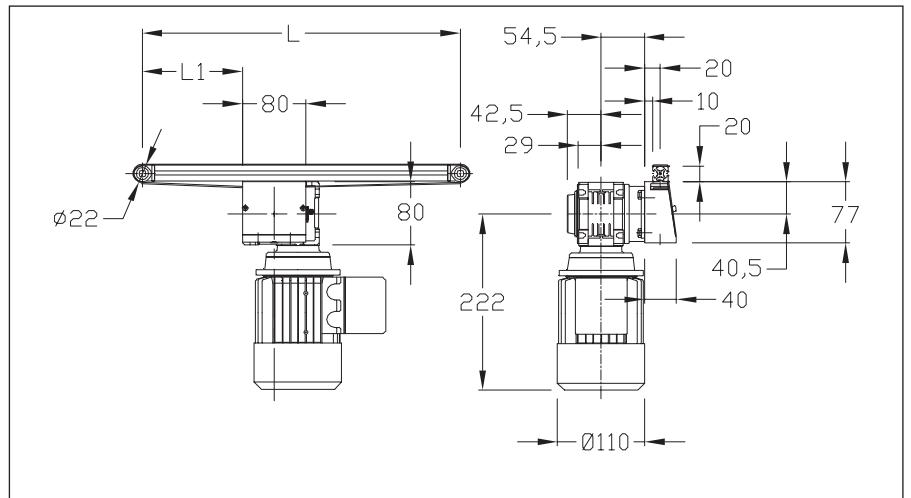
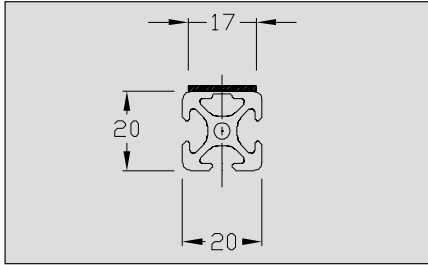
elcom

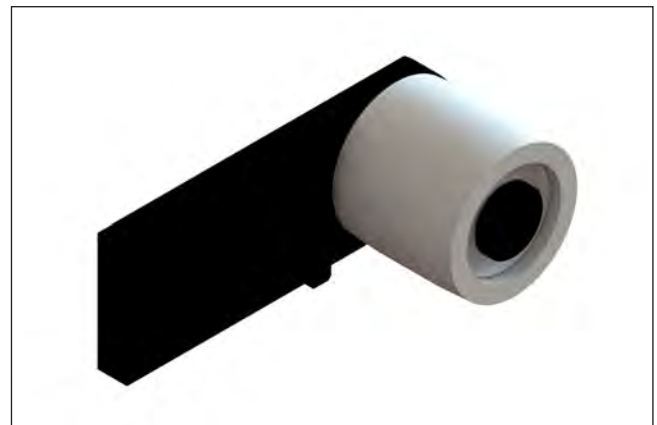
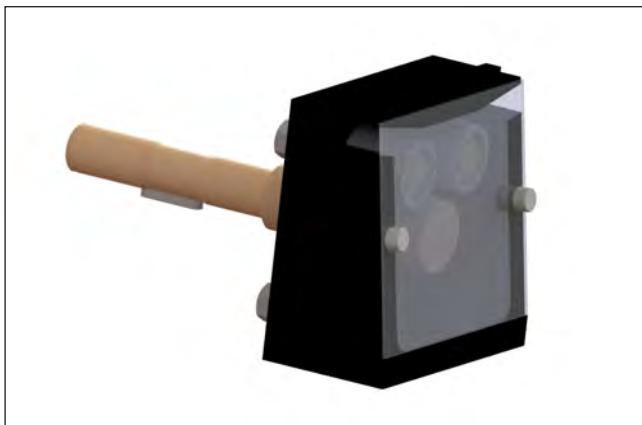
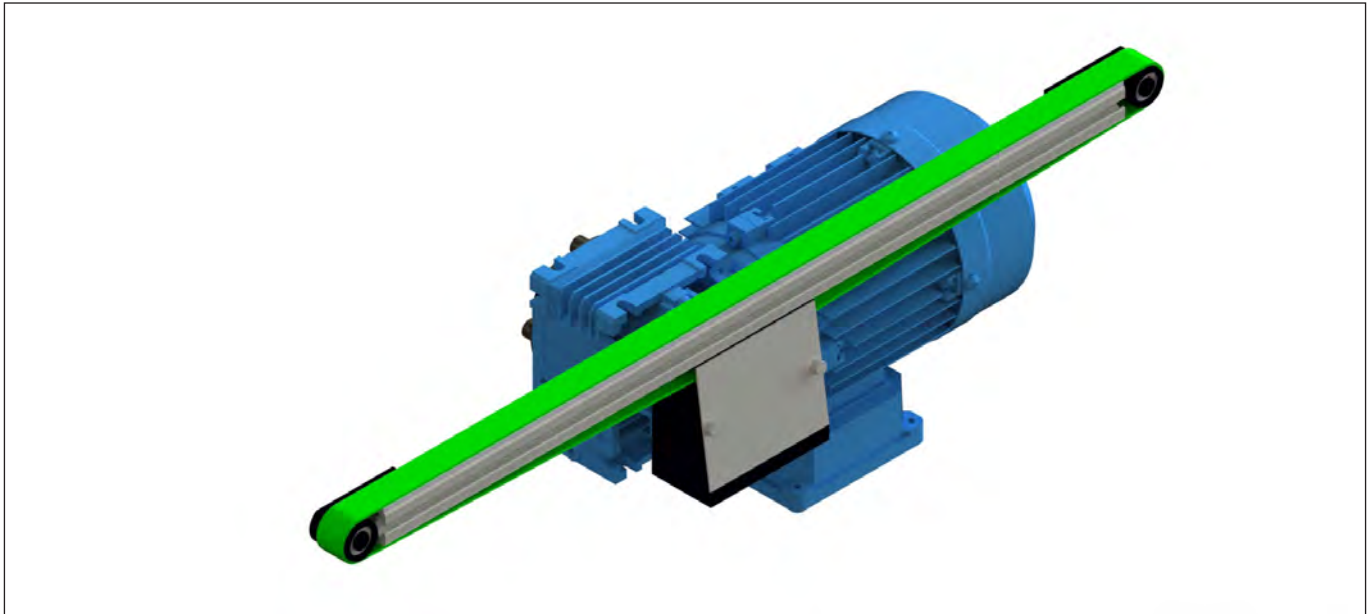
LA LIBERTÉ DE CONCEVOIR

CONVEYOR 20

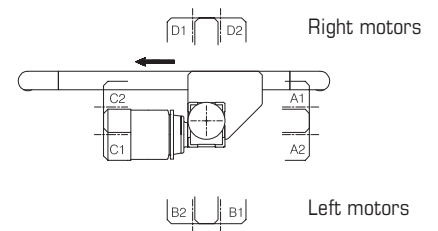




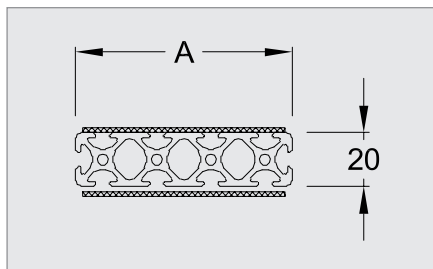




Gear motors positions (see page 100)



Designation / Dimensions	Order unit	Reference
Conveyor 20 Flat belt Central drive 20 mm	1 pce	C 020 10 000
Conveyor 20 Flat belt Central drive 20 mm 24 V	1 pce	C 020 11 000



Conveyor 20

Flat belt

Central drive

Widths 40, 80, 160 mm

Technical data

Flat belt conveyor for limited space required, built with profile 5 basis 20 mm for very small and light components.

- ✘ Adjustable position of the drive along the profile
- ✘ Pulleys with ball bearings
- ✘ Optional stainless steel plate

Dimensions (mm)

- ✘ Width A: 40 - 80 - 160
- ✘ Length L: 300 to 3 000
- ✘ Width of belt: A-5
- ✘ Length of belt:
 $L_c = (2 \times L + 285) \times 0,995$
- ✘ Length of profile: $LP = L - 31$

Gear motors

- ✘ 230 V single-phase and 230/400 V three-phase
- ✘ Speed (m/min) +/- 10%:
2 - 3 - 6 - 9 - 12
- ✘ 24 VDC on request

Gear motors data: see page 100

Belts

Installation tension: 0,5 % maxi

Polyurethane belt, maxi thickness: 1,3 mm

Belt rigidity with tension 1%: 5 N/mm maxi

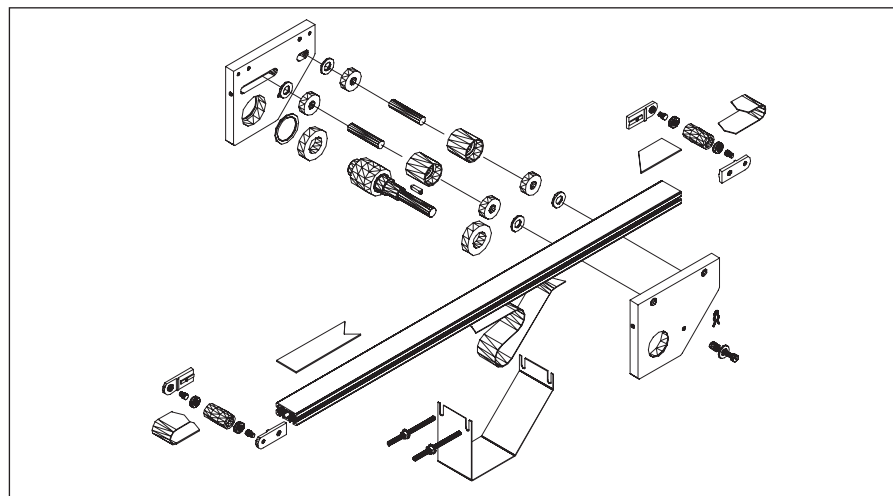
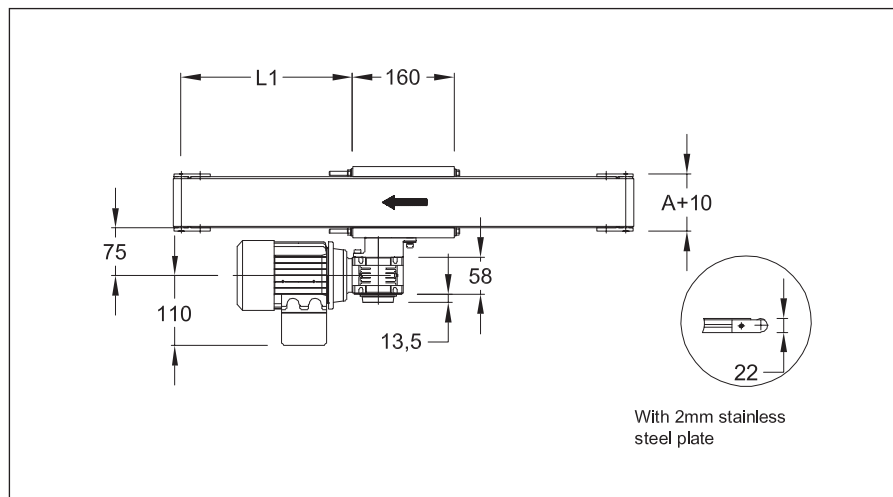
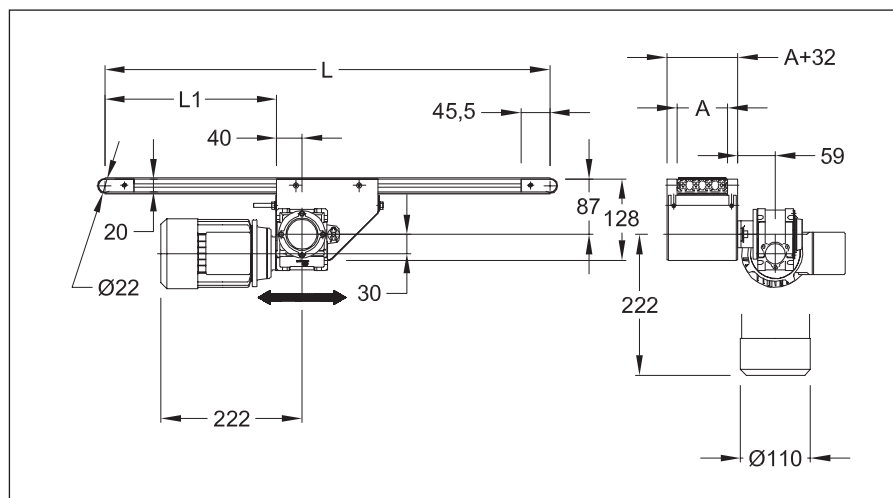
Belts data: see page 98

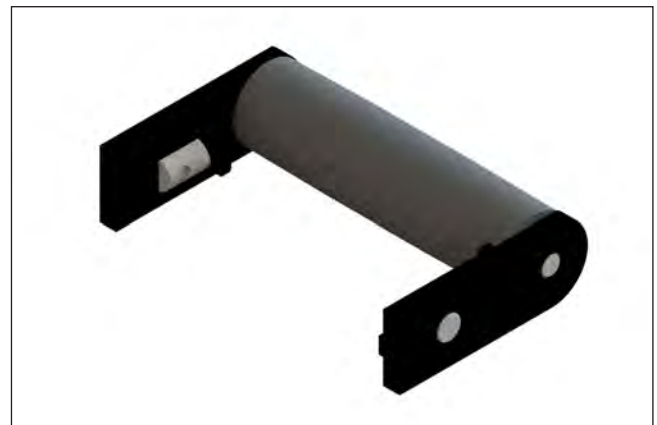
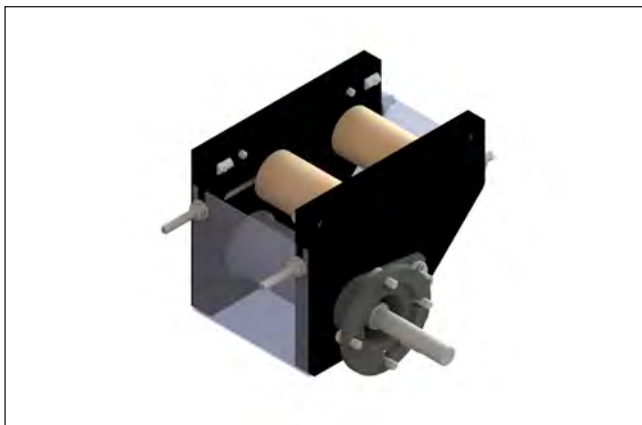
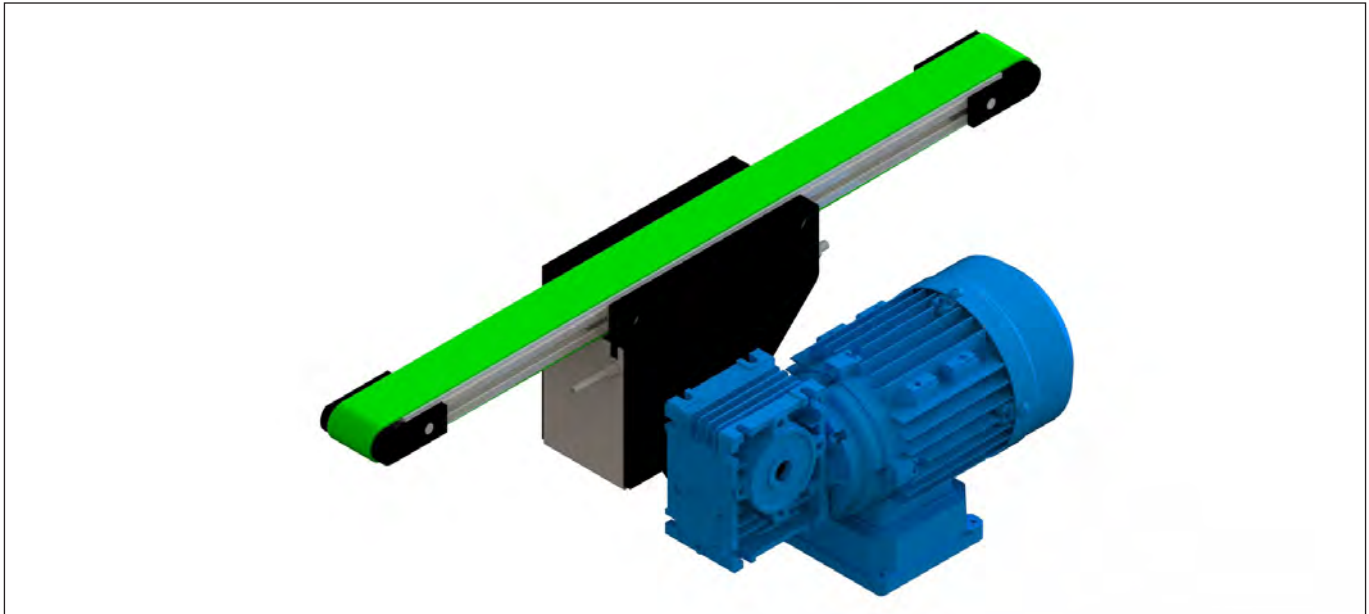
Permissible loads:

width 40:	16 daN
width 80:	32 daN
width 160:	48 daN

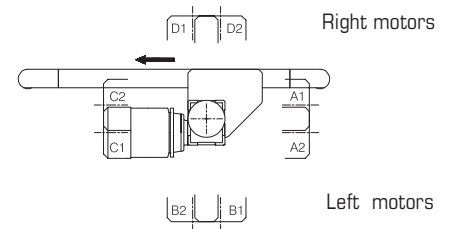
(Without accumulation)

Loads data: Page 9





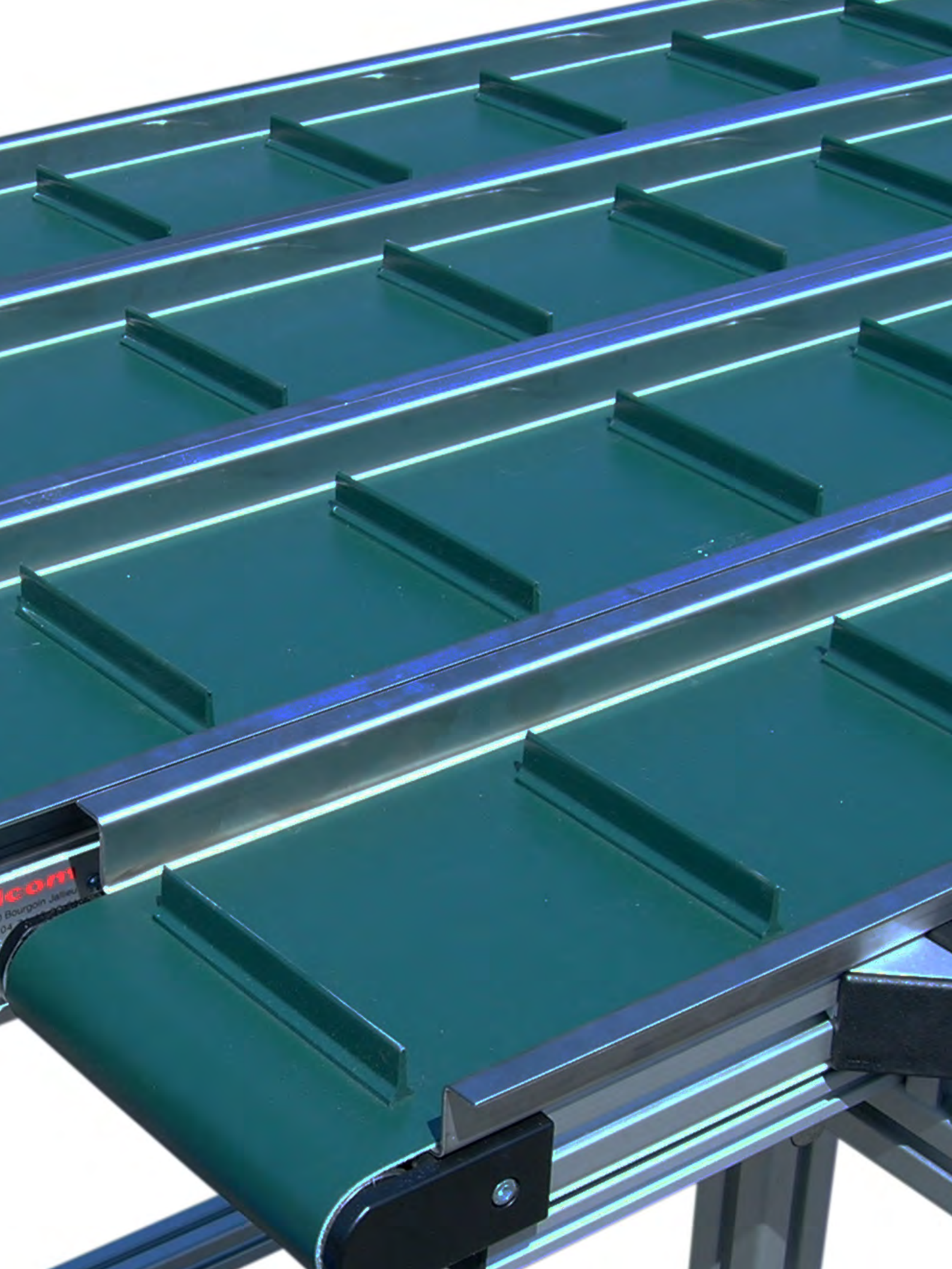
Gear motors positions (see page 100)

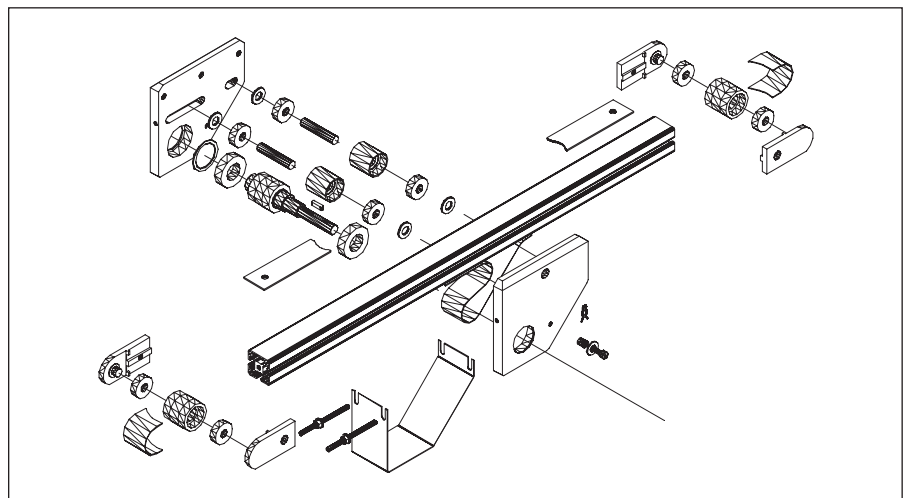
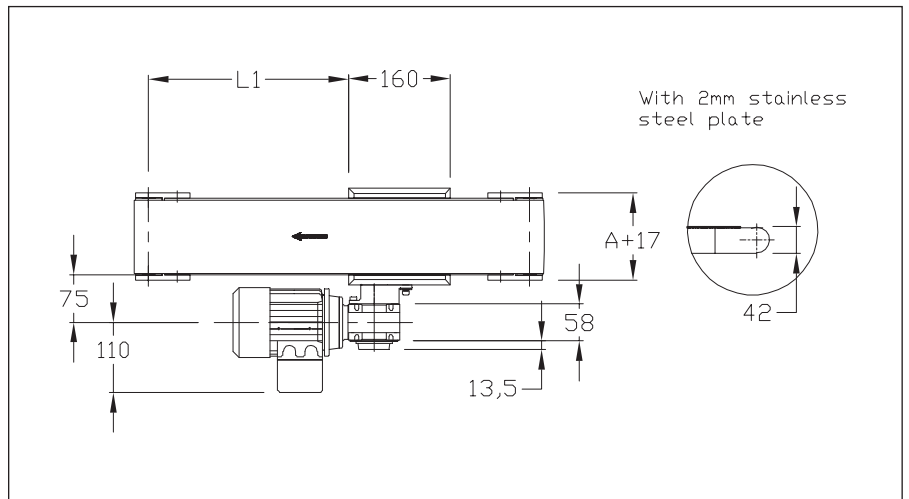
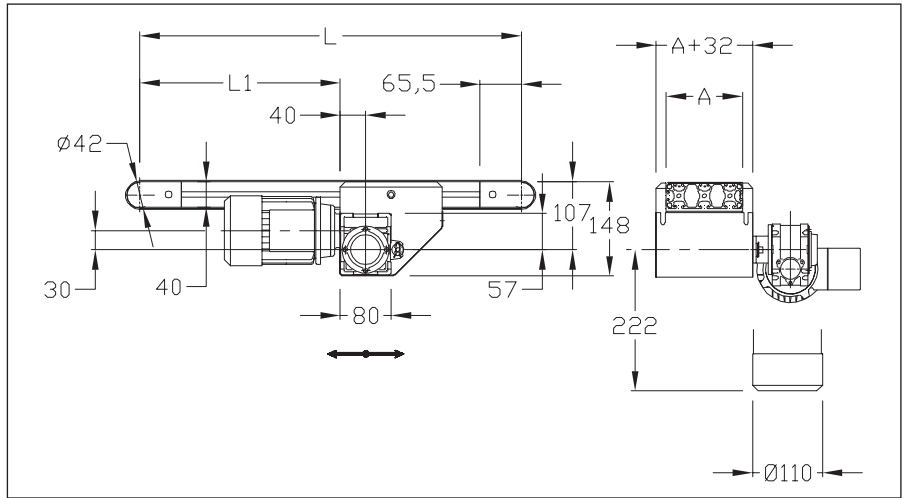
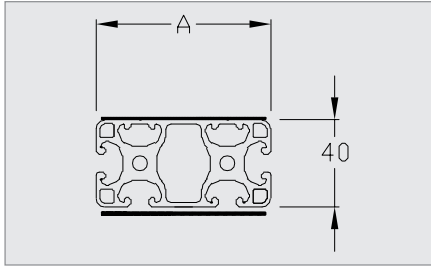


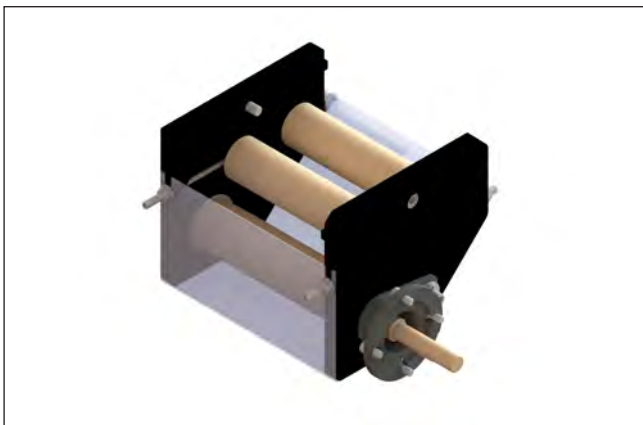
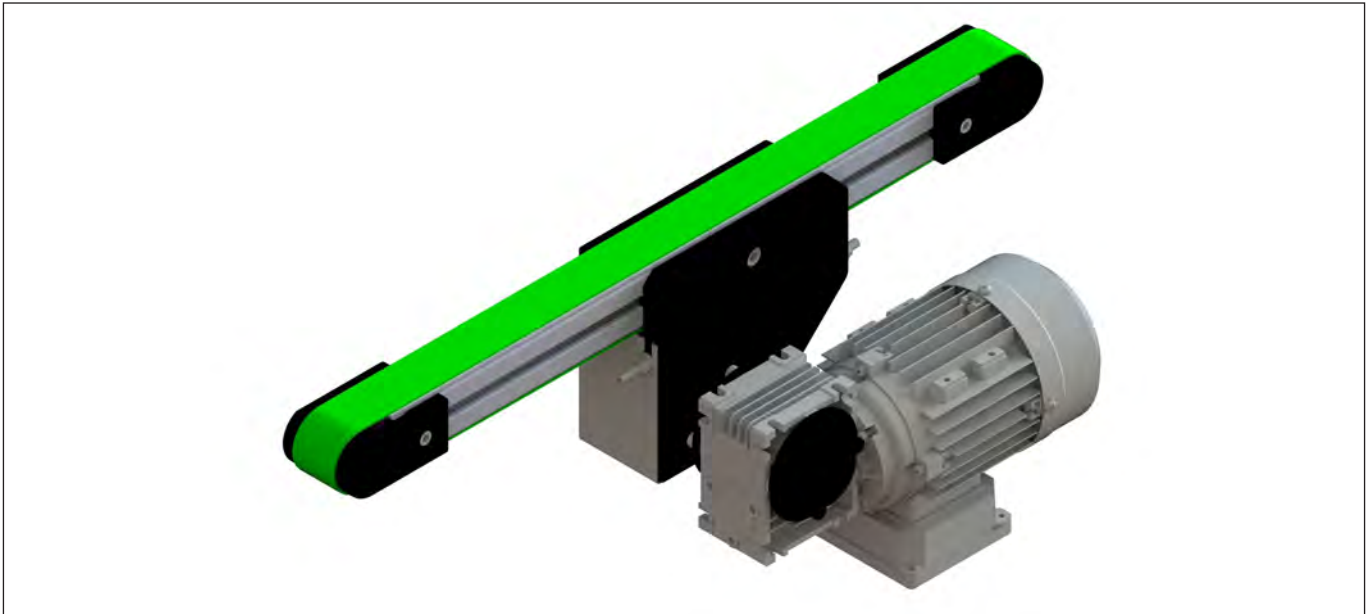
Designation / Dimensions	Order unit	Reference
Conveyor 20 Flat belt Central drive 40 mm	1 pce	C 020 20 000
Conveyor 20 Flat belt Central drive 80 mm	1 pce	C 020 30 000
Conveyor 20 Flat belt Central drive 160 mm	1 pce	C 020 50 000

CONVEYOR 40 FLAT BELT

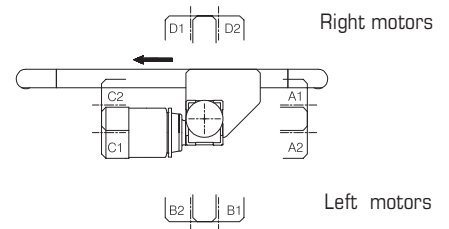






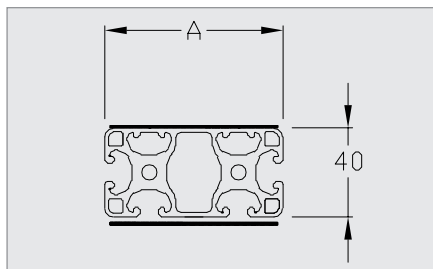


Gear motors positions (see page 100)



Designation / Dimensions	Order unit	Reference
Conveyor 40 Flat belt Central drive	1 pce	C XXX 10 000

(XXX = Width A of conveyor eg: C 040 10 000)



Conveyor 40

Flat belt

End drive

Widths 40, 80, 120, 160, 200, 250, 300, 400 mm

Technical data

Compact conveyor on profiles 8 basis 40 mm, for all kinds of components.

Particularly well adapted to the use of cleated belts.

- ✘ Drive on extremity drive pulley
- ✘ Steel pulleys with ball bearings
- ✘ Stainless steel plate from 200 to 400, otherwise on option

Dimensions (mm)

- ✘ Width A: 40 - 80 - 120 - 160 - 200 - 250 - 300 - 400
- ✘ Length L: 400 to 6 000
- ✘ Width of belt: A-5
- ✘ Length of belt: $L_c = (2 \times L) + 132$
- ✘ Overall length:
 $L_h = L + 42 + 2 \times \text{thickness of belt} + \text{tension}$
- ✘ Length of profile: $LP = L - 52,5$

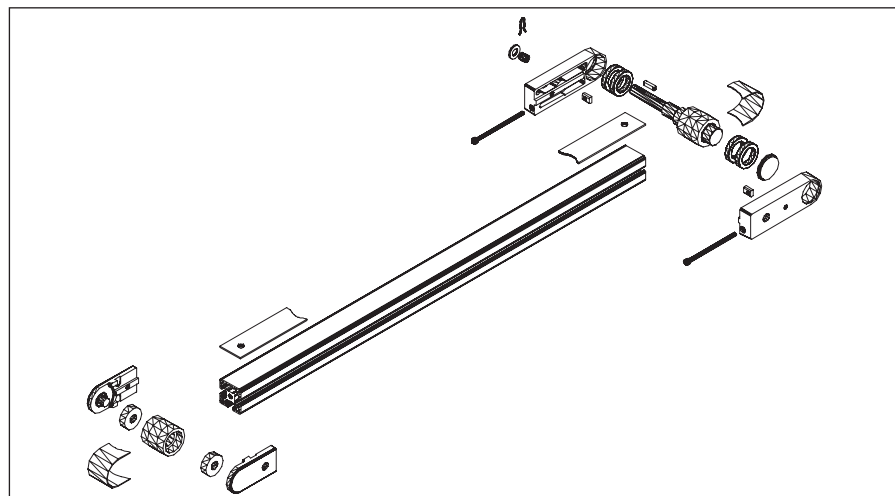
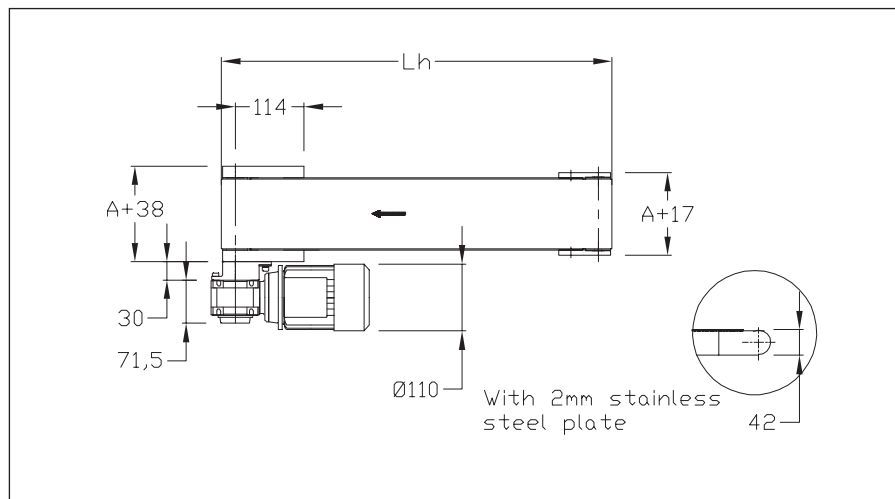
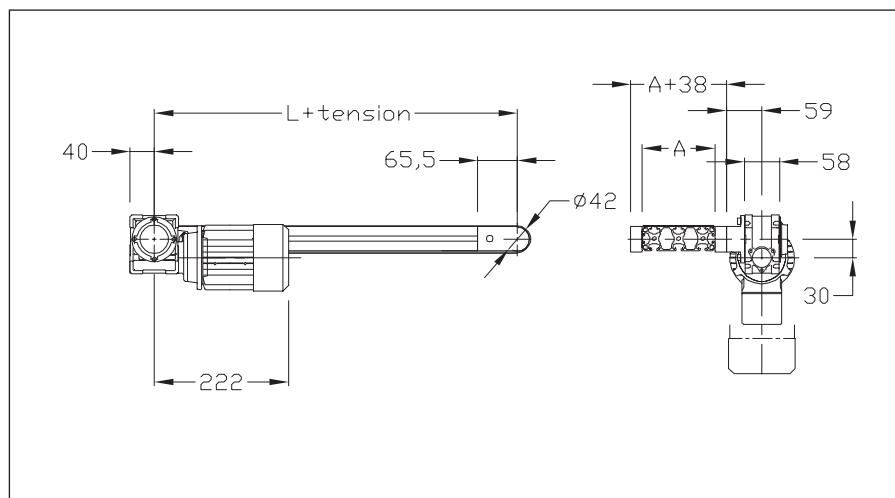
Gear motors

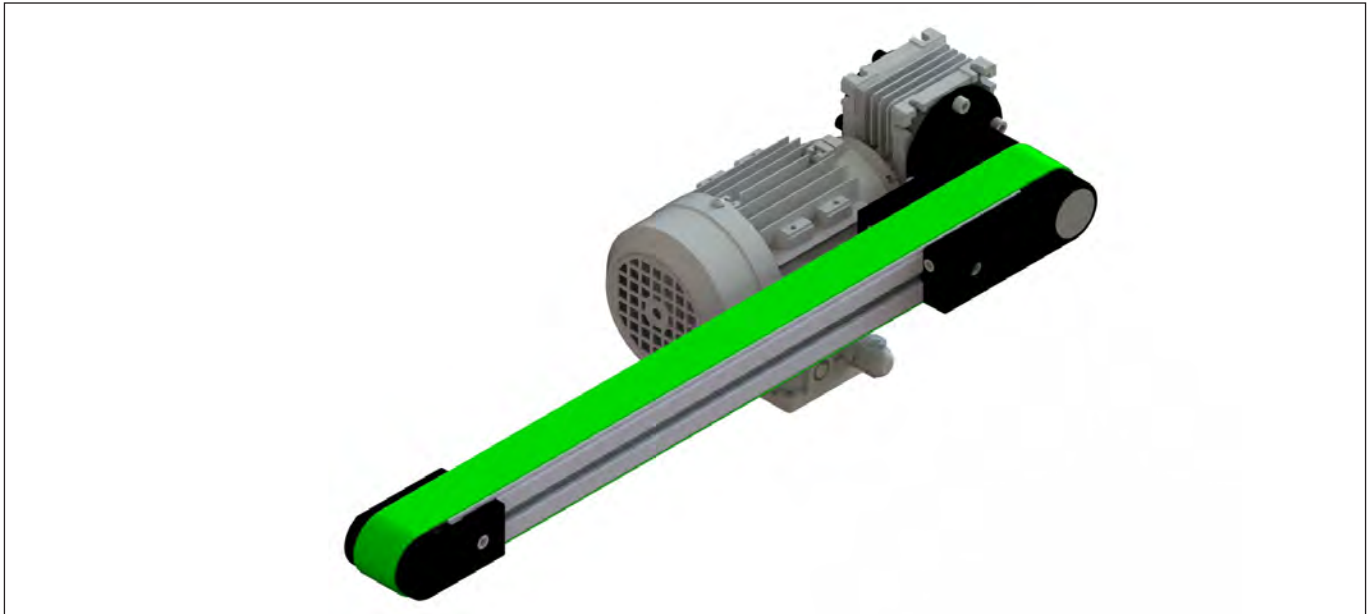
- ✘ 230 V single-phase and 230/400 V three-phase
 - ✘ Speed (m/min) +/- 10%:
2 - 3 - 6 - 9 - 12 - 18 - 24
 - ✘ 24 VDC on request
- Gear motors data: see page 100

Belts

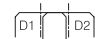
Installation tension: 0,5 % maxi
Belts data: see page 98

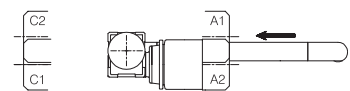
Permissible loads: see loads data page 9.





Gear motors positions (see page 100)

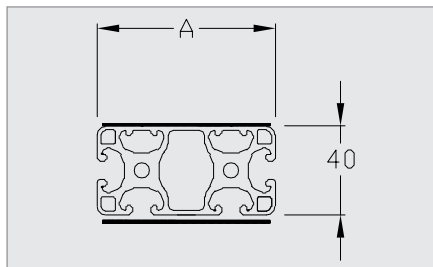
 Right motors



 Left motors

Designation / Dimensions	Order unit	Reference
Conveyor 40 Flat belt End drive	1 pce	C XXX 50 000

(XXX = Width A of conveyor eg: C 040 50 000)



Conveyor 40

Flat belt

End drive, motor below

Widths 40, 80, 120, 160, 200, 250, 300, 400 mm

Technical data

Compact conveyor on profiles 8 basis 40 mm, for all kinds of components.

Positioned below, the motor facilitates the integration.

- ✘ Drive of the extremity pulley with timing belt 5 mm step width 32mm
- ✘ Steel pulleys with ball bearings
- ✘ Stainless steel plate from 200 to 400, otherwise on option

Dimensions (mm)

- ✘ Width A: 40 - 80 - 120 - 160 - 200 - 250 - 300 - 400
- ✘ Length L: 400 to 6 000
- ✘ Width of belt: A-5
- ✘ Length of belt: $L_c = (2 \times L) + 132$
- ✘ Overall length:
 $L_h = L + 42 + 2 \text{ thickness of belt} + \text{tension}$
- ✘ Length of profile: $LP = L - 52,5$

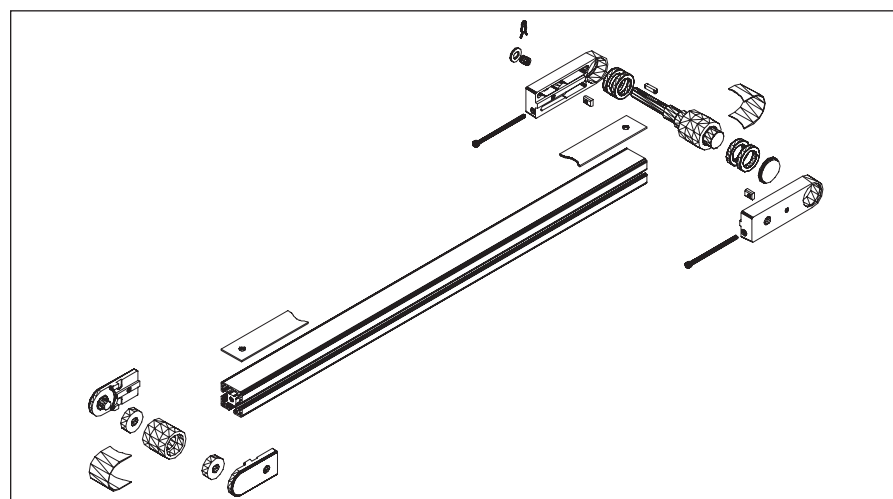
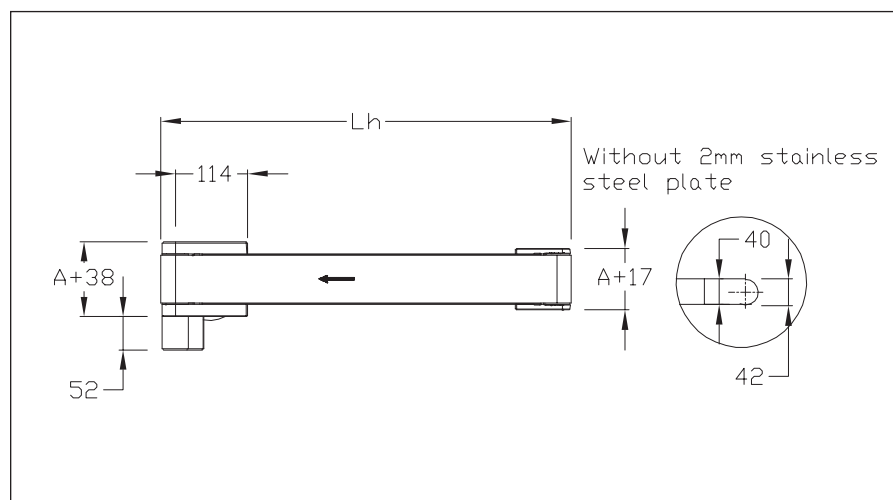
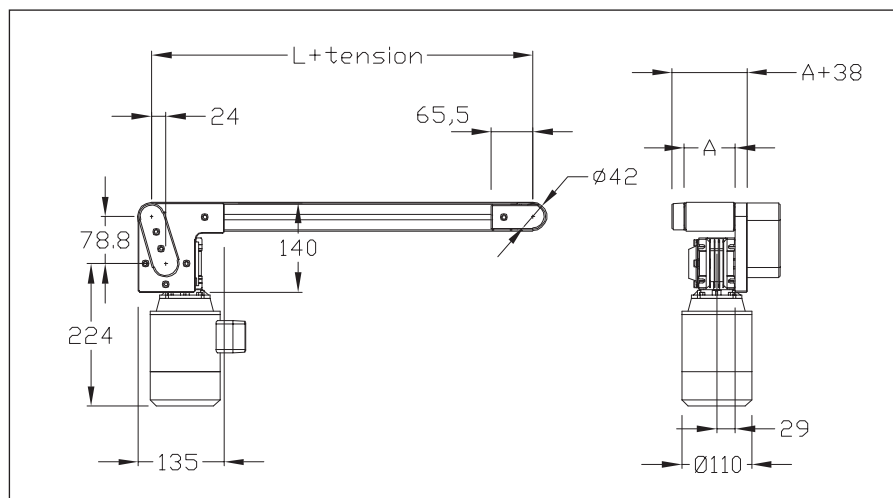
Gear motors

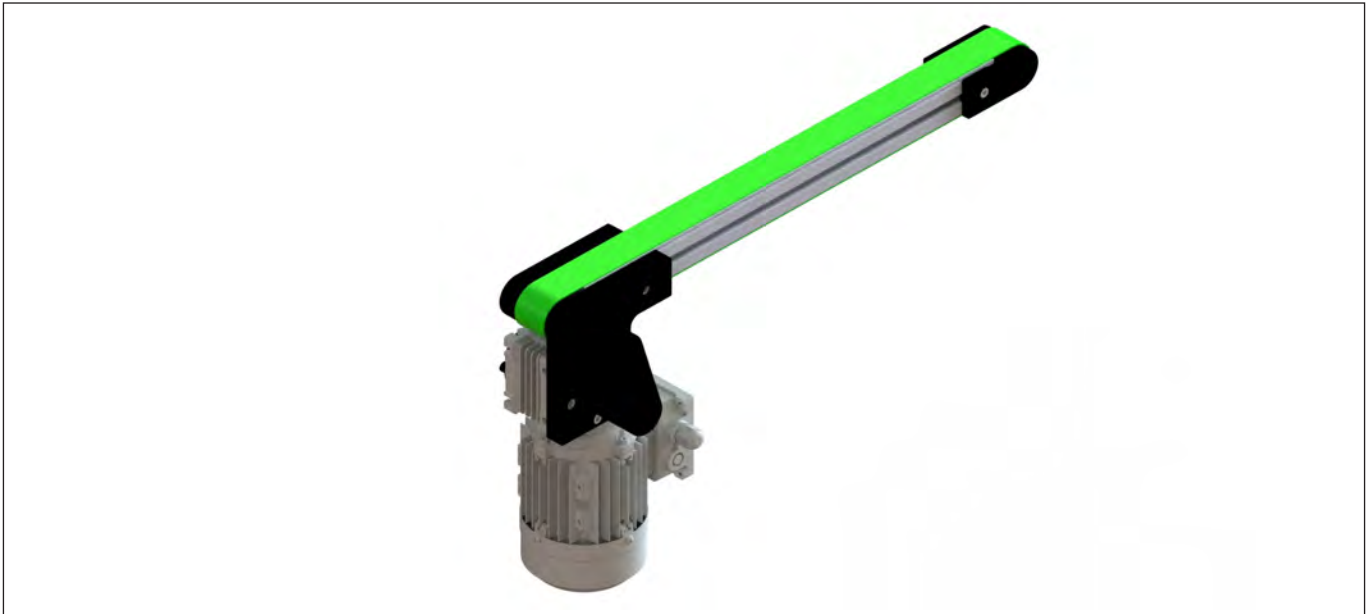
- ✘ 230 V single-phase and 230/400 V three-phase
 - ✘ Speed (m/min) +/- 10%:
2 - 3 - 6 - 9 - 12 - 18 - 24
 - ✘ 24 VDC on request
- Gear motors data: see page 100

Belts

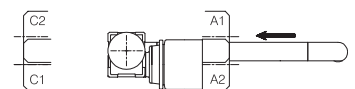
Installation tension: 0,5 % maxi
Belts data: see page 98

Permissible loads: see loads data page 9.





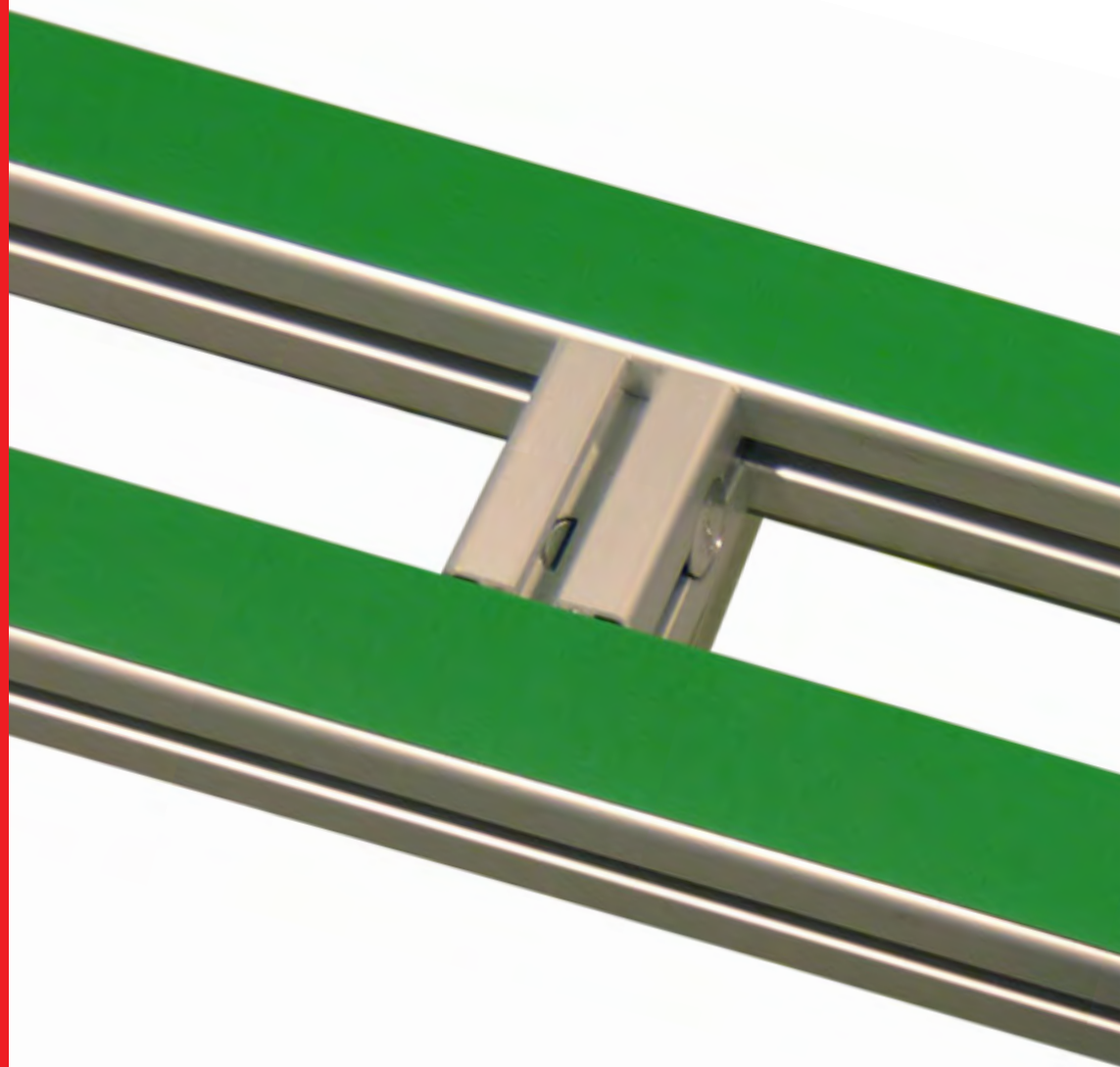
Gear motors positions (see page 100)

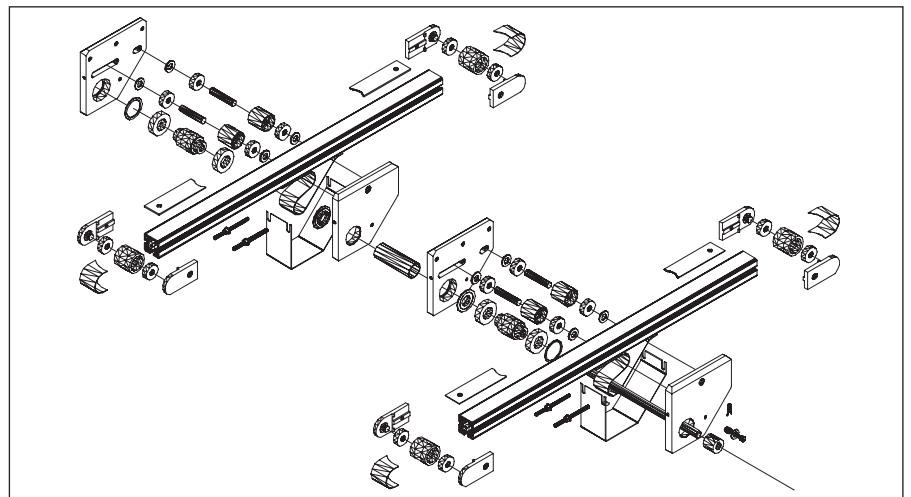
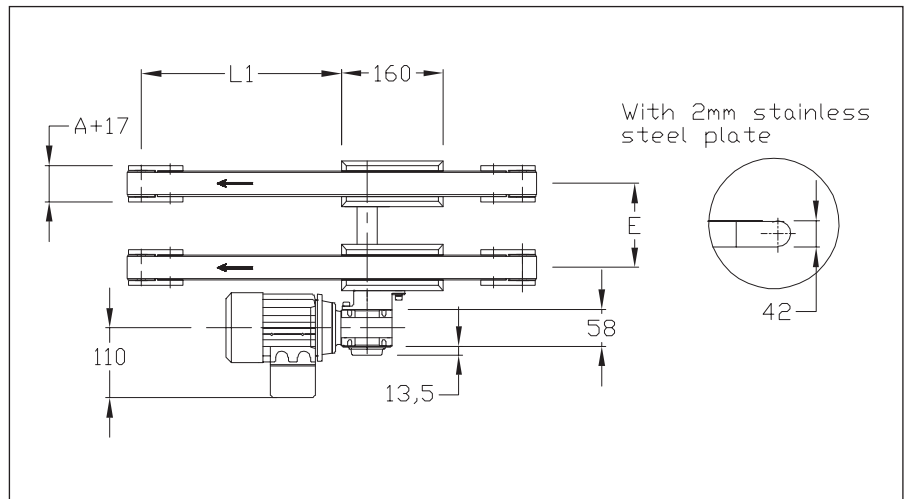
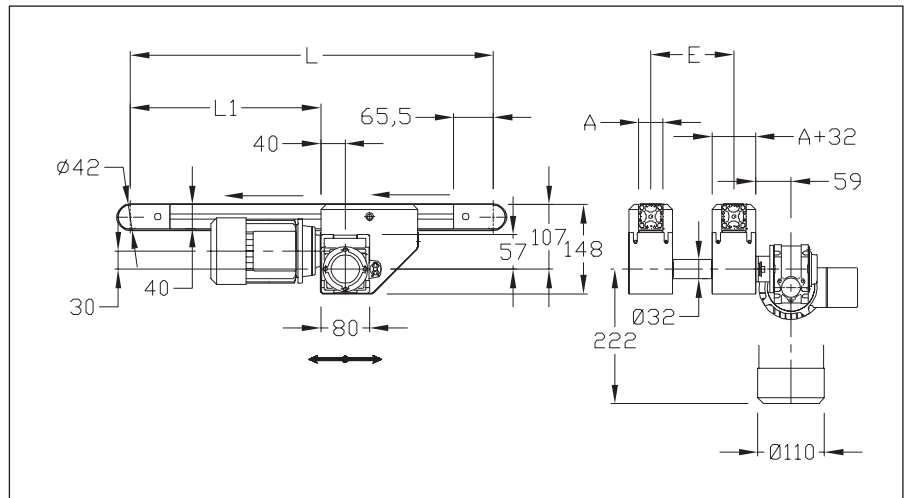
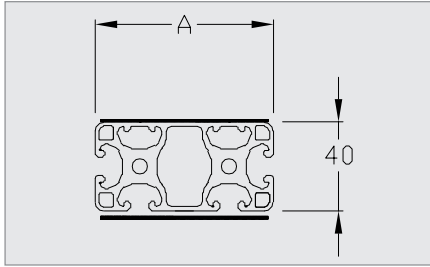


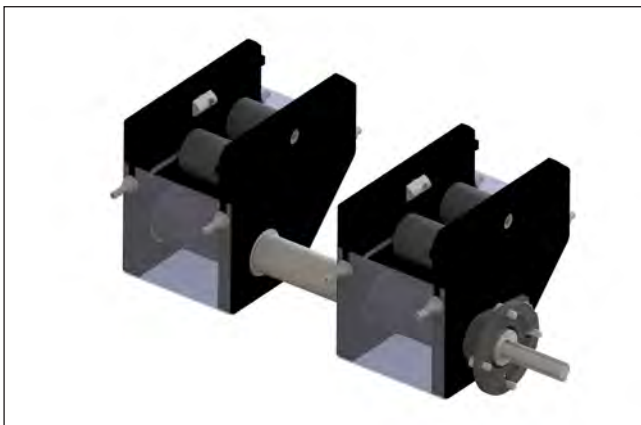
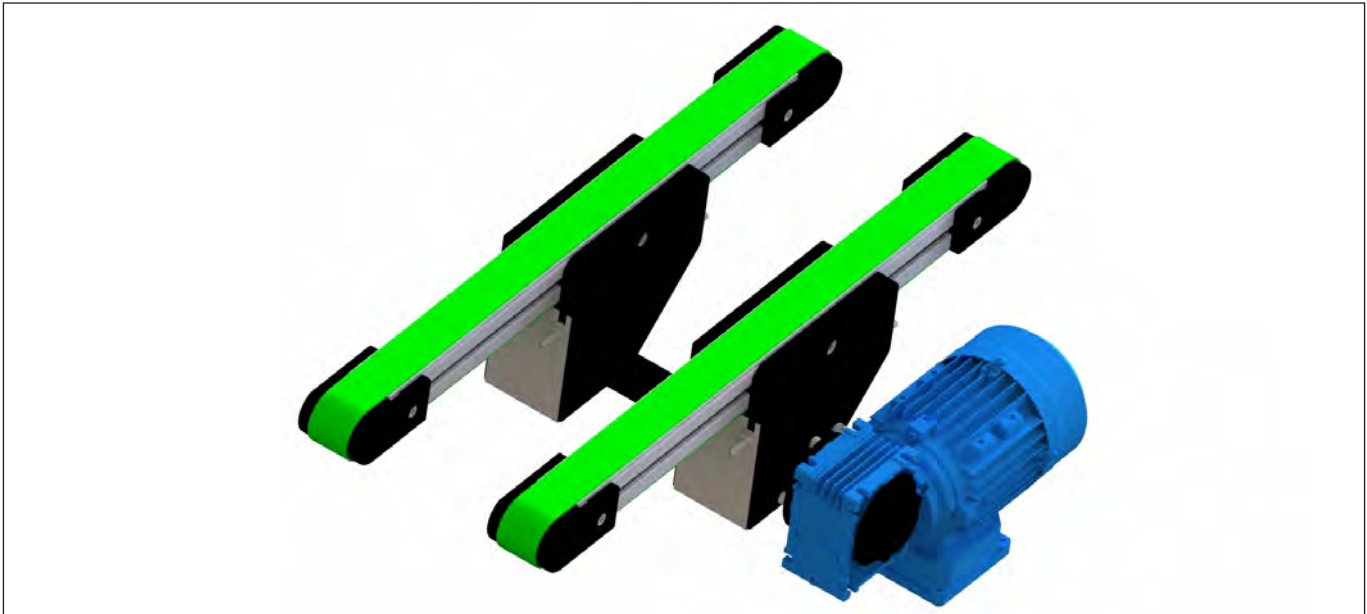
Designation / Dimensions	Order unit	Reference
Conveyor 40 Flat belt End drive Motor below Right	1 pce	C XXX 53 000D
Conveyor 40 Flat belt End drive Motor below Left	1 pce	C XXX 53 000G
Conveyor 40 Flat belt End drive Motor below Steel Right	1 pce	C XXX 53 000ID
Conveyor 40 Flat belt End drive Motor below Steel Left	1 pce	C XXX 53 000IG

(XXX = Width A of conveyor eg: C 040 53 000)

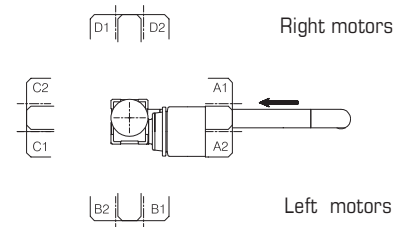
CONVEYOR 40 DOUBLE FLAT BELT



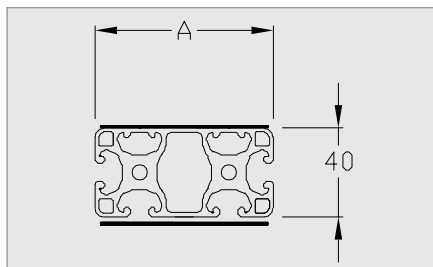




Gear motors positions (see page 100)



Designation / Dimensions	Order unit	Reference
Conveyor 40 Double flat belt Central drive External motor 40 mm	1 pce	C 040 20 000
Conveyor 40 Double flat belt Central drive External motor 80 mm	1 pce	C 080 20 000



Conveyor 40

Double flat belt
Central drive, internal motor
Widths 40, 80 mm

Technical data

Two parallel flat belt conveyors driven by only one motor, for large components.

Two belts enable the use of free space.

The internal mounting of the motor facilitates the integration.

- ✗ Adjustable position of the drive along the profile
- ✗ Distance between the 2 conveyors adaptable on request
- ✗ Stainless steel plate on option

Dimensions (mm)

- ✗ Width A: 40-80
- ✗ Length: L = 400 to 6 000
- ✗ Spacing between belts
E = 72 to 800
- ✗ Width of belt: A-5
- ✗ Length of belt:
 $L_c = (2 \times L + 375) \times 0,992$
- ✗ Length of profile: $L_P = L - 50$
- ✗ Center distance mini:
Width 40: 190
Width 80: 230
- ✗ Center distance maxi:
Width 40: 928
Width 80: 888

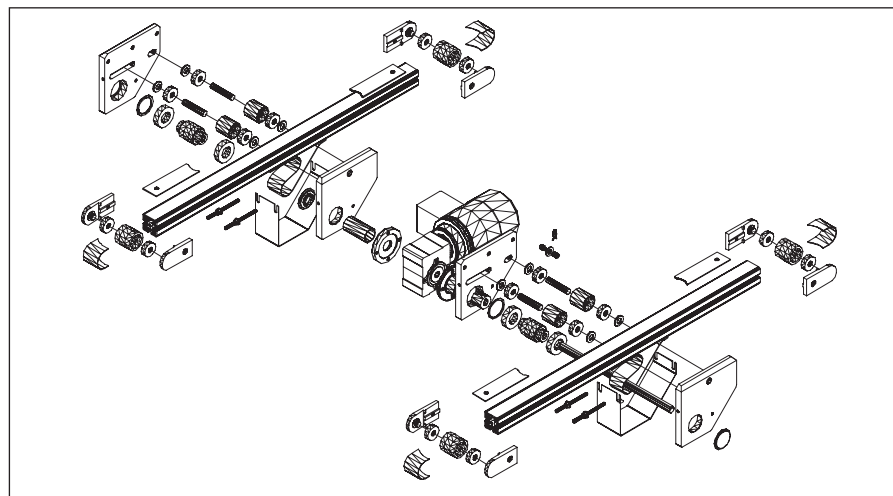
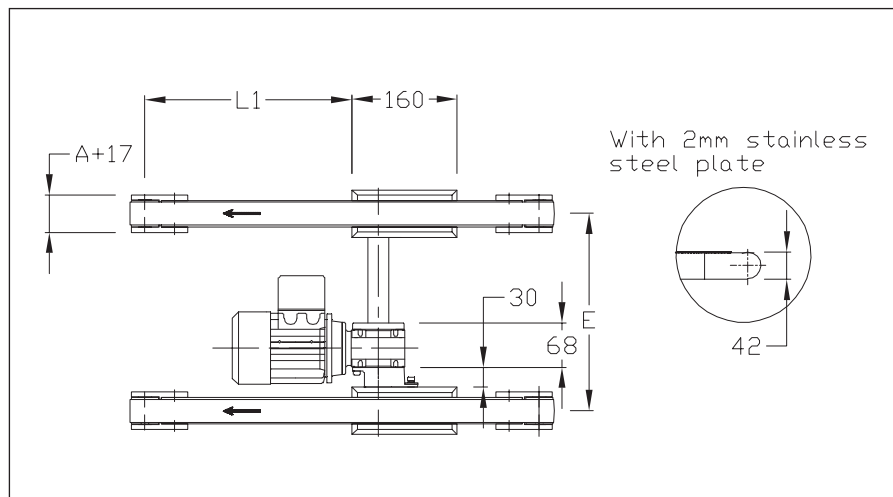
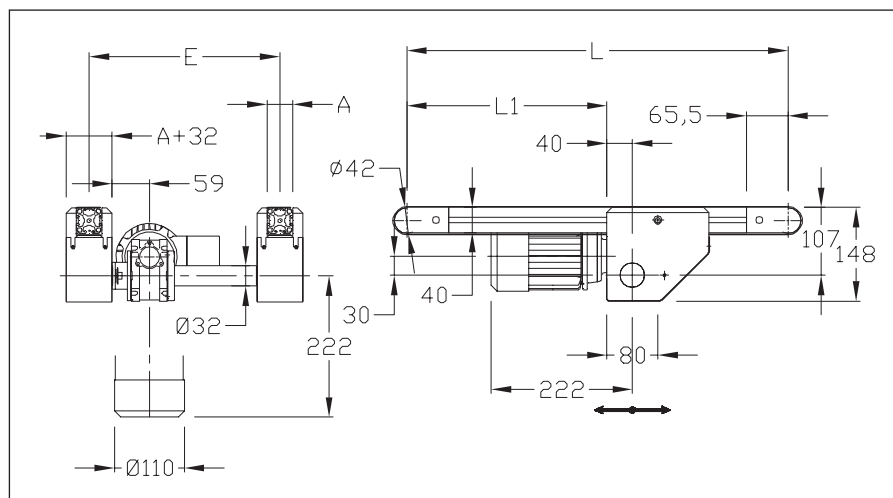
Gear motors

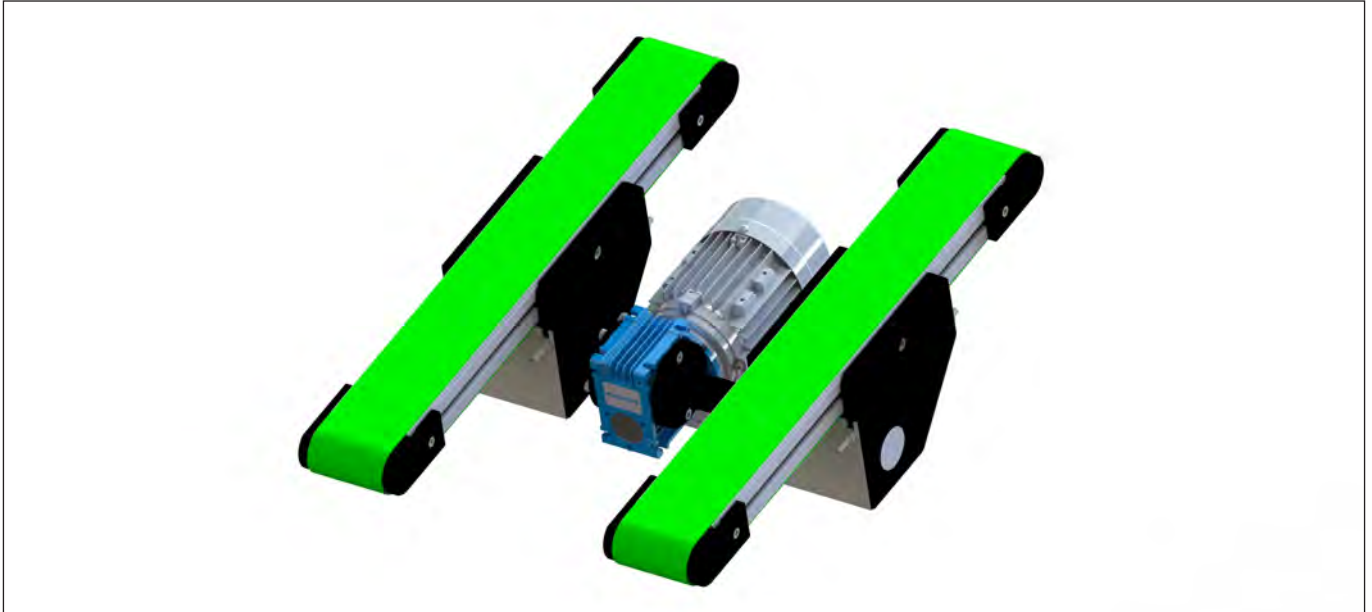
- ✗ 230 V single-phase and 230/400 V three-phase
 - ✗ Speed (m/min) +/- 10%:
2 - 3 - 6 - 9 - 12 - 18 - 24
 - ✗ 24 VDC on request
- Gear motors data: see page 100

Belts

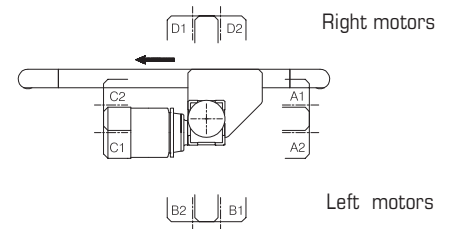
Installation tension: 0,5% maxi
 Belts data: see page 98

Permissible loads: see loads data page 9

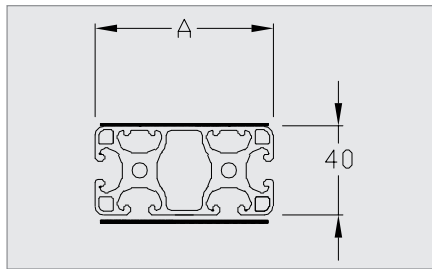




Gear motors positions (see page 100)



Designation / Dimensions	Order unit	Reference
Conveyor 40 Double flat belt Central drive Internal motor 40 mm	1 pce	C 040 23 000
Conveyor 40 Double flat belt Central drive Internal motor 80 mm	1 pce	C 080 23 000



Conveyor 40

Double flat belt

End drive

Widths 40, 80 mm

Technical data

Two parallel flat belt conveyors driven by only one motor, for large components.

Two belts enable the use of free space.

The internal mounting of the motor facilitates the integration.

- ✗ Drive on extremity drive pulley
- ✗ Steel pulleys with ball bearings
- ✗ Stainless steel plate on option

Dimensions (mm)

- ✗ Width A: 40 - 80
- ✗ Length: L = 400 to 6 000
- ✗ Spacing between belts
E = 72 to 800
- ✗ Width of belt: A-5
- ✗ Length of belt:
Lc = (2xL) + 132
- ✗ Length of profile: LP = L-52.5
- ✗ Center distance mini:
Width 40: 98
Width 80: 138
- ✗ Center distance maxi:
Width 40: 834
Width 80: 794

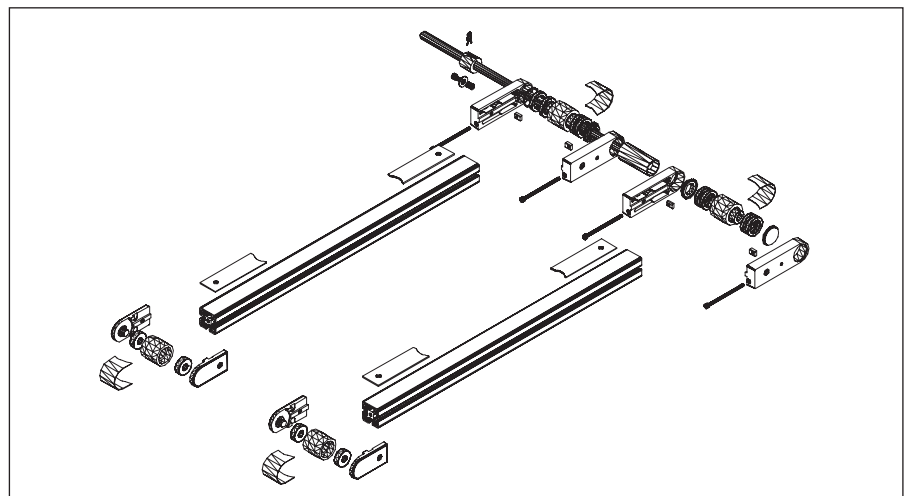
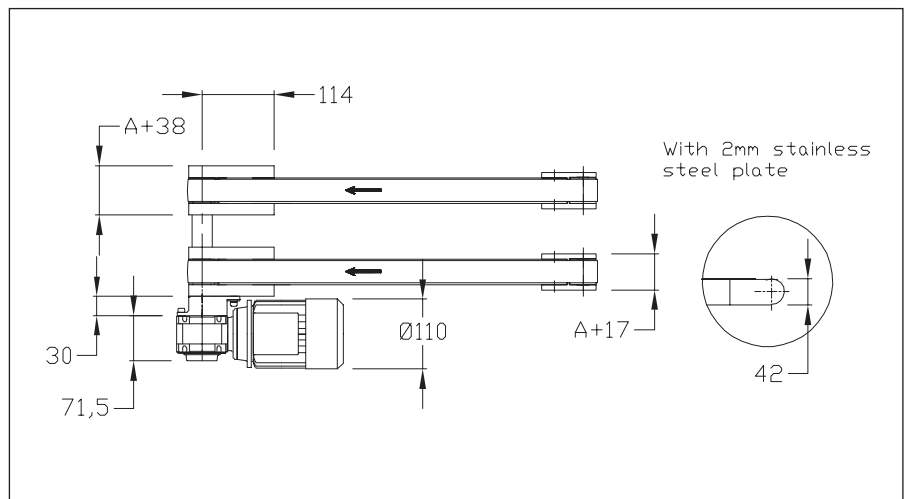
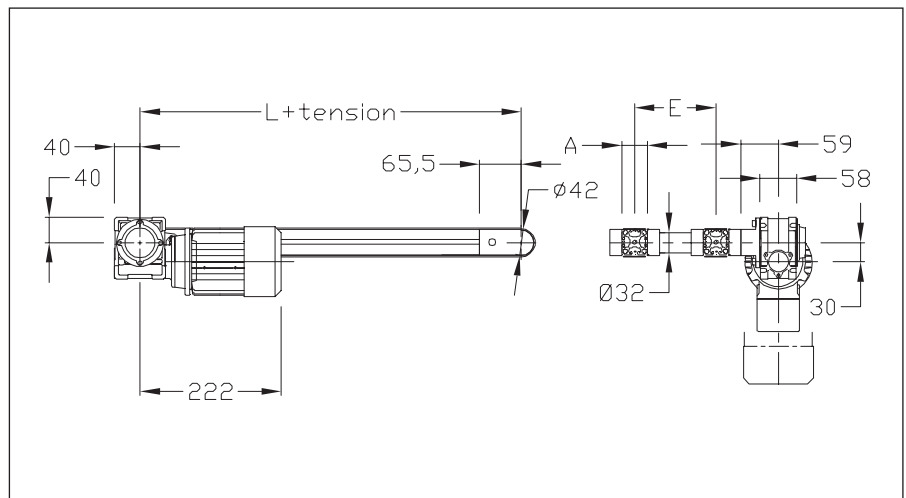
Gear motors

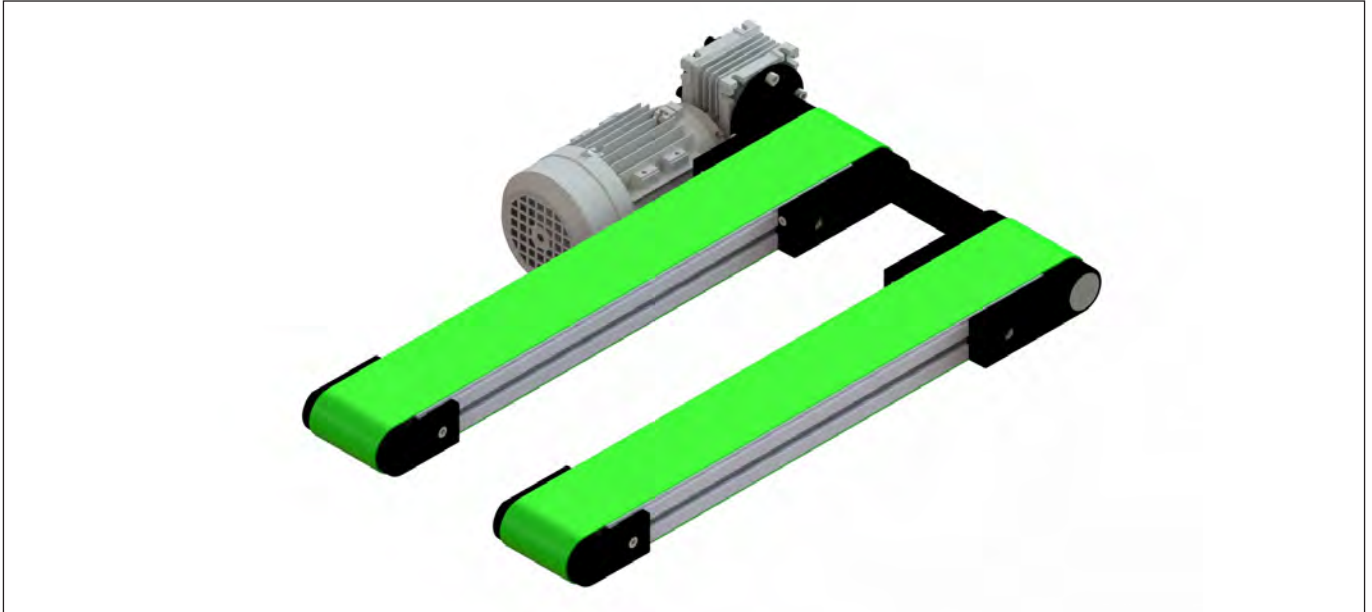
- ✗ 230 V single-phase and 230/400 V three-phase
 - ✗ Speed (m/min) +/- 10%:
2 - 3 - 6 - 9 - 12 - 18 - 24
 - ✗ 24 VDC on request
- Gear motors data: see page 100

Belts

Installation tension: 0,5% maxi
Belts data: see page 98

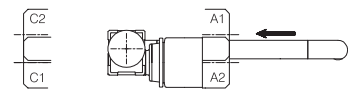
Permissible loads: see loads data page 9





Gear motors positions (see page 100)

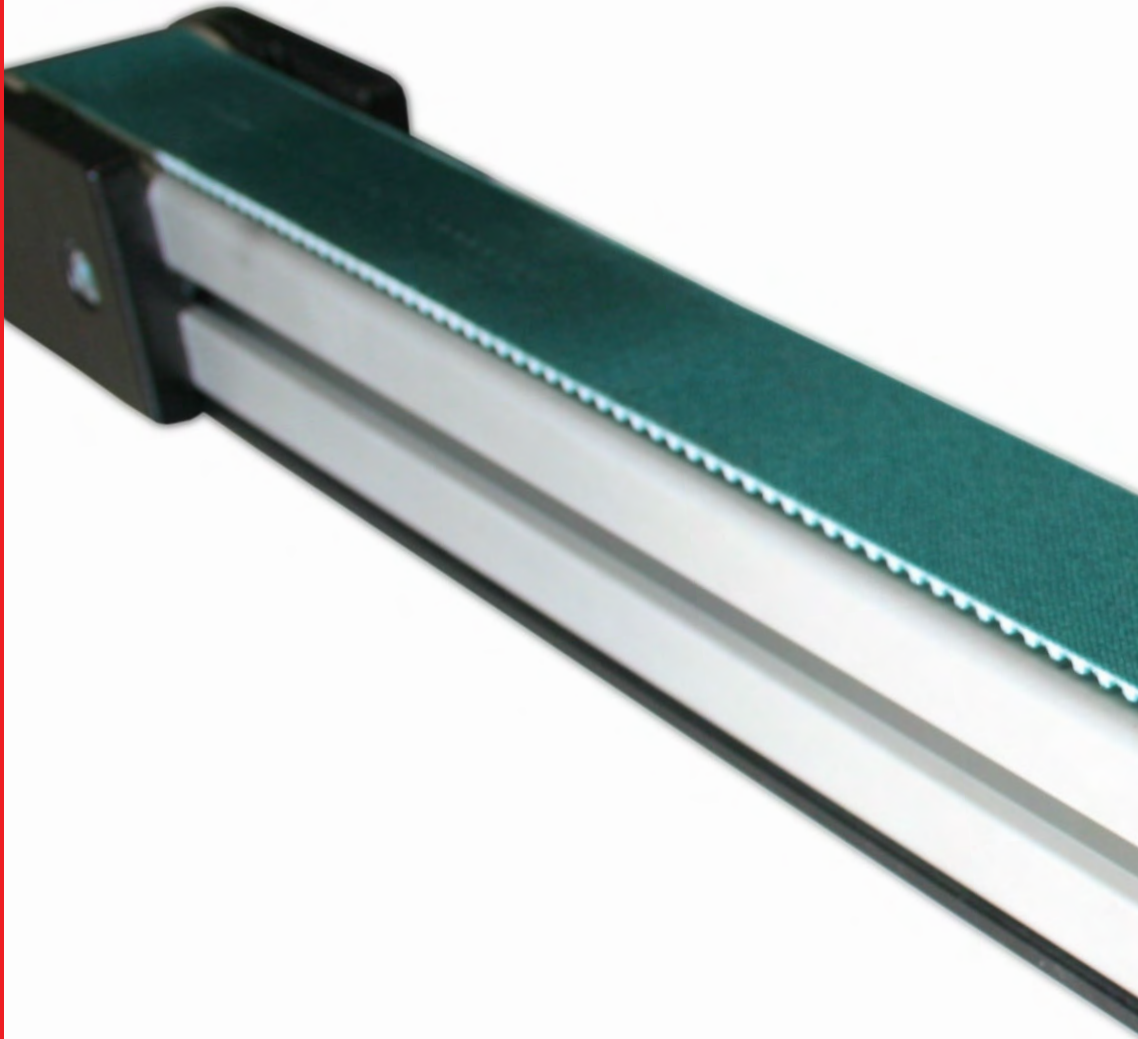
 Right motors



 Left motors

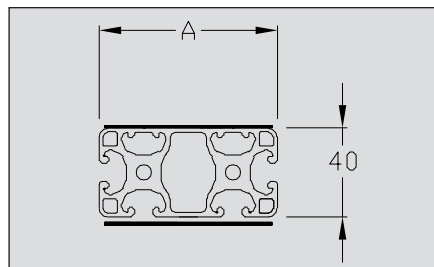
Designation / Dimensions	Order unit	Reference
Conveyor 40 Double flat belt End drive 40 mm	1 pce	C 040 40 000
Conveyor 40 Double flat belt End drive 80 mm	1 pce	C 080 40 000

CONVEYOR 40 TIMING BELT





C 000 50 006



Conveyor 40

Timing belt
Central drive
Widths 40, 80 mm

Technical data

Compact conveyor on profiles 8 basis 40 mm, for all kinds of components.
Positive driving belt for heavy loads.

- ✘ Adjustable position of the drive along the profile
- ✘ Pulleys with ball bearings
- ✘ Guiding belt PA material
- ✘ Timing belt, 5 mm step

Dimensions (mm)

- ✘ Width A: 40 - 80
- ✘ Length L: 400 to 6 000
- ✘ Width of belt: 32 and 72 mm
- ✘ Length of belt
 $L_c = (2 \times L + 368) \times 0,999$
- ✘ Length of profile: $LP = L - 51$

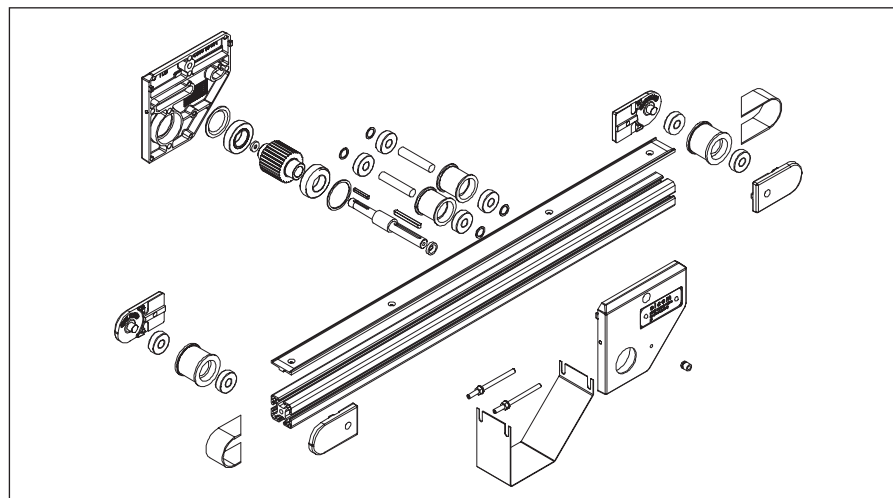
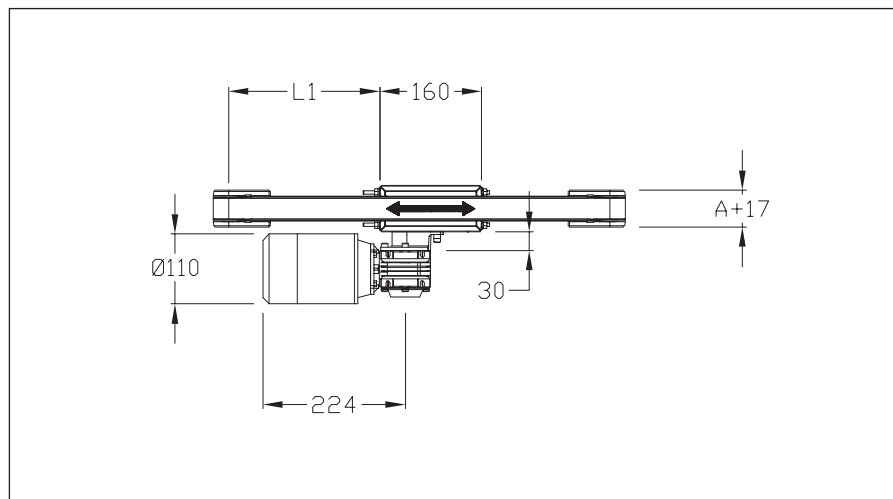
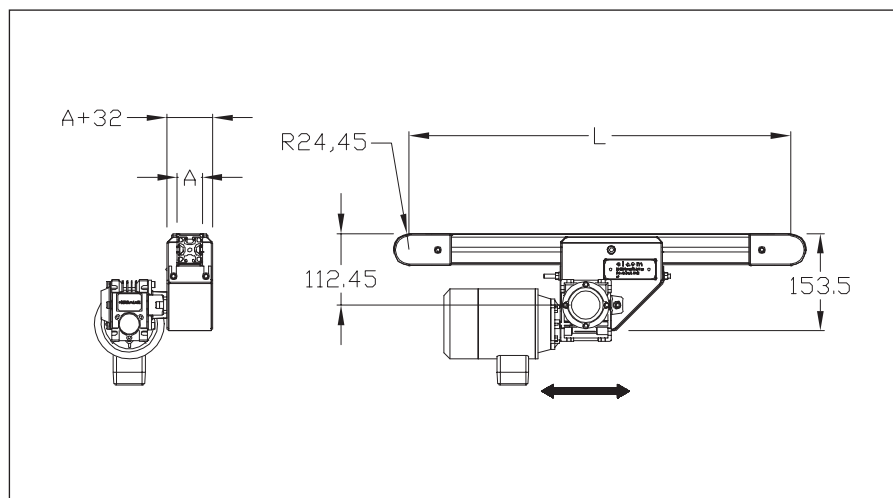
Gear motors

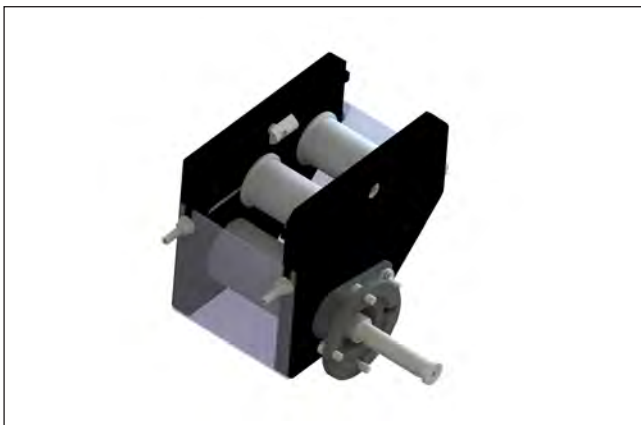
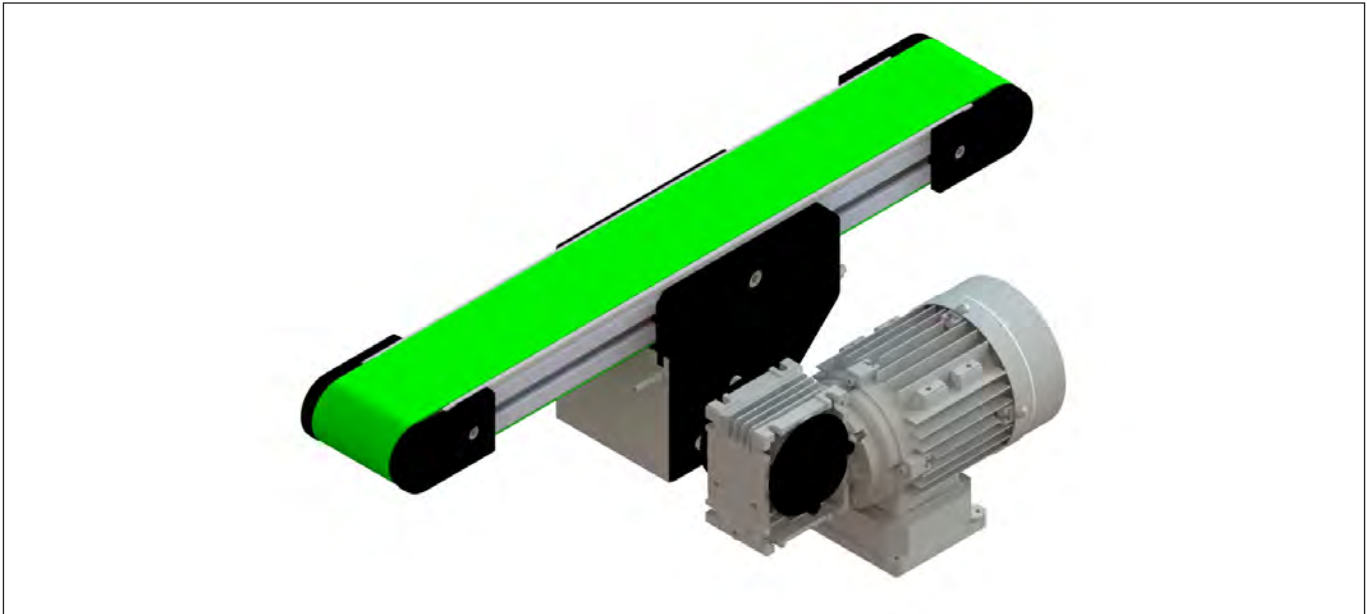
- ✘ 230 V single-phase and 230/400 V three-phase
 - ✘ Speed (m/min) +/- 10%:
2 - 3 - 6 - 9 - 12 - 18 - 24
 - ✘ 24 VDC on request
- Gear motors data: see page 100

Belts

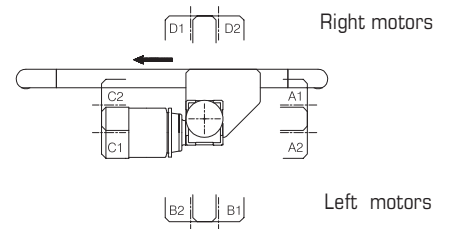
Installation tension: 0,1 %
Belts data: see page 98

Permissible loads: see loads data page 9

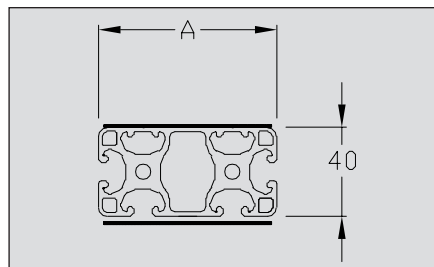




Gear motors positions (see page 100)



Designation / Dimensions	Order unit	Reference
Conveyor 40 Timing belt Central drive 40 mm	1 pce	C 040 11 000
Conveyor 40 Timing belt Central drive 80 mm	1 pce	C 080 11 000



Conveyor 40

Timing belt
End drive
Widths 40, 80 mm

Technical data

Compact conveyor on profiles 8 basis 40 mm, for all kinds of components. Positive driving belt for heavy loads.

- ✘ Pulleys with ball bearings
- ✘ Guiding belt PA material
- ✘ Timing belt, 5 mm step

Dimensions (mm)

- ✘ Width A: 40 - 80
- ✘ Length L: 400 to 6 000
- ✘ Width of belt: 32 and 72 mm
- ✘ Length of belt
 $L_c = (2 \times L + 152) \times 0,999$
- ✘ Length of profile: $LP = L - 68,5$

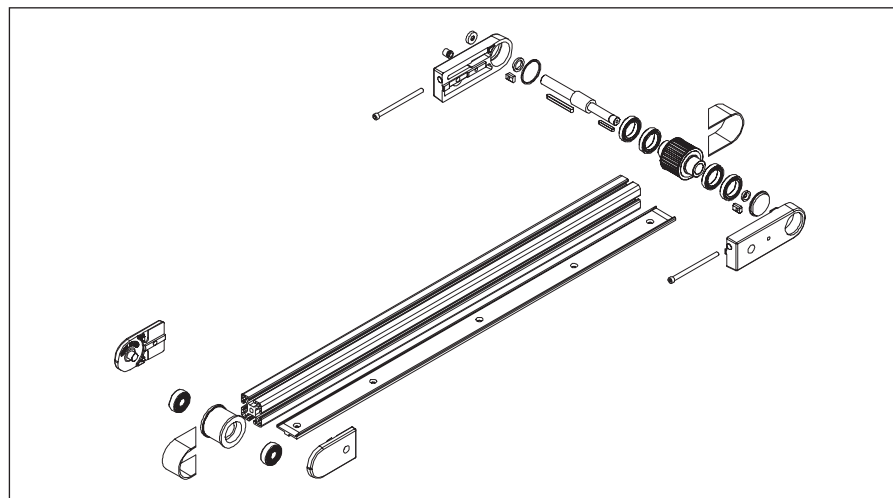
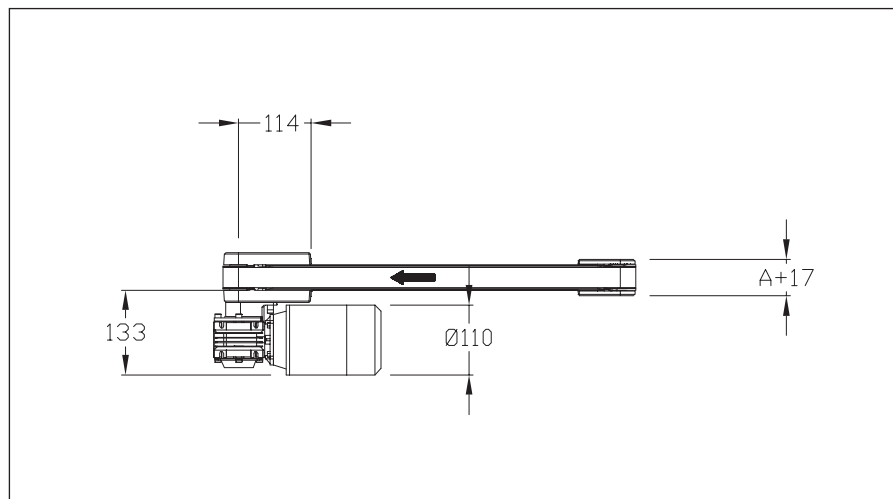
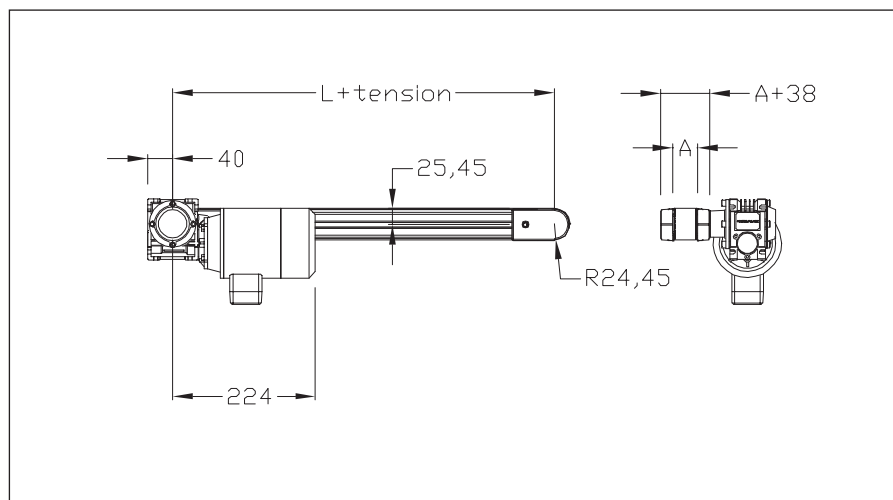
Gear motors

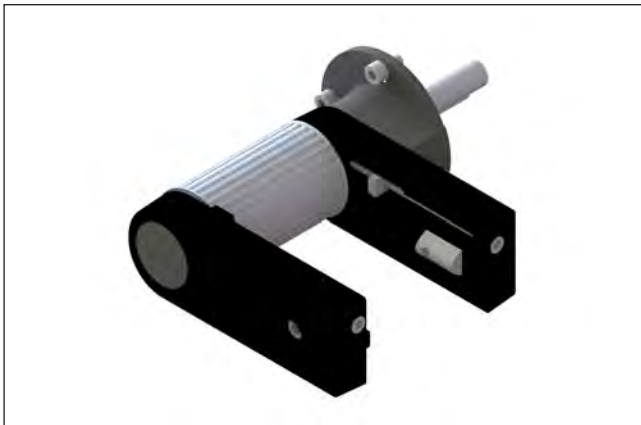
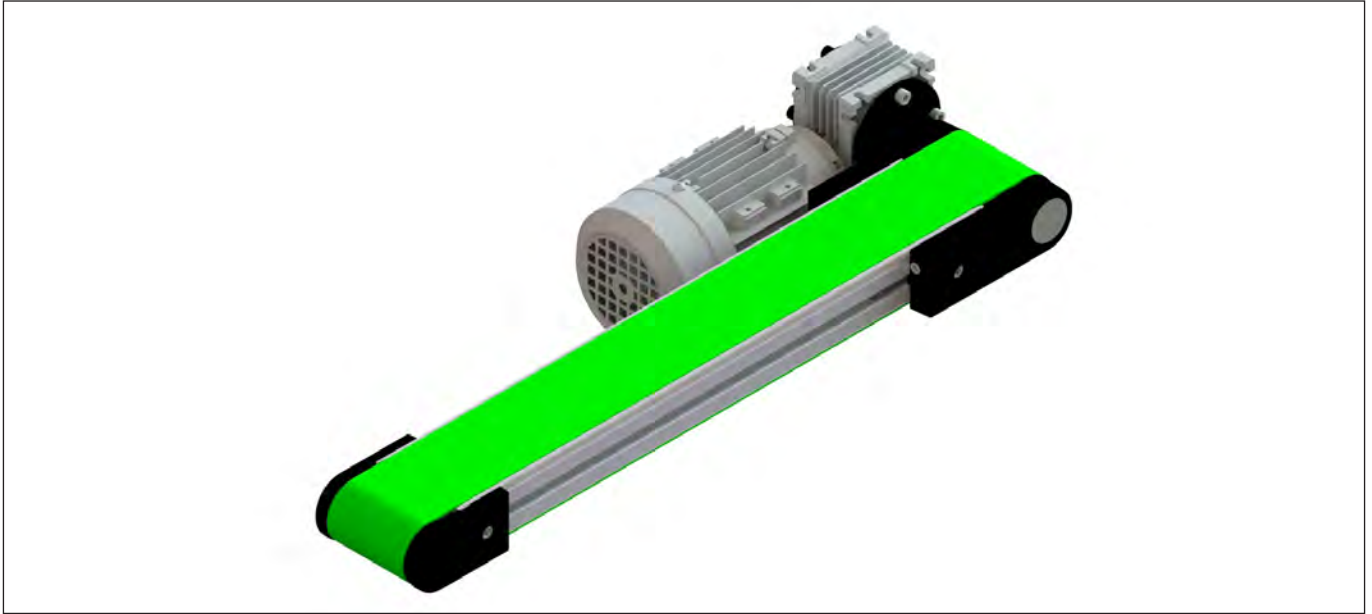
- ✘ 230 V single-phase and 230/400 V three-phase
 - ✘ Speed (m/min) +/- 10%:
2 - 3 - 6 - 9 - 12 - 18 - 24
 - ✘ 24 VDC on request
- Gear motors data: see page 100

Belts

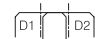
Installation tension: 0,1 %
Belts data: see page 98

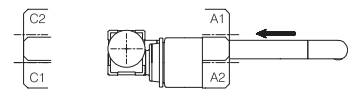
Permissible loads: see loads data page 9





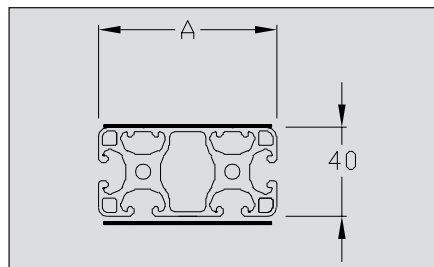
Gear motors positions (see page 100)

 Right motors



 Left motors

Designation / Dimensions	Order unit	Reference
Conveyor 40 Timing belt End drive 40 mm	1 pce	C 040 51 000
Conveyor 40 Timing belt End drive 80 mm	1 pce	C 080 51 000



Conveyor 40

Timing belt
End drive, Motor below
Widths 40, 80 mm

Technical data

Compact conveyor on profiles 8 basis 40 mm, for all kinds of components.
 Positive driving belt for heavy loads.
 Positioned below, the motor facilitates the integration.

- ✘ Drive of the extremity pulley with timing belt 5 mm step width 32mm
- ✘ Pulleys with ball bearings
- ✘ Guiding belt PA material
- ✘ Timing belt, 5 mm step

Dimensions (mm)

- ✘ Width A: 40 - 80
- ✘ Length L: 400 to 6 000
- ✘ Width of belt: 32 and 72 mm
- ✘ Length of belt:
 $L_c = (2xL+152) \times 0,999$
- ✘ Length of profile: $LP = L-68,5$

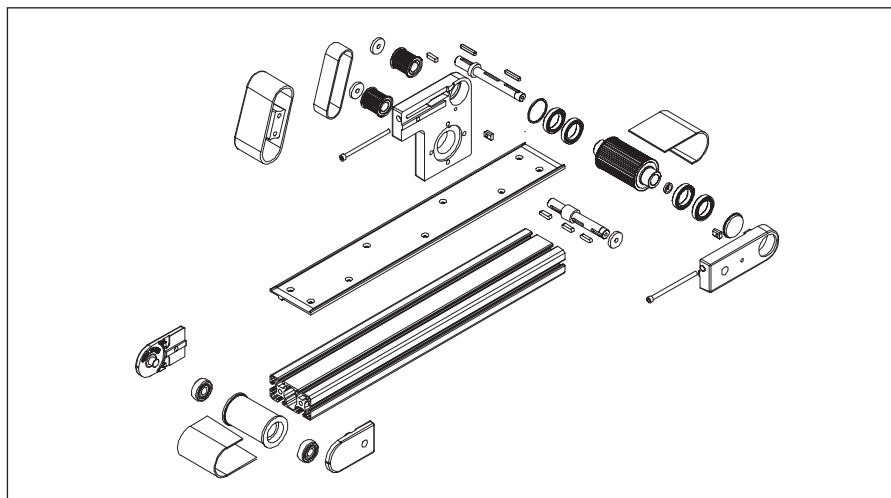
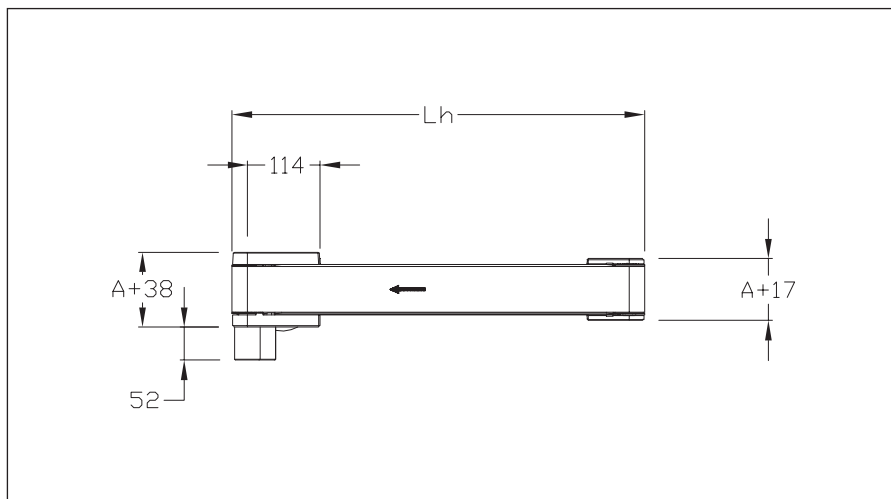
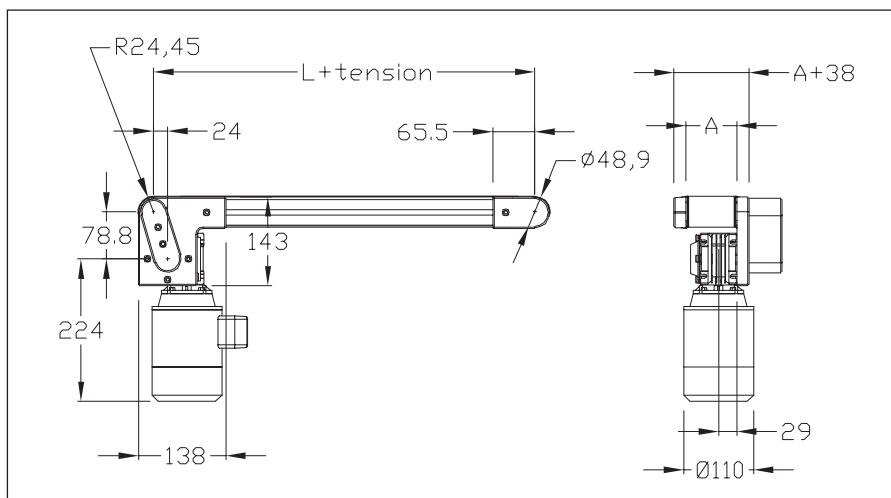
Gear motors

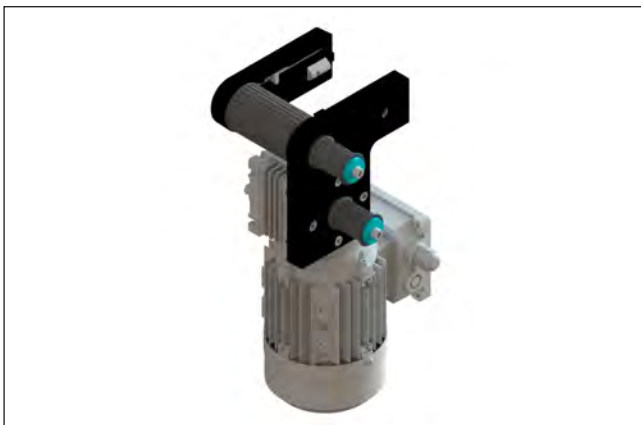
- ✘ 230 V single-phase and 230/400 V three-phase
 - ✘ Speed (m/min) +/- 10 %:
 2 - 3 - 6 - 9 - 12 - 18 - 24
 - ✘ 24 VDC on request
- Gear motors data: see page 100

Belts

Installation tension: 0,1 %
 Belts data: see page 98

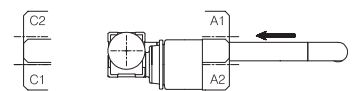
Permissible loads: see loads data page 9





Gear motors positions (see page 100)

 Right motors

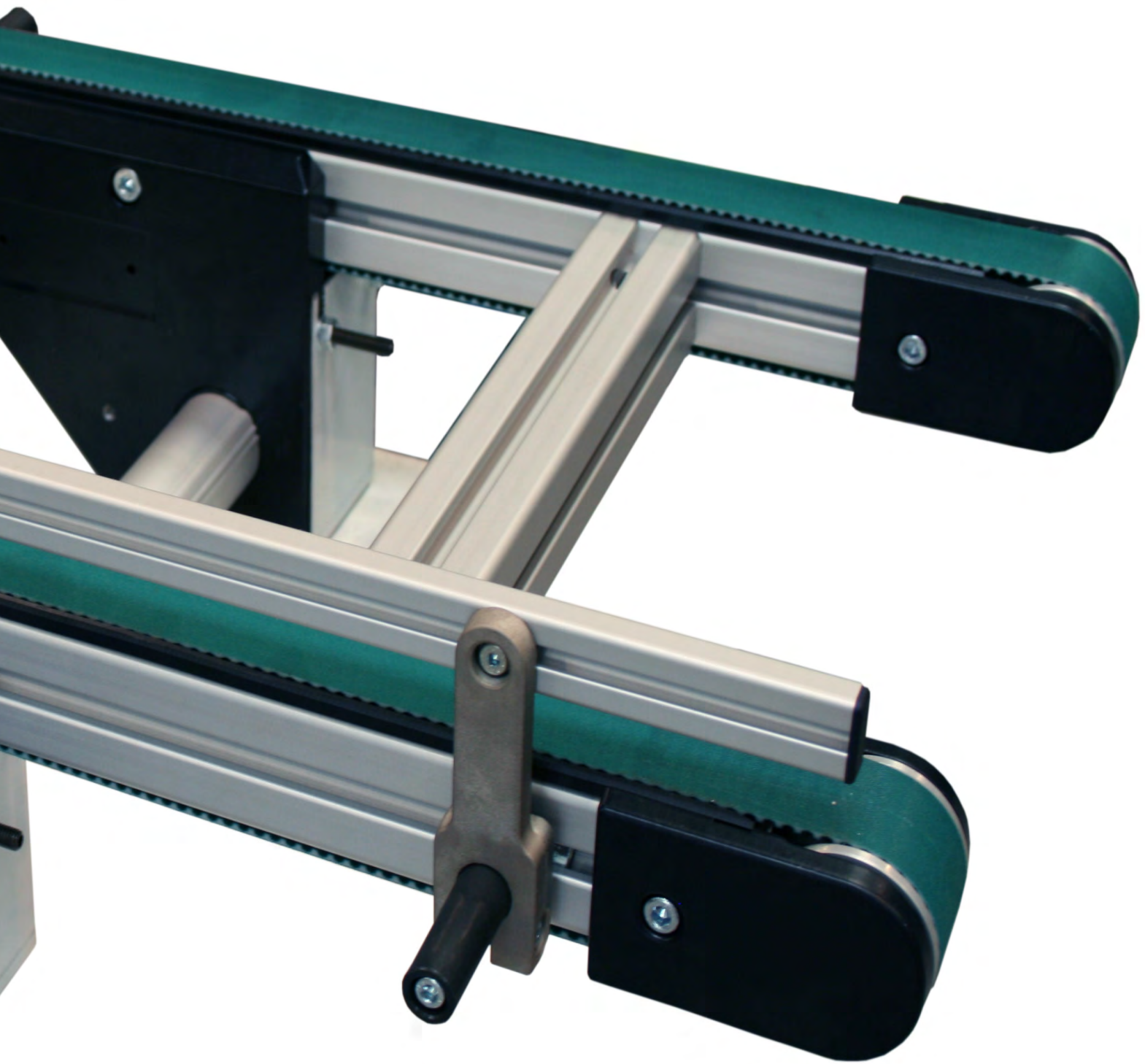


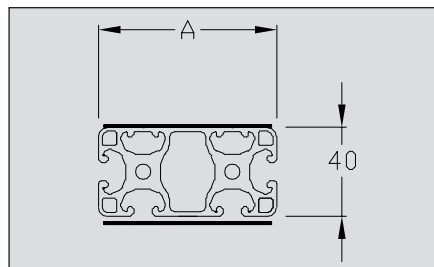
 Left motors

Designation / Dimensions	Order unit	Reference
Conveyor 40 Timing belt End drive Motor below 40 mm Right	1 pce	C 040 54 000D
Conveyor 40 Timing belt End drive Motor below 40 mm Left	1 pce	C 040 54 000G
Conveyor 40 Timing belt End drive Motor below 80 mm Right	1 pce	C 080 54 000D
Conveyor 40 Timing belt End drive Motor below 80 mm Left	1 pce	C 080 54 000G

CONVEYOR 40 DOUBLE TIMING BELT







Conveyor 40

Double timing belt
Central drive, external motor
Widths 40, 80 mm

Technical data

Two parallel flat belt conveyors driven by only one motor, for large components.
 Two belts enable the use of free space.
 Positive driving belt for heavy loads.
 Synchronization of the 2 belts

- ✗ Adjustable position of the drive along the profile
- ✗ Pulleys with ball bearings
- ✗ Guiding belt PA material
- ✗ Timing belt, 5 mm step

Dimensions (mm)

- ✗ Width A: 40 - 80
- ✗ Length L: 400 to 6 000
- ✗ Width of belt: 32 and 72 mm
- ✗ Length of belt
 $L_c = (2 \times L + 368) \times 0,999$
- ✗ Length of profile: $LP = L - 51$
- ✗ Center distance mini :
 Width 40: 108
 Width 80: 148
- ✗ Center distance maxi:
 Width 40: 1 000
 Width 80: 1 000

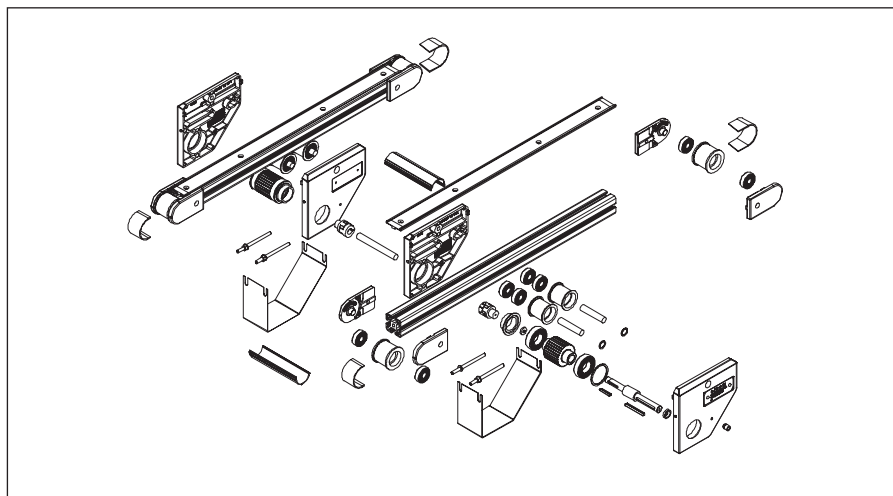
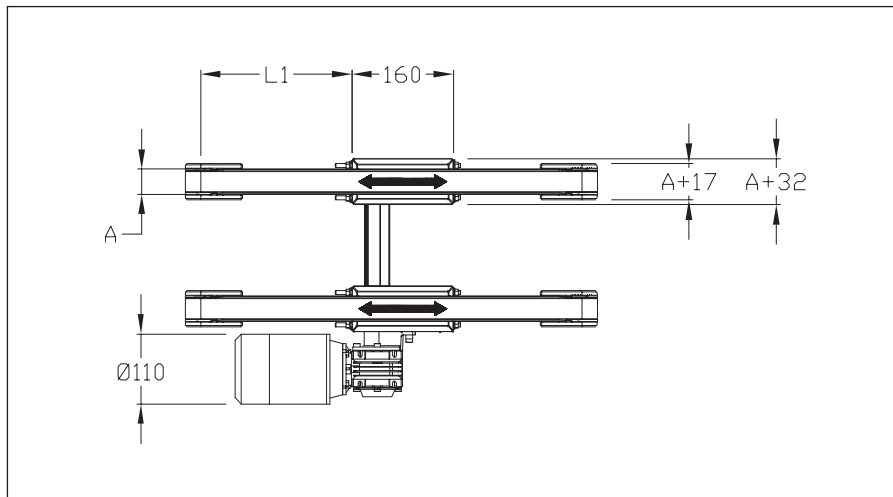
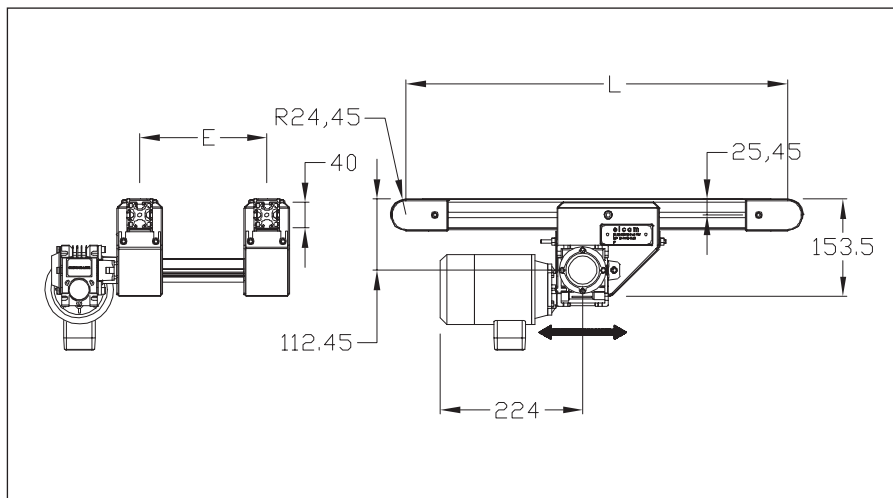
Gear motors

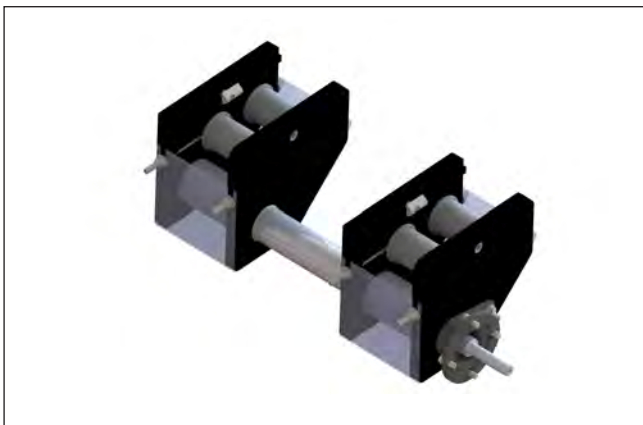
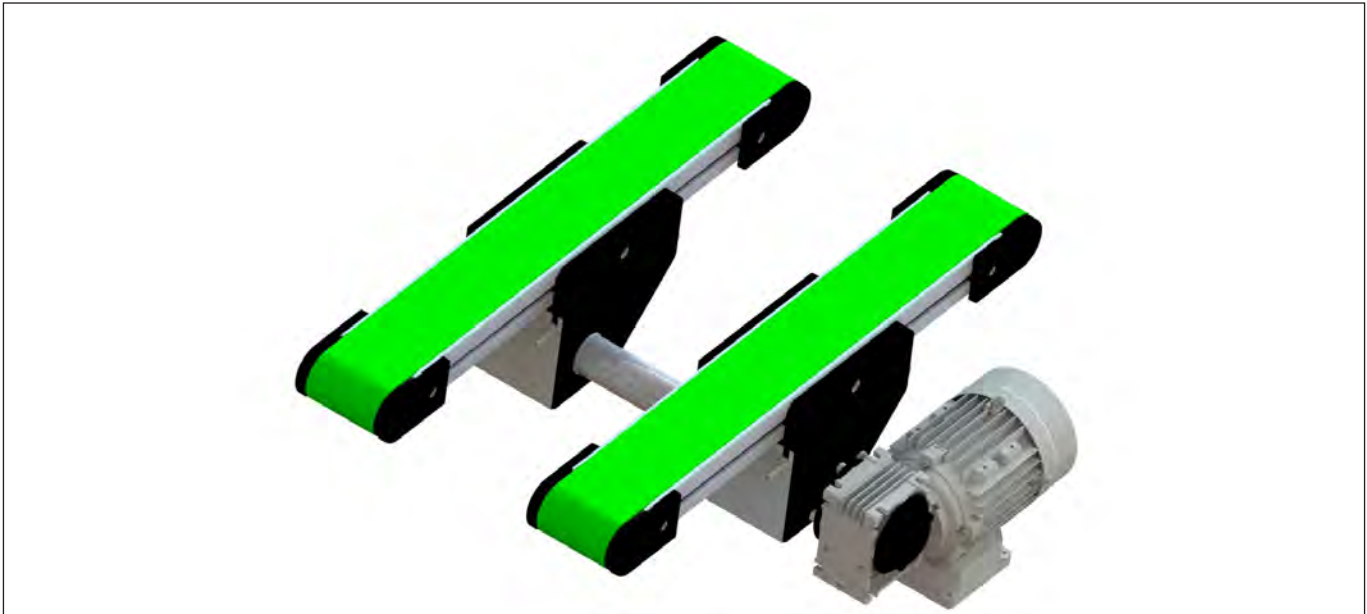
- ✗ 230 V single-phase and 230/400 V three-phase
 - ✗ Speed (m/min) +/- 10%:
 2 - 3 - 6 - 9 - 12 - 18 - 24
 - ✗ 24 VDC on request
- Gear motors data: see page 100

Belts

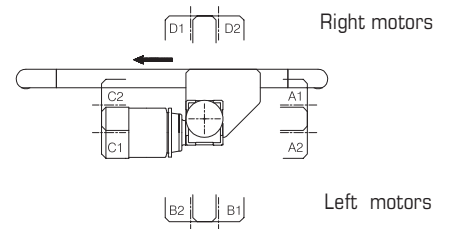
Installation tension: 0,1 %
 Belts data: see page 98

Permissible loads: see loads data page 9

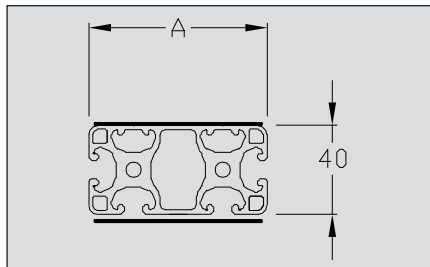




Gear motors positions (see page 100)



Designation / Dimensions	Order unit	Reference
Conveyor 40 Double timing belt Central drive Ext. motor 40 mm	1 pce	C 040 21 000
Conveyor 40 Double timing belt Central drive Ext. motor 80 mm	1 pce	C 080 21 000



Conveyor 40

Double timing belt
Central drive, Internal motor
Widths 40, 80 mm

Technical data

Two parallel flat belt conveyors driven by only one motor, for large components.
 Two belts enable the use of free space. The internal mounting of the motor facilitates the integration.

Positive driving belt for heavy loads.

Synchronization of the 2 belts.

- ✘ Adjustable position of the drive along the profile
- ✘ Pulleys with ball bearings
- ✘ Guiding belt PA material
- ✘ Timing belt, 5 mm step

Dimensions (mm)

- ✘ Width A: 40 - 80
- ✘ Length L: 400 to 6 000
- ✘ Width of belt: 32 and 72 mm
- ✘ Length of belt
 $L_c = (2 \times L + 368) \times 0,999$
- ✘ Length of profile: $LP = L - 51$
- ✘ Center distance mini:
 Width 40: 206
 Width 80: 246
- ✘ Center distance maxi:
 Width 40: 1 000
 Width 80: 1 000

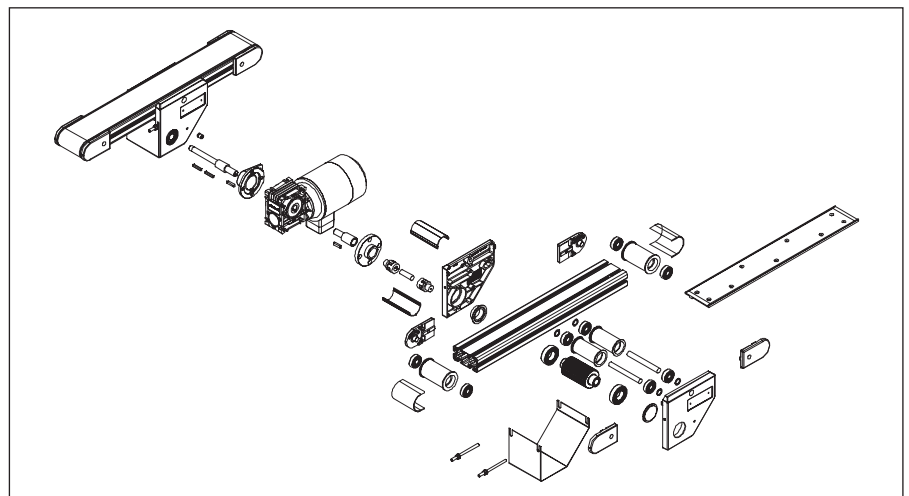
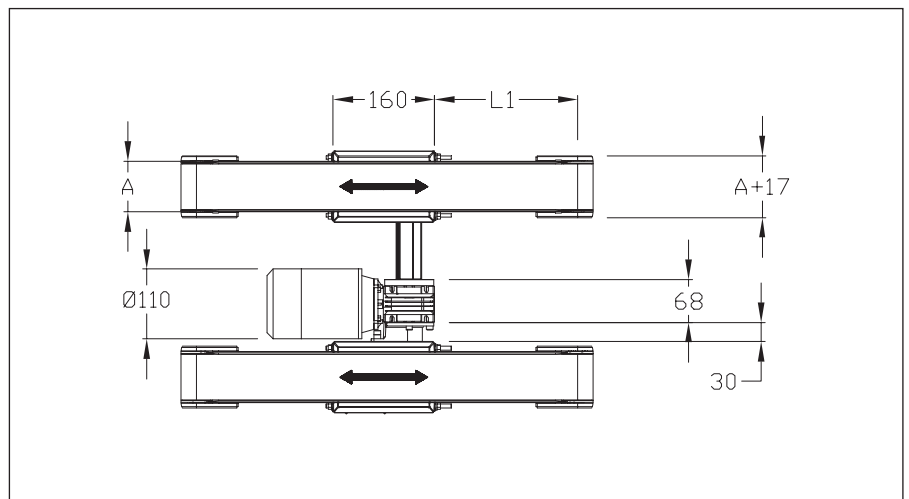
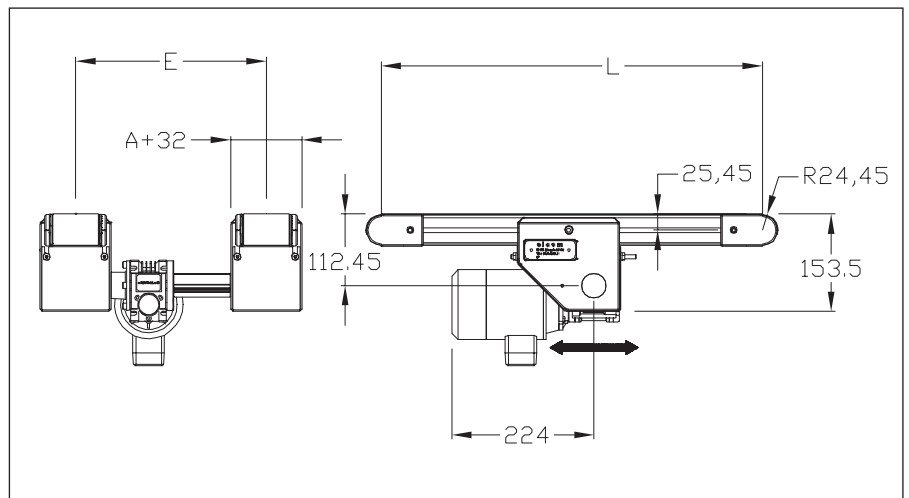
Gear motors

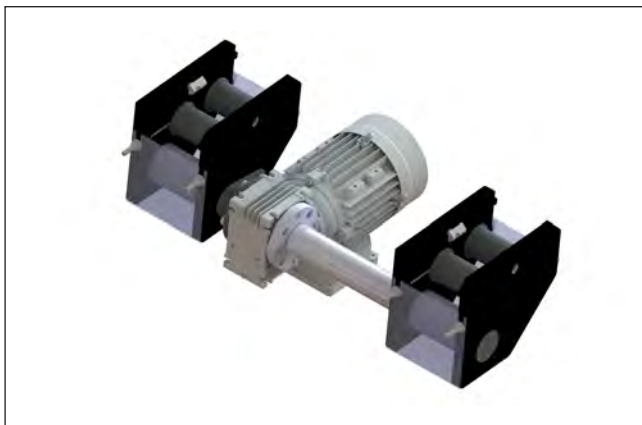
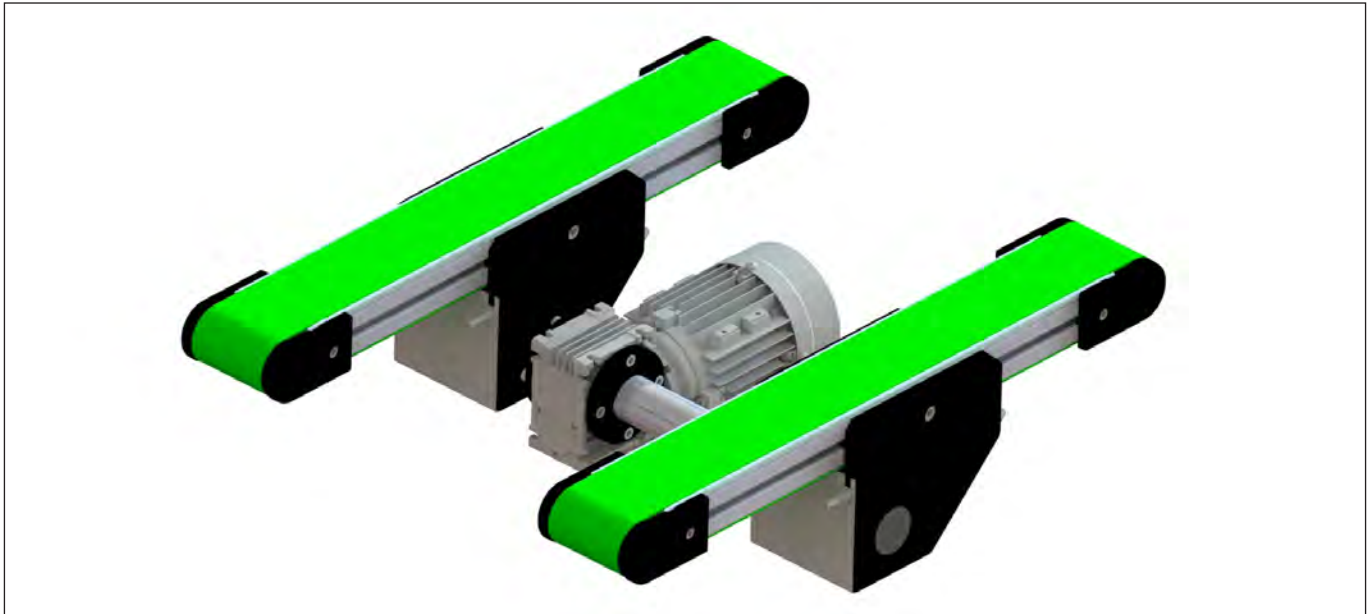
- ✘ 230 V single-phase and 230/400 V three-phase
 - ✘ Speed (m/min) +/- 10%:
 2 - 3 - 6 - 9 - 12 - 18 - 24
 - ✘ 24 VDC on request
- Gear motors data: see page 100

Belts

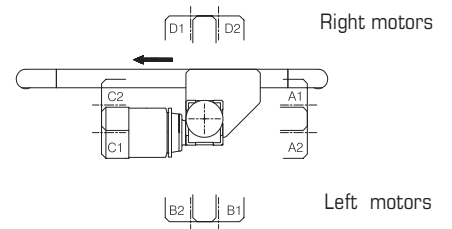
Installation tension: 0,1 %
 Belts data: see page 98

Permissible loads: see loads data page 9

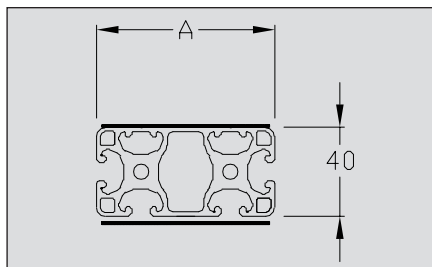




Gear motors positions (see page 100)



Designation / Dimensions	Order unit	Reference
Conveyor 40 Double timing belt Central drive Internal motor 40 mm	1 pce	C 040 22 000
Conveyor 40 Double timing belt Central drive Internal motor 80 mm	1 pce	C 080 22 000



Conveyor 40

Double timing belt

End drive

Widths 40, 80 mm

Technical data

Two parallel flat belt conveyors driven by only one motor, for large components.

Two belts enable the use of free space.

Positive driving belt for heavy loads.

- ✘ Pulleys with ball bearings
- ✘ Guiding belt PA material
- ✘ Timing belt, 5 mm step

Dimensions (mm)

- ✘ Width A: 40 - 80
- ✘ Length L: 400 to 6 000
- ✘ Width of belt: 32 and 72 mm
- ✘ Length of belt
 $L_c = (2 \times L + 152) \times 0,999$
- ✘ Length of profile: $LP = L - 68,5$
- ✘ Center distance mini:
 - Length 40: 114
 - Length 80: 154
- ✘ Center distance maxi:
 - Length 40: 1 000
 - Length 80: 1 000

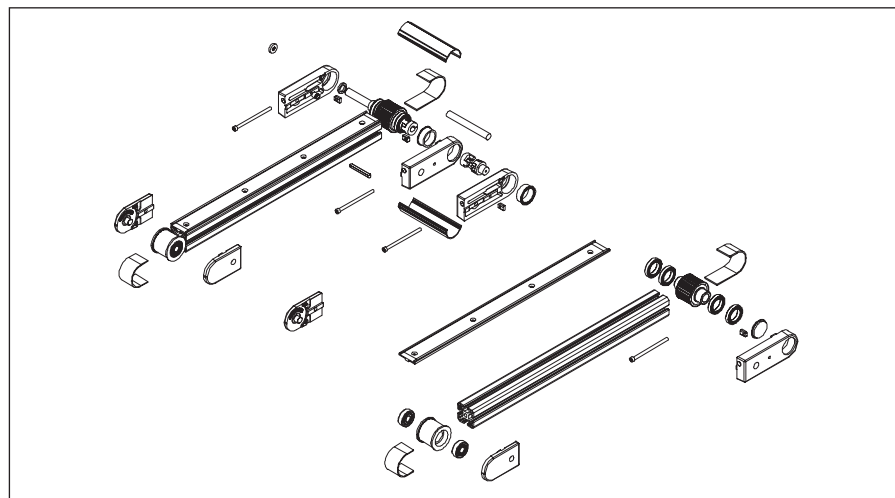
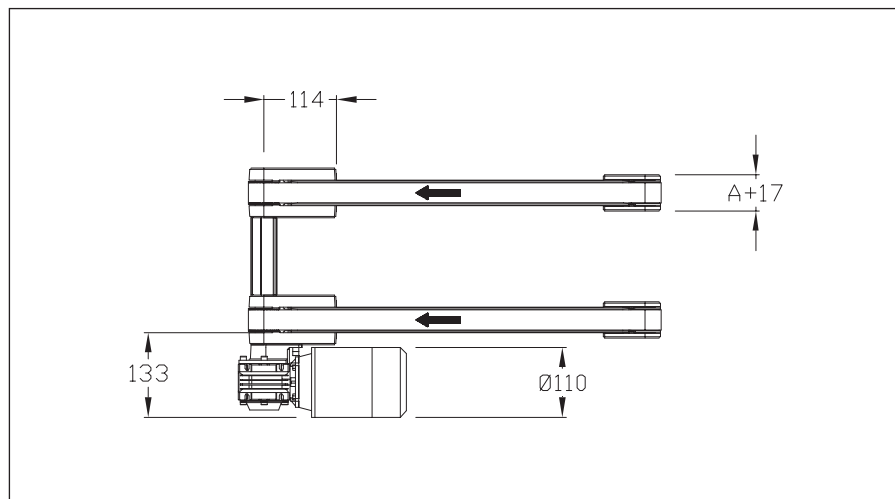
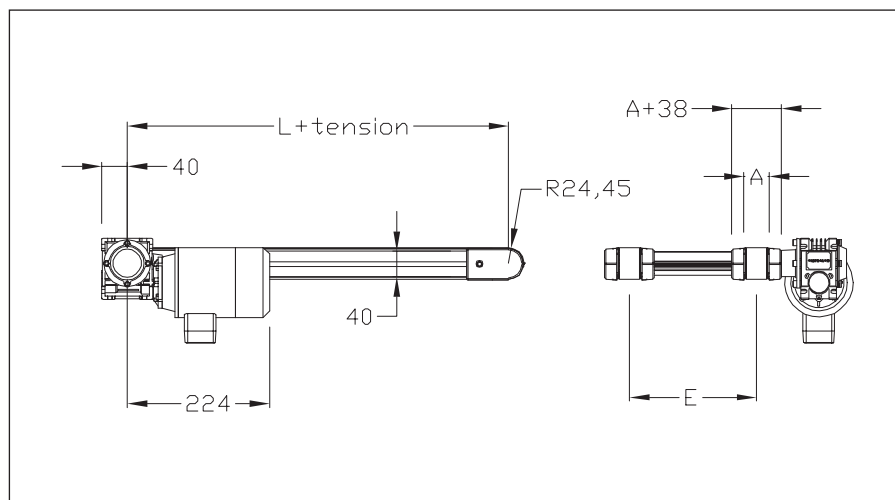
Gear motors

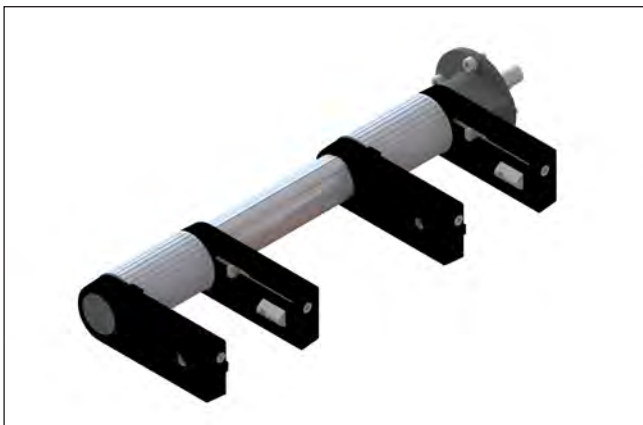
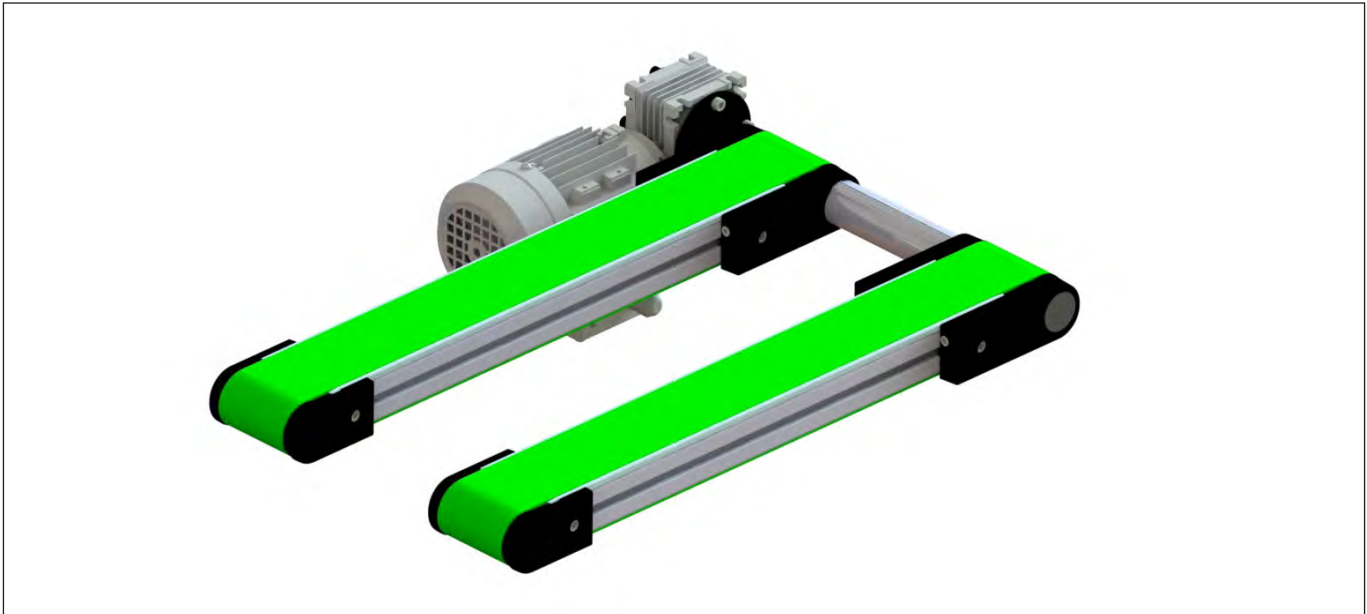
- ✘ 230 V single-phase and 230/400 V three-phase
 - ✘ Speed (m/min) +/- 10%:
2 - 3 - 6 - 9 - 12 - 18 - 24
 - ✘ 24 VDC on request
- Gear motors data: see page 100

Belts

Installation tension: 0,1 %
Belts data: see page 98

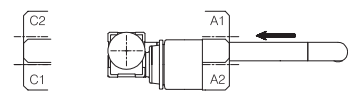
Permissible loads: see loads data page 9





Gear motors positions (see page 100)

 Right motors



 Left motors

Designation / Dimensions	Order unit	Reference
Conveyor 40 Double timing belt End drive 40 mm	1 pce	C 040 41 000
Conveyor 40 Double timing belt End drive 80 mm	1 pce	C 080 41 000

CONVEYOR 40 INCLINED





Conveyors Inclined Type 1

Widths 200, 300, 400 mm

Technical data

Flat belt conveyor with 1 angle for building elevators thanks to cleated belts.
For light parts maxi 8 kg.

Dimensions (mm)

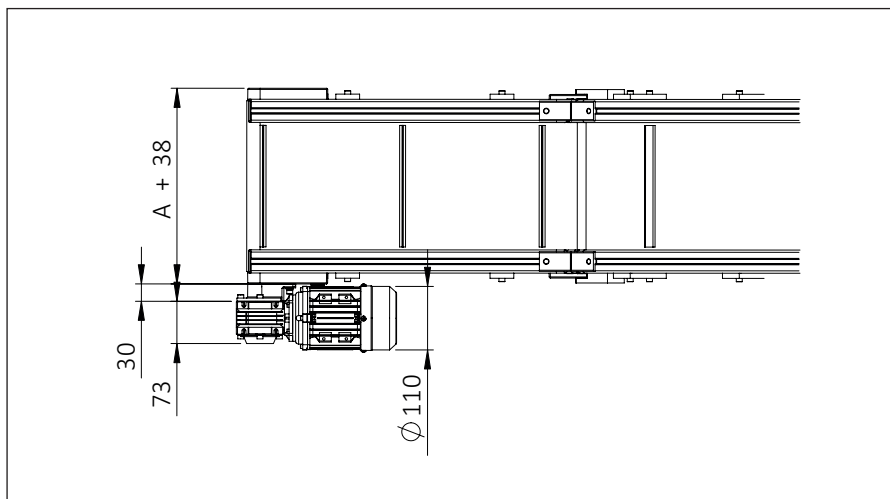
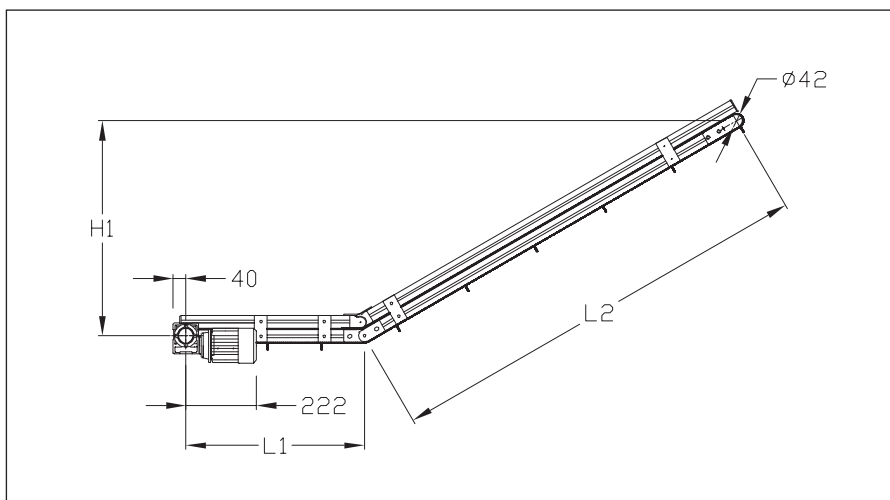
- ✘ Width A: 200 - 300 - 400
- ✘ Length: $L1 + L2 = 4\ 000$ maxi
- ✘ Cleats height: 60 maxi

Gear motors

- ✘ 230 V single-phase and 230/400 V three-phase
 - ✘ 24 VDC on request
- Gear motors data: see page 100

Belts

- ✘ Cleated belts only
- Belts data: see page 98

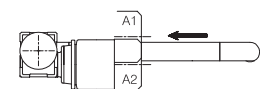




Gear motors positions (see page 100)



Right motors



Left motors

Designation / Dimensions	Order unit	Reference
Conveyor Inclined Type 1 200 mm	1 pce	C 200 70 000
Conveyor Inclined Type 1 300 mm	1 pce	C 300 70 000
Conveyor Inclined Type 1 400 mm	1 pce	C 400 70 000

Conveyors Inclined Type 2

Widths 200, 300, 400 mm

Technical data

Flat belt conveyor with 1 angle for building elevators thanks to cleated belts.
For light parts maxi 8 kg.

Dimensions (mm)

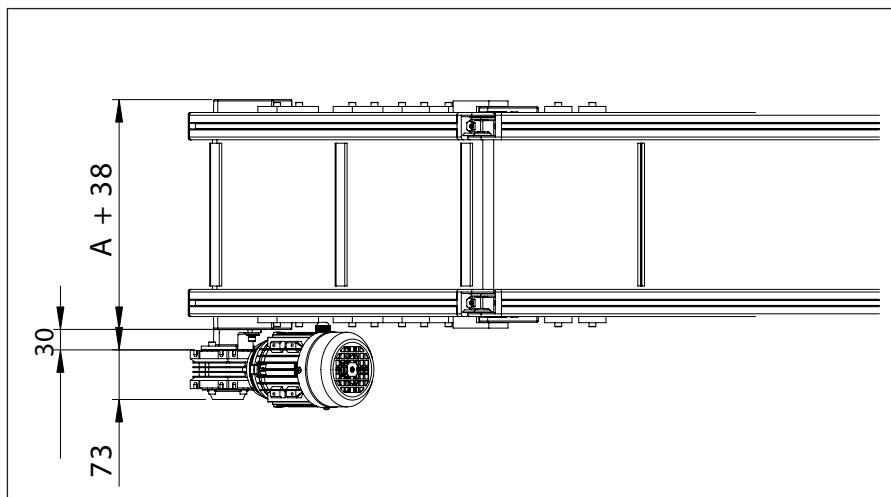
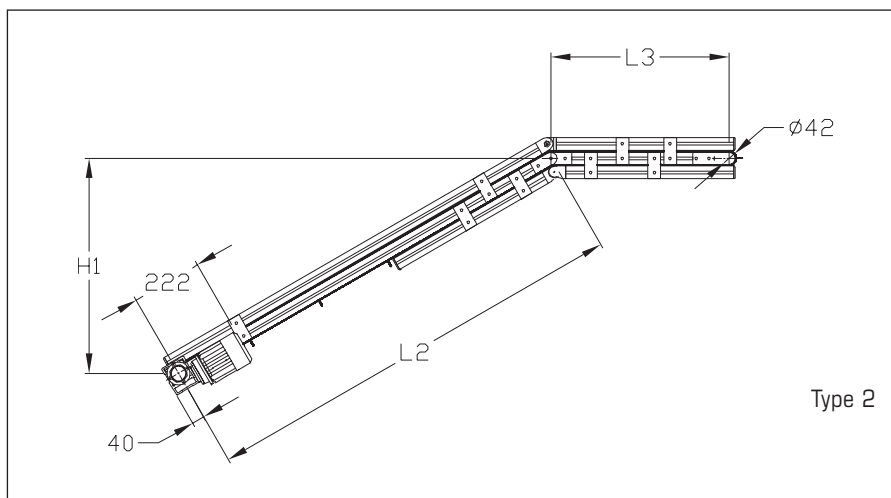
- ✘ Width A: 200 - 300 - 400
- ✘ Length: $L1 + L2 = 4\ 000$ maxi
- ✘ Cleats height: 60 maxi

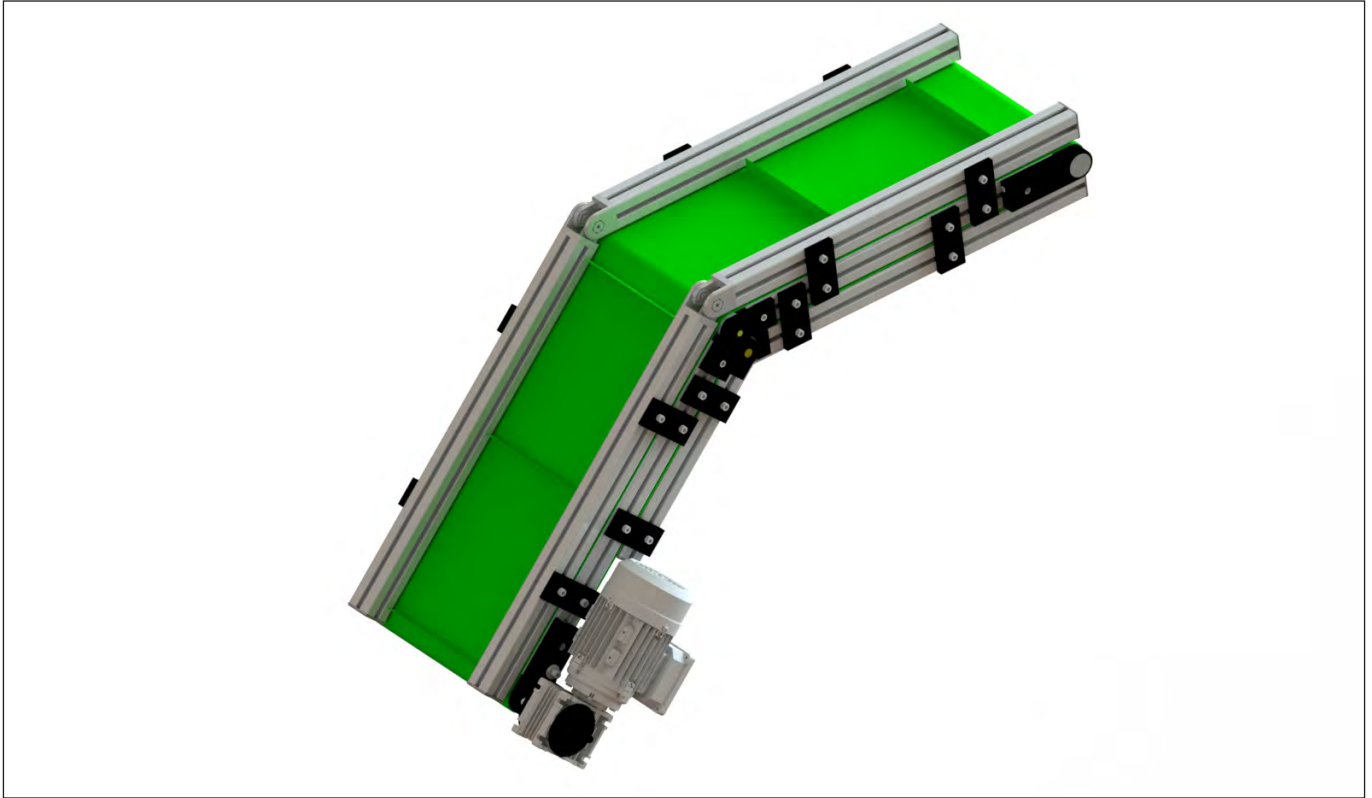
Gear motors

- ✘ 230 V single-phase and 230/400 V three-phase
 - ✘ 24 VDC on request
- Gear motors data: see page 100

Belts

- ✘ Cleated belts only
- Belts data: see page 98

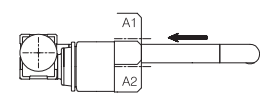




Gear motors positions (see page 100)



Right motors



Left motors

Designation / Dimensions	Order unit	Reference
Conveyor Inclined Type 2 200 mm	1 pce	C 200 75 000
Conveyor Inclined Type 2 300 mm	1 pce	C 300 75 000
Conveyor Inclined Type 2 400 mm	1 pce	C 400 75 000

Conveyors Inclined Type 3

Widths 200, 300, 400 mm

Technical data

Flat belt conveyor with 2 angles for building elevators thanks to cleated belts.
For light parts maxi 8 kg.

Dimensions (mm)

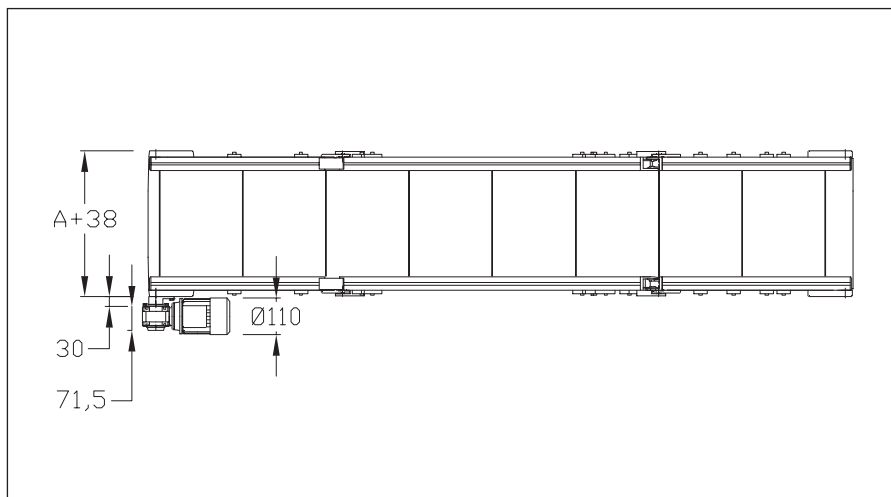
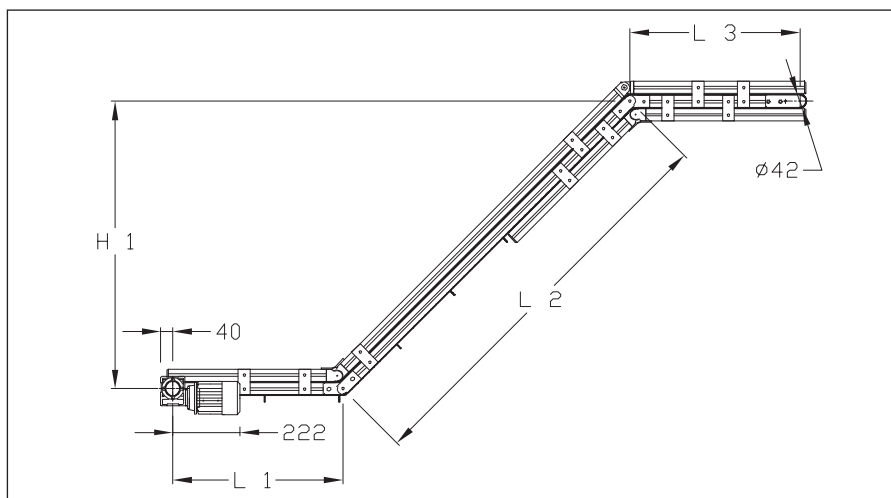
- ✘ Width A: 200 - 300 - 400
- ✘ Length: $L1 + L2 + L3 = 4\ 000$ maxi
- ✘ Cleats height: 60 maxi

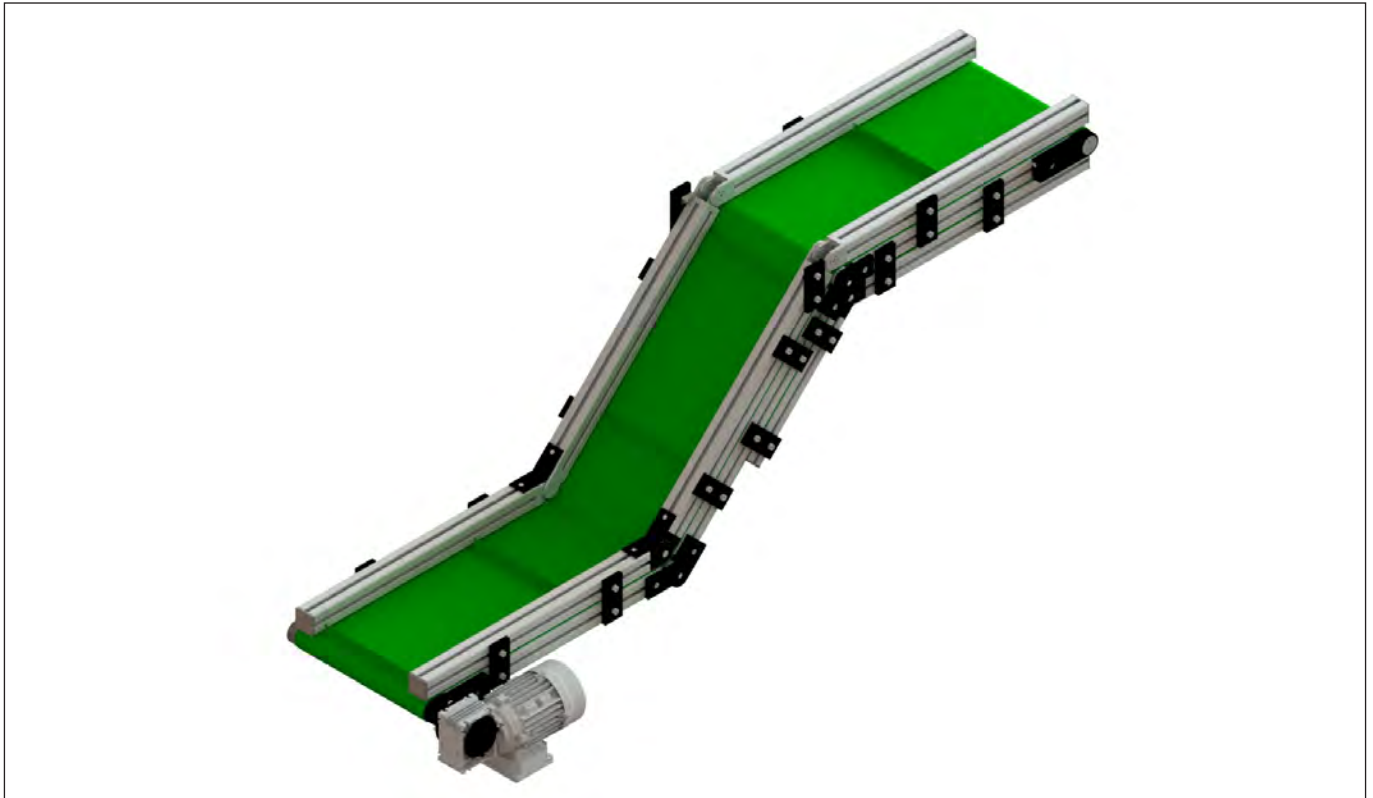
Gear motors

- ✘ 230 V single-phase and 230/400 V three-phase
 - ✘ 24 VDC on request
- Gear motors data: see page 100

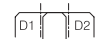
Belts

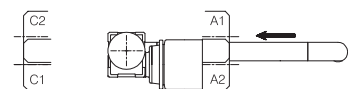
- ✘ Cleated belts only
- Belts data: see page 98





Gear motors positions (see page 100)

 Right motors



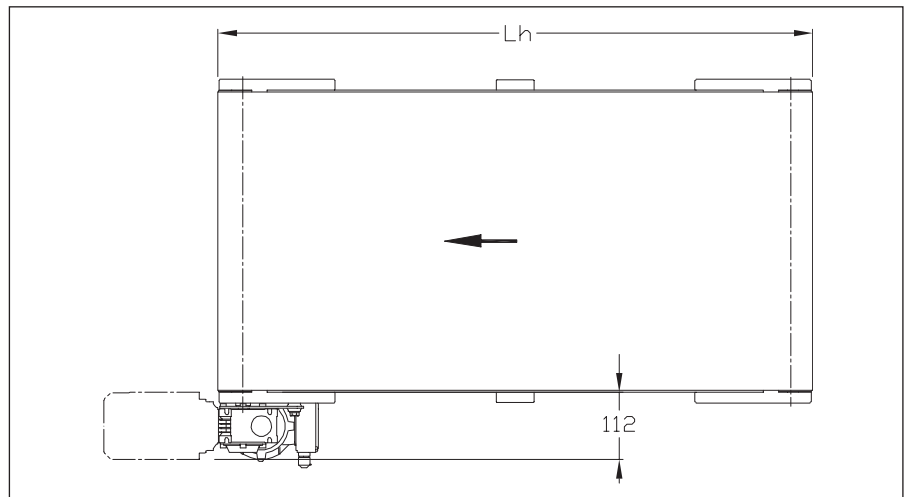
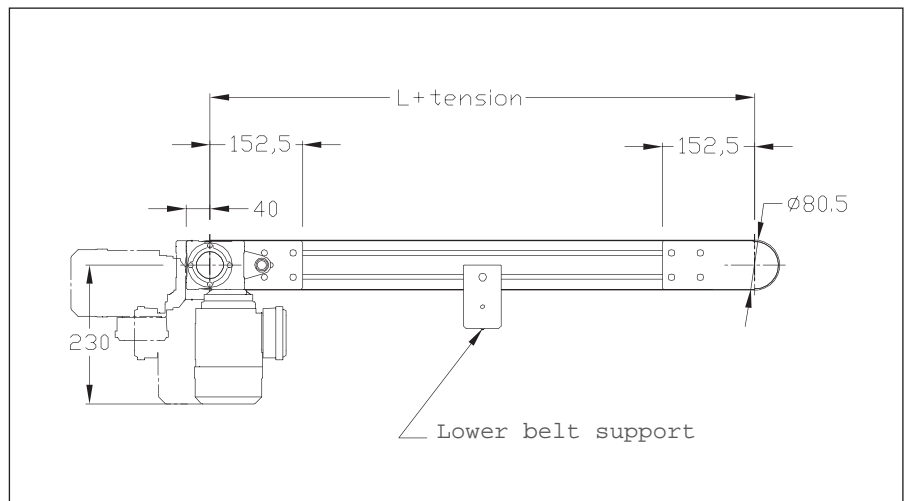
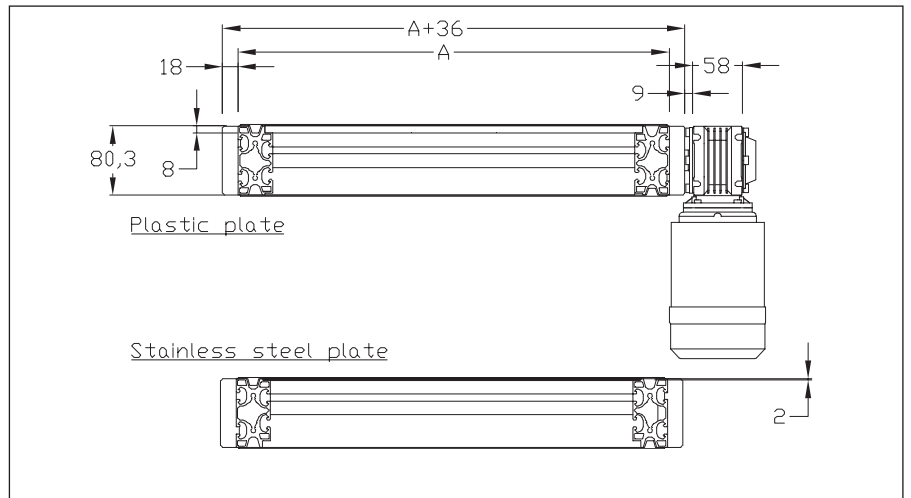
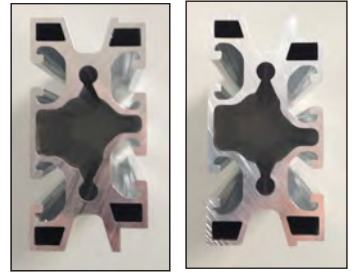
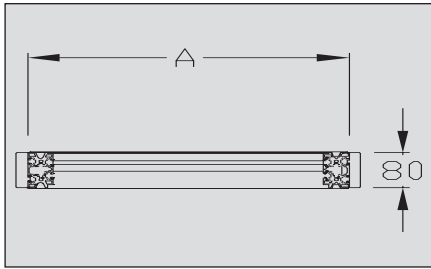
 Left motors

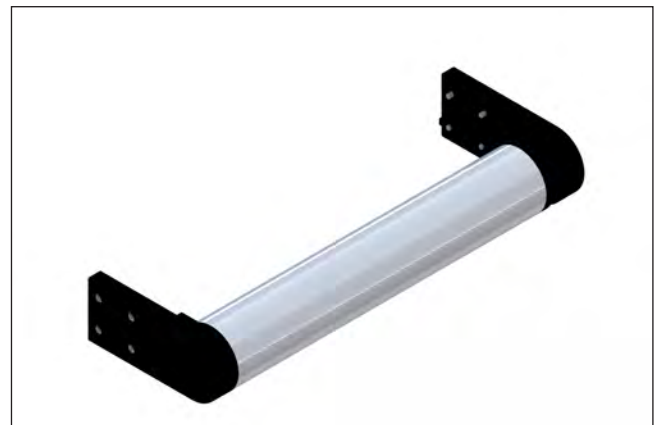
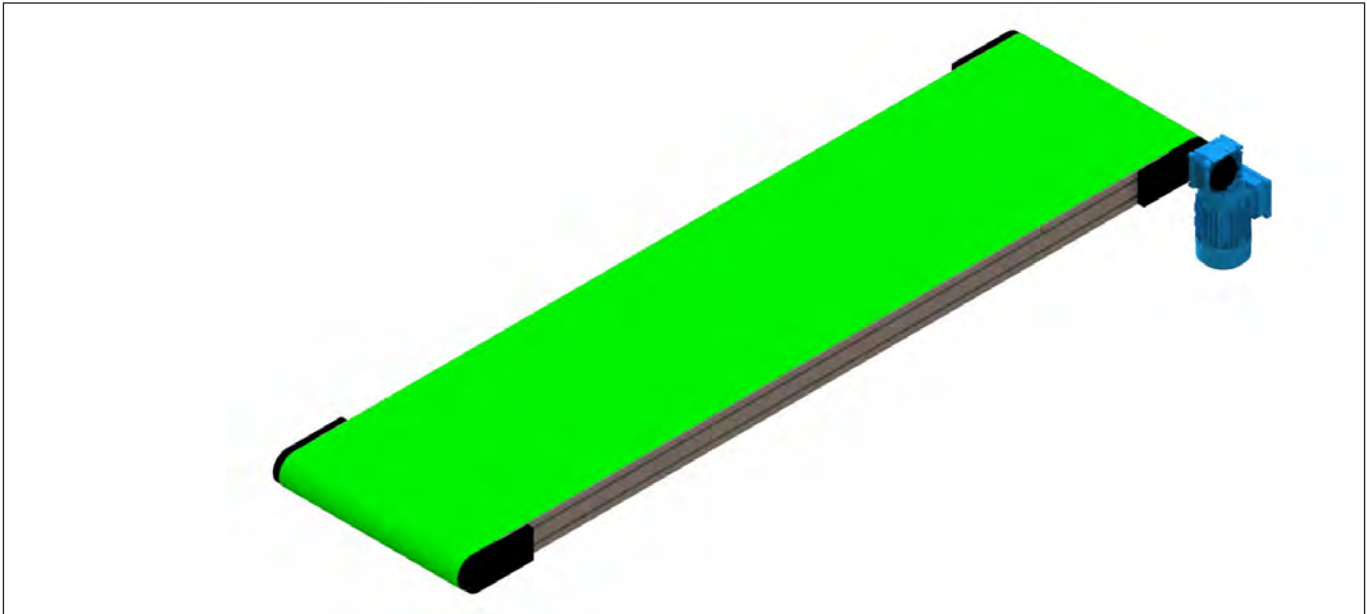
Designation / Dimensions	Order unit	Reference
Conveyor Inclined Type 3 200 mm	1 pce	C 200 80 000
Conveyor Inclined Type 3 300 mm	1 pce	C 300 80 000
Conveyor Inclined Type 3 400 mm	1 pce	C 400 80 000

CONVEYOR 80 FLAT BELT

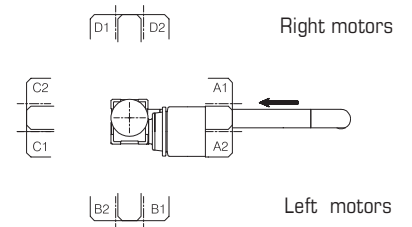






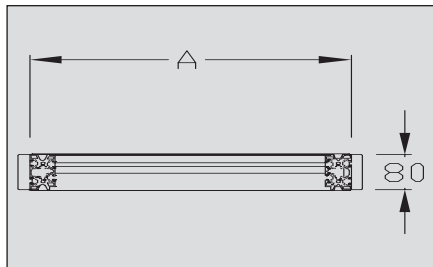


Gear motors positions (see page 100)



Designation / Dimensions	Order unit	Reference
Conveyor 80 Flat belt End drive 90 W	1 pce	C XXXX 42 000
Conveyor 80 Flat belt End drive 90 W Stainless steel	1 pce	C XXXX 42 000I

(XXXX = Width A of conveyor eg: C 0400 42 000I)



Conveyor 80

Flat belt
End drive
Motor 250 W



Technical data

Compact conveyor manufactured from **item** profile range, dedicated to the conveying of light and bulky loads.

The welded cleat under the belt ensures its guiding and makes adjustment easier.

- x** Extremity drive pulley
- x** Aluminium profile frame
- x** Modular width every mm on request

Dimensions (mm)

- x** Width A: 160 to 1 000
- x** Length: 400 to 6 130
- x** Width of the belt: A-10
- x** Length of belt: $L_c = (2 \times L) + 252$
- x** Length of profile: $LP=L-130$

Plates

- x** Compact laminate plate 8 mm
- x** Stainless steel plate 2 mm

Gear motors

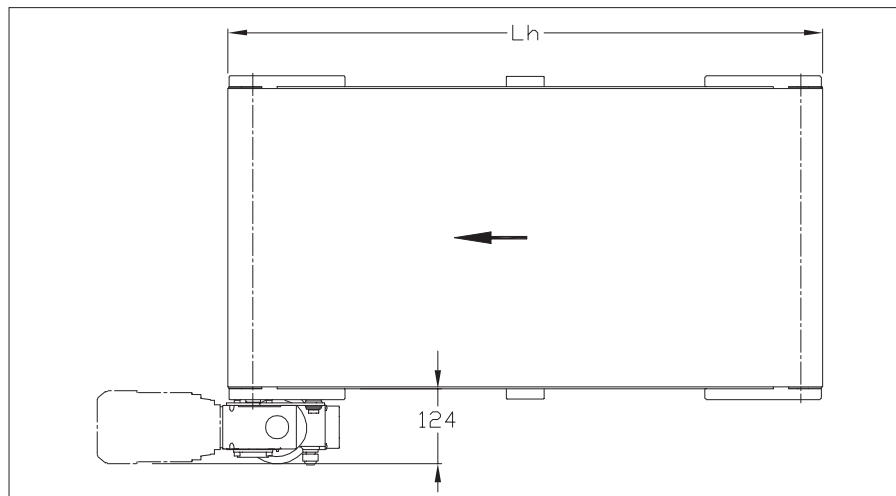
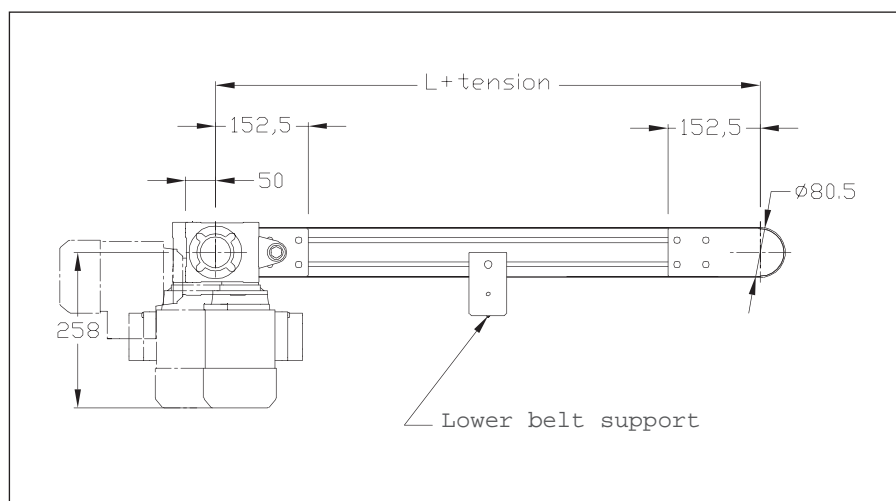
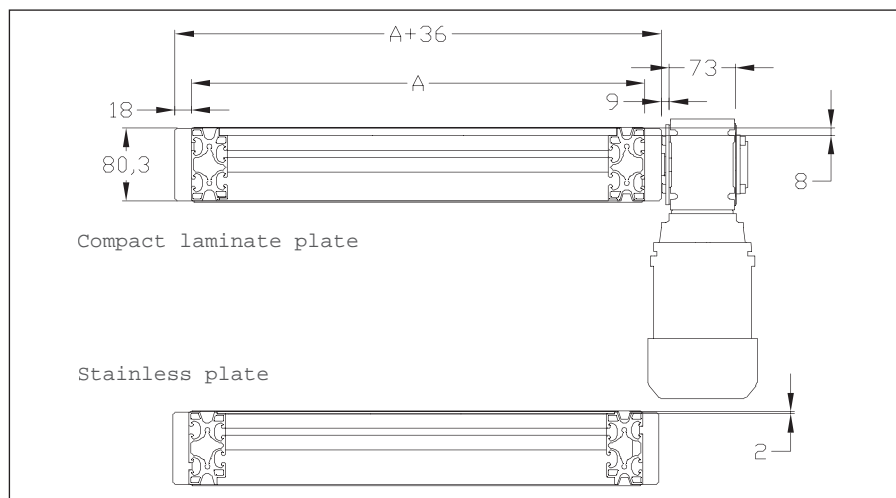
- x** 250 W 230/400 V three-phase
- x** Speed (m/min) +/- 10%:
4 - 6 - 7 - 9 - 12 - 14 - 18 - 24

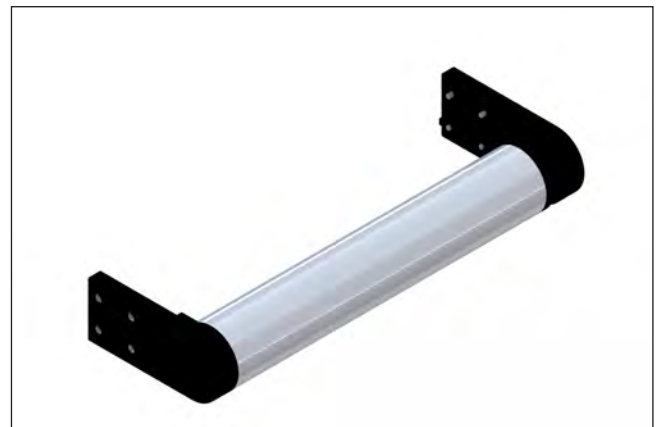
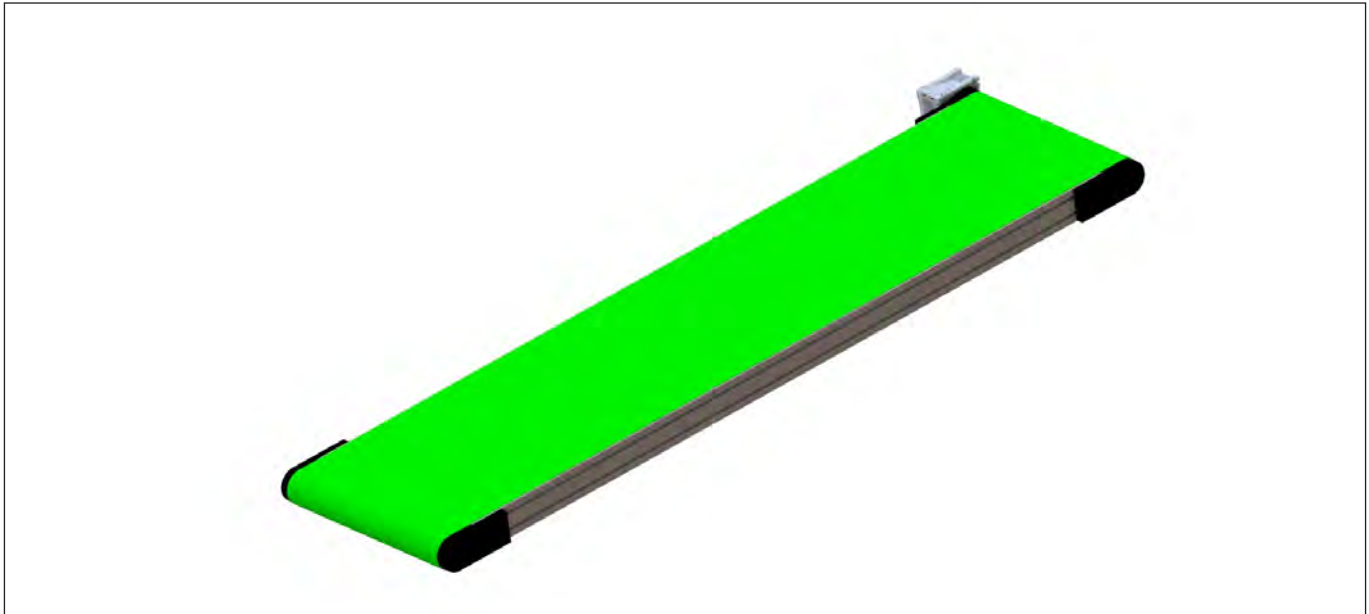
Permissible loads

- 60 daN from 4 to 12 m/min
- 30 daN from 14 to 24 m/min
(Without accumulation)

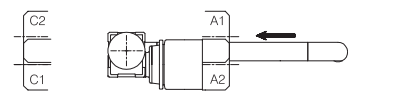
Belts

Specific belt (CXXXX42201)
1,3 mm thickness with plate under the belt
Installation tension: 0.3 % maxi
Belts data: see page 98





Gear motors positions (see page 100)

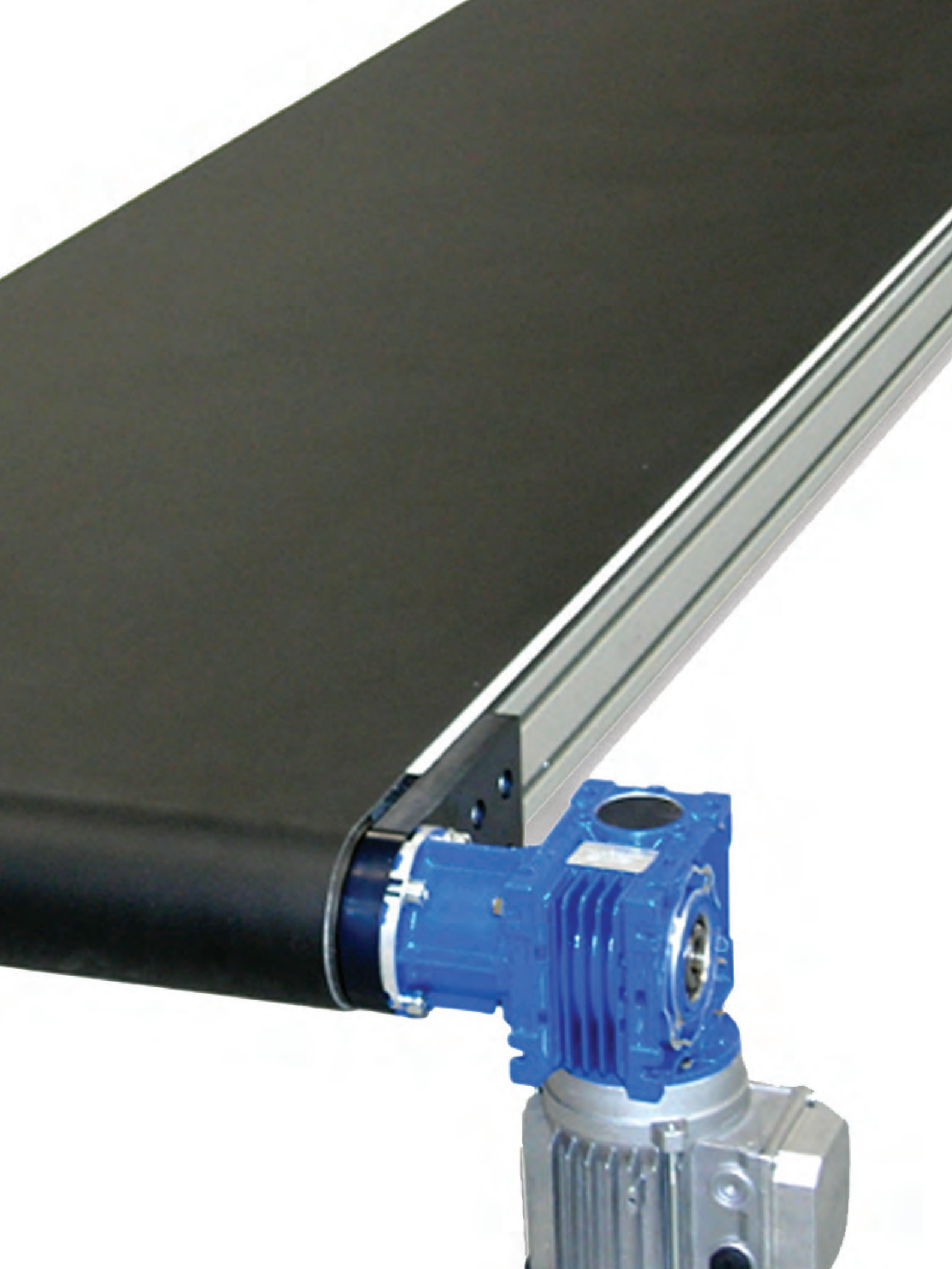


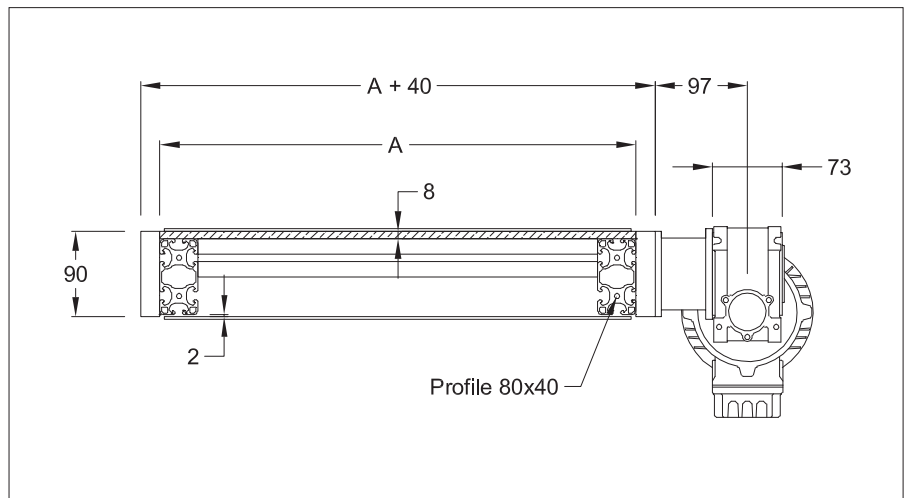
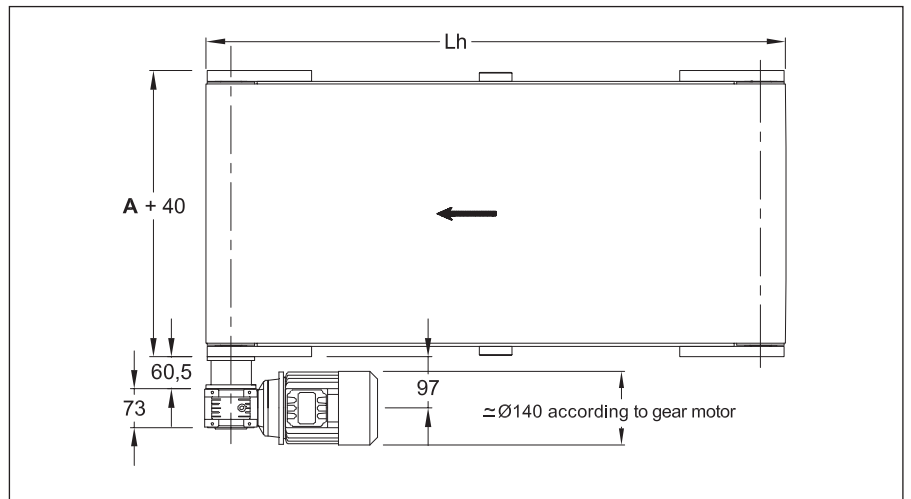
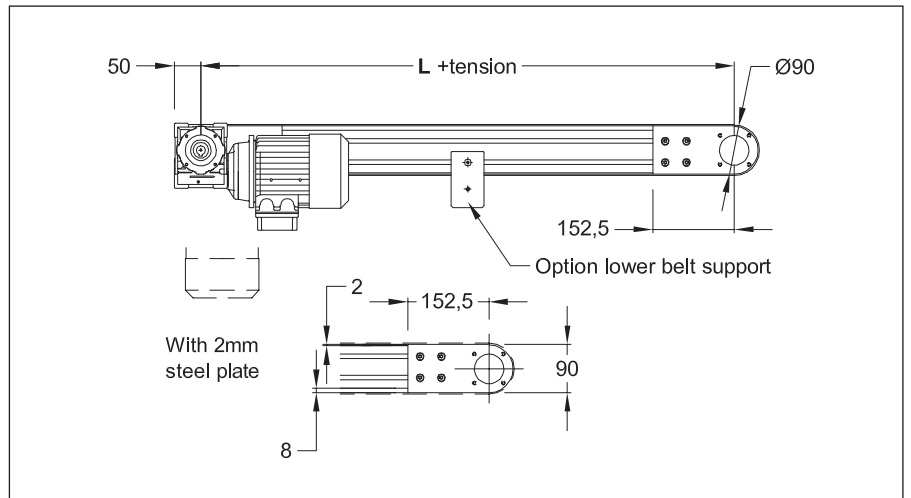
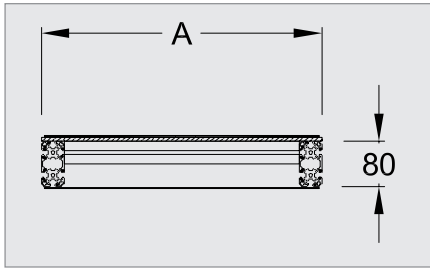
Designation / Dimensions	Order unit	Reference
Conveyor 80 Flat belt End drive 250 W	1 pce	C XXXX 43 000
Conveyor 80 Flat belt End drive 250 W Stainless steel	1 pce	C XXXX 43 000I

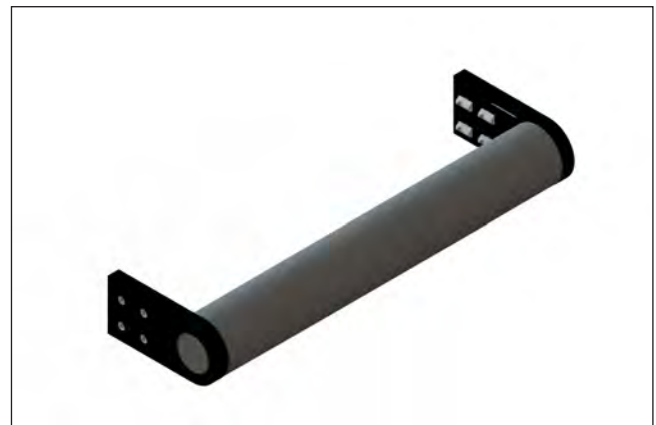
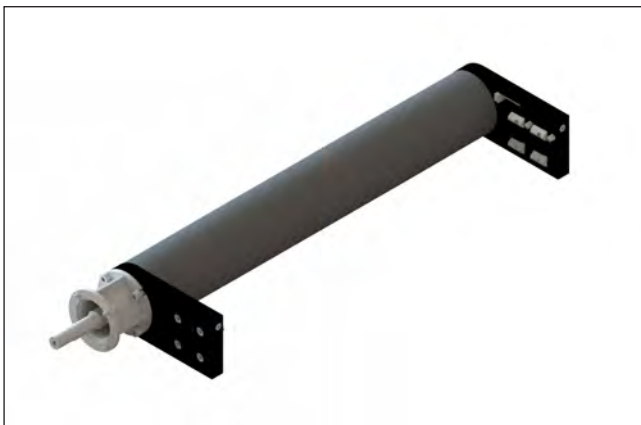
(XXXX = Width A of conveyor eg: C 0400.43.000I)

CONVEYOR 90 FLAT BELT

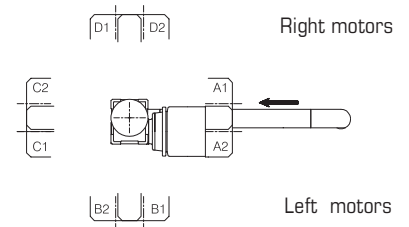






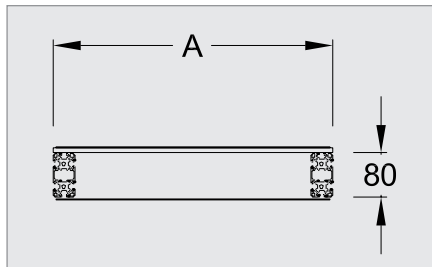


Gear motors positions (see page 100)



Designation / Dimensions	Order unit	Reference
Conveyor 90 Flat belt End drive	1 pce	C XXXX 10 000

(XXXX = Width A of conveyor eg: C 0500 10 000)



Conveyor 90

Flat belt

End drive, Motor below

Widths 500, 600, 700, 800, 1000 mm

Technical data

Flat belt conveyor for heavy and bulky components.

- ✘ Drive of extremity drive pulley by timing belt 10 mm step width 25 mm
- ✘ Steel pulleys with ball bearings
- ✘ Aluminium profile frame

Dimensions (mm)

- ✘ Pulley diameter: 90
- ✘ Width A: 500 - 600 - 700 - 800 - 1000
- ✘ Length L: 500 to 6 000
- ✘ Width of belt: A-10
- ✘ Length of belt: $L_c = (2 \times L) + 300$

Plates

- ✘ Plastic 8 mm
- ✘ Stainless steel

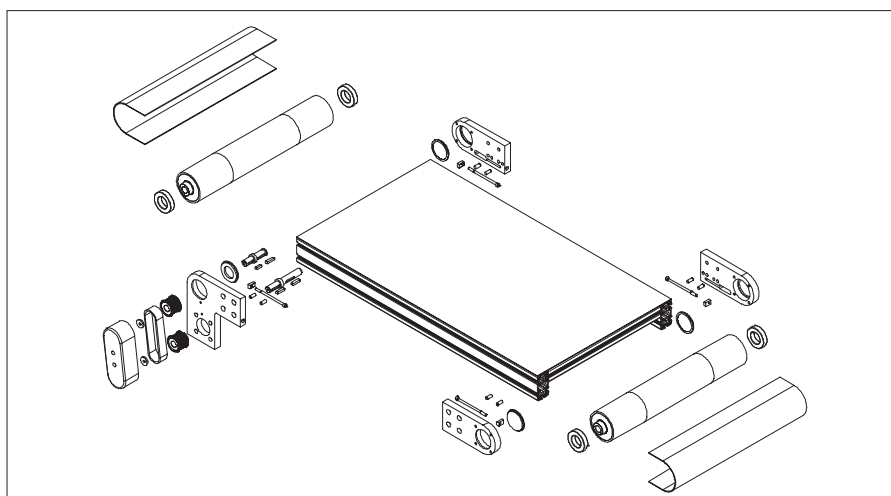
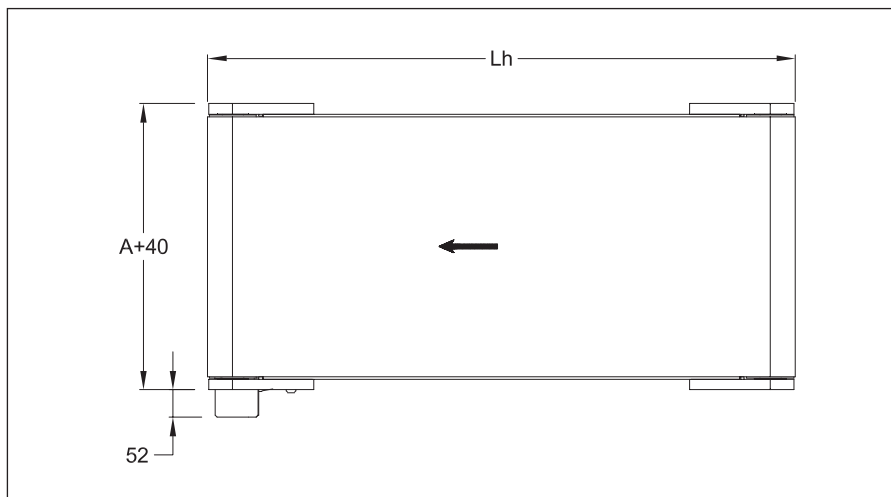
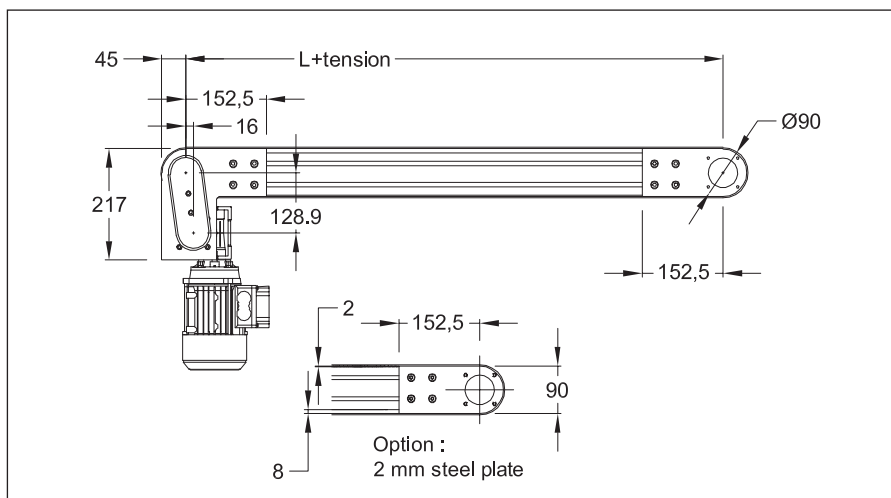
Gear motors

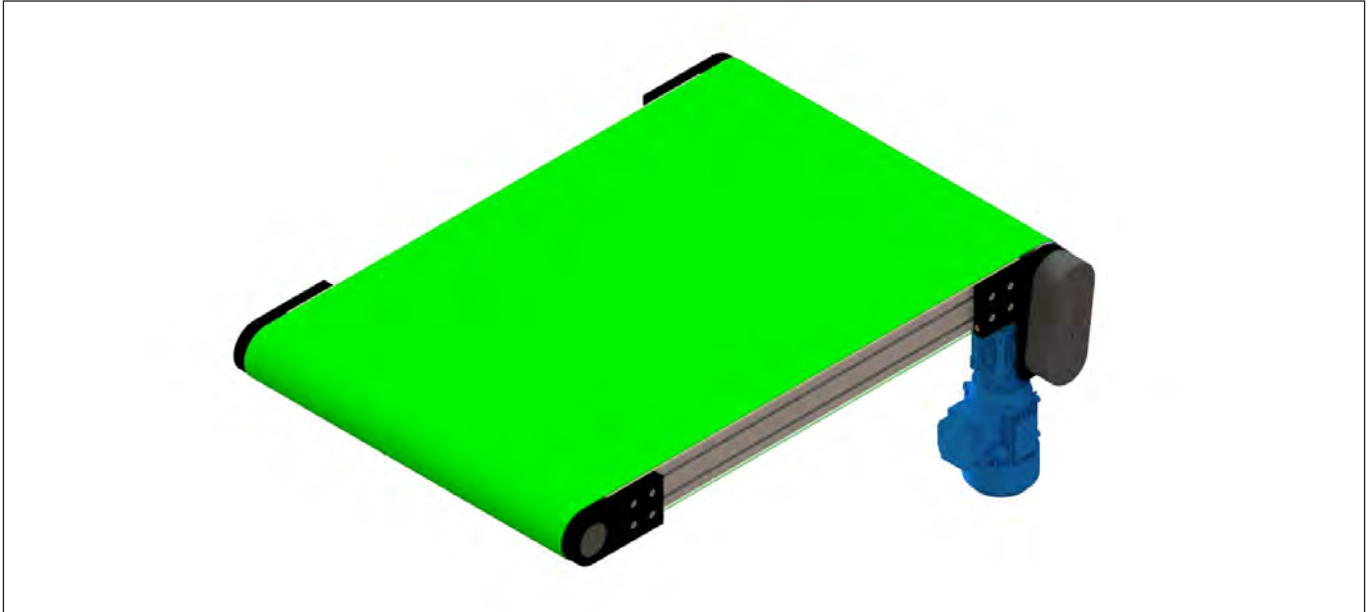
- ✘ 230 V single-phase and 230/400 V three-phase
 - ✘ Speed (m/min) +/- 10%:
4 - 6 - 8 - 10 - 16 - 20 - 26
 - ✘ 24 VDC on request
- Gear motors data: see page 100

Belts

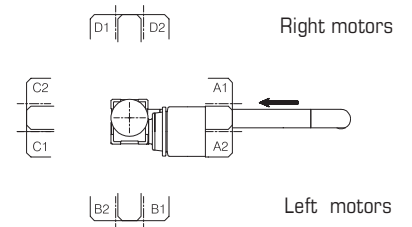
- ✘ Installation tension: 0.5% maxi
- Belts data: see page 98

Permissible loads: see loads data page 9





Gear motors positions (see page 100)



Designation / Dimensions	Order unit	Reference
Conveyor 90 Flat belt End drive Motor below	1 pce	C XXXX 53 000

(XXXX = Width A of conveyor eg: C 0500 53 000)

CONVEYOR 90 MOTORIZED DRUM





Conveyor 90

Flat belt

End drive, Motorized drum

Widths 500, 600, 700, 800 mm

Technical data

Compact conveyor thanks to the integrated motor in the pulley.

- ✘ Drive on extremity by motorized drum.
- ✘ Aluminium pulley with ball bearings.
- ✘ Aluminium profile frame.

Dimensions (mm)

- ✘ Driving diameter: $\varnothing 84$
- ✘ Width A: 500, 600, 700, 800
- ✘ Width of belt: 490, 590, 690, 790
- ✘ Mini length: $A \times 1,2$
- ✘ Maxi length: 4 000

Plates

- ✘ Stainless steel
- ✘ Galvanized steel plate thickness: 2 mm

Gear motors

- ✘ 230/400 V three-phase 50 Hz
- ✘ Speed: 5 - 6 - 7 - 9 - 11 - 14 m/min according to power

Gear motors data: see page 100

Adjustable cable outlet from 90° to 90° .

$L_h = L + \text{tensioning stroke} + 84 + 2 \times \text{belt thickness}$

Space saving thanks to the drum motor

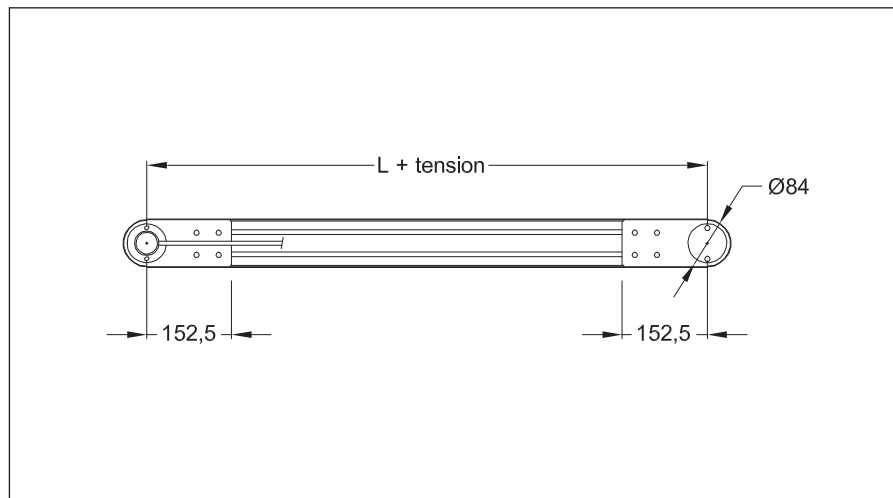
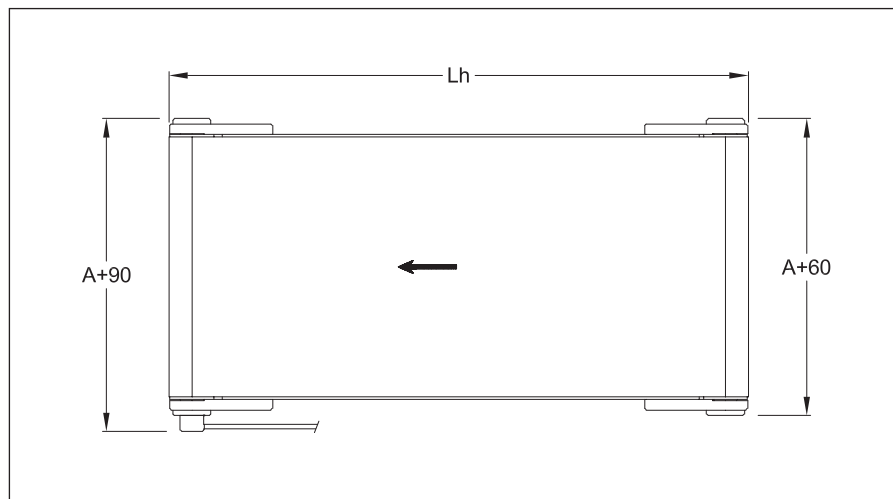
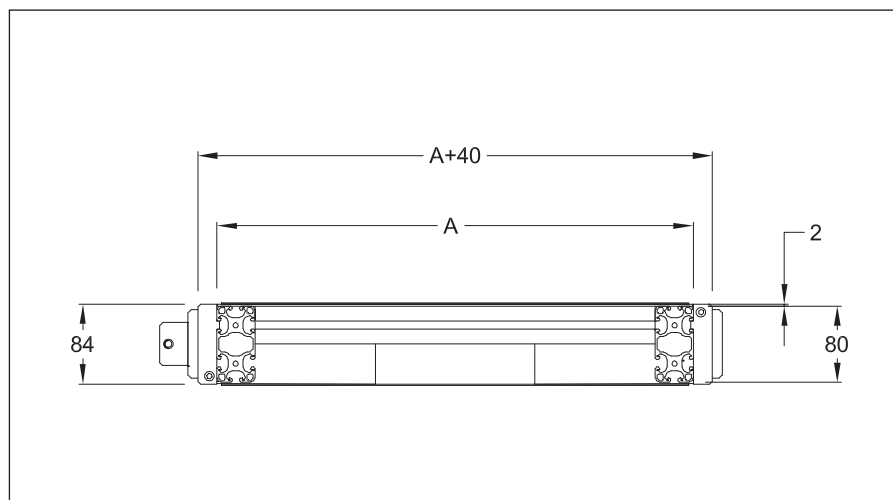


Do not operate without belt since this may result in damage.

Belts

Belts data: see page 98

Permissible loads: see loads data page 9

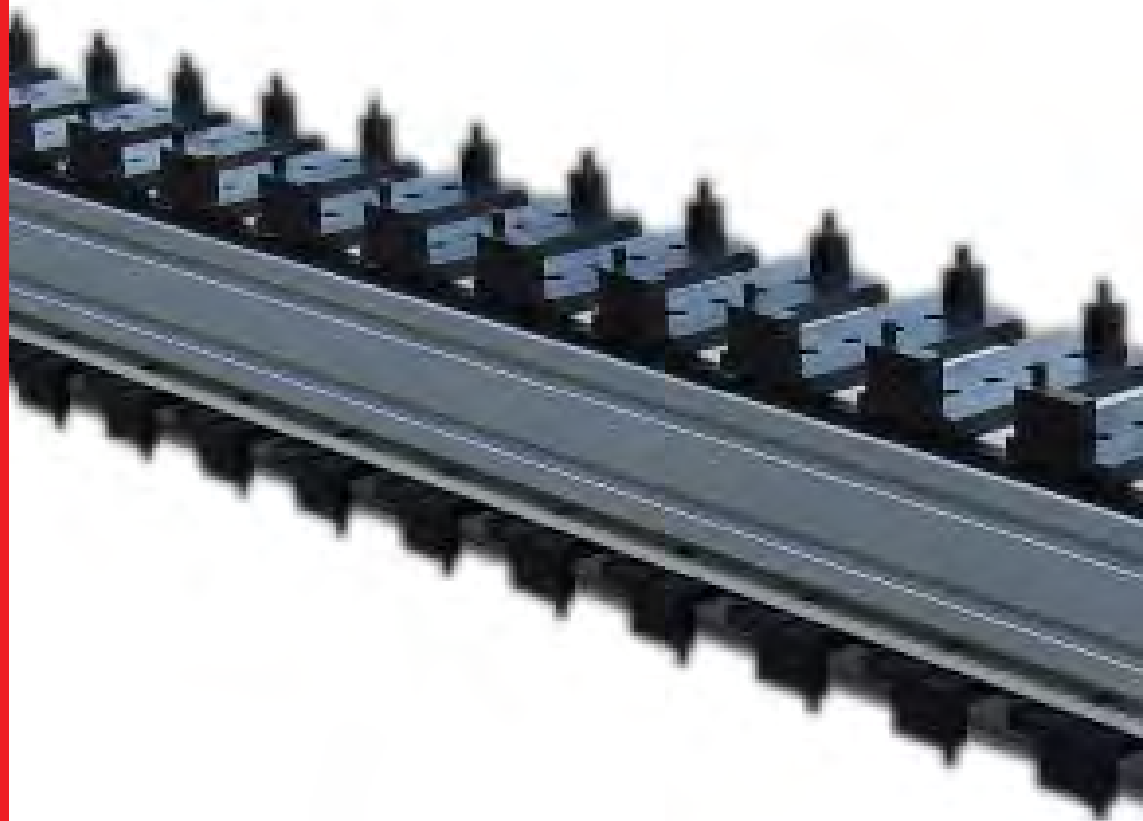




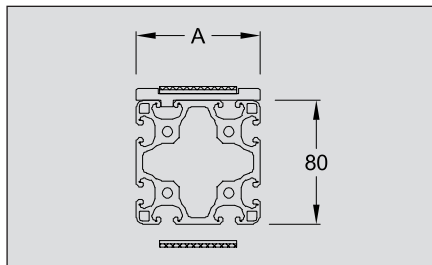
Designation / Dimensions	Order unit	Reference
Conveyor 90 Motorized drum	1 pce	C XXXX 30 000

(XXXX = Width A of conveyor: 500-600-700-800 eg: C 0500 30 000)

CONVEYOR 90 TIMING BELT







Conveyor 90

Timing belt

End drive

Widths 40, 80, 120 mm

Technical data

Compact conveyor on profiles 8 basis 80 mm, for all kinds of components.

Positive driving belt for heavy loads.

- ✘ Toothed pulleys with ball bearings
- ✘ Guiding belt PA material
- ✘ Timing belt, 10 mm step
- ✘ Option: timing belt 10 mm step with threaded insert which enables to fix workpiece fittings.

Dimensions (mm)

- ✘ Width A: 40 - 80 - 120
- ✘ Length L: 500 to 6 000
- ✘ Width of belt: 25, 50 and 100 mm
- ✘ Length of belt:
 $LC = (2 \times L) + 320$
- ✘ Length of profile: $LP = L - 125$

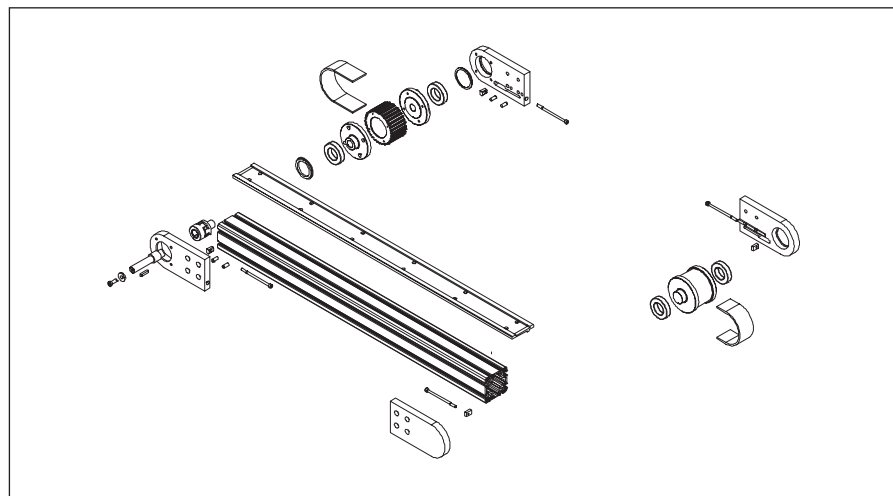
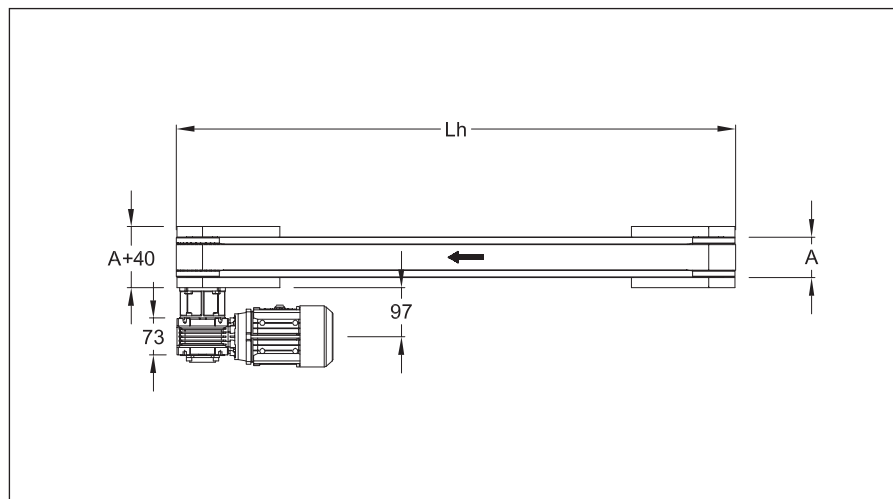
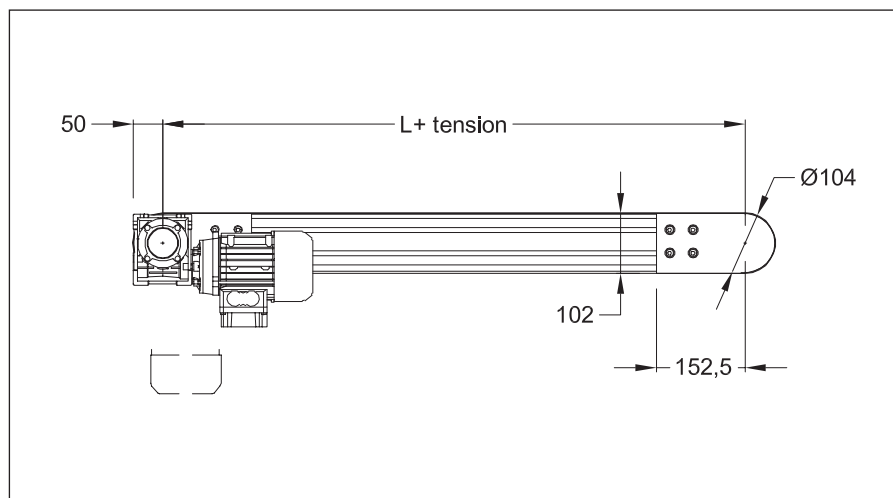
Gear motors

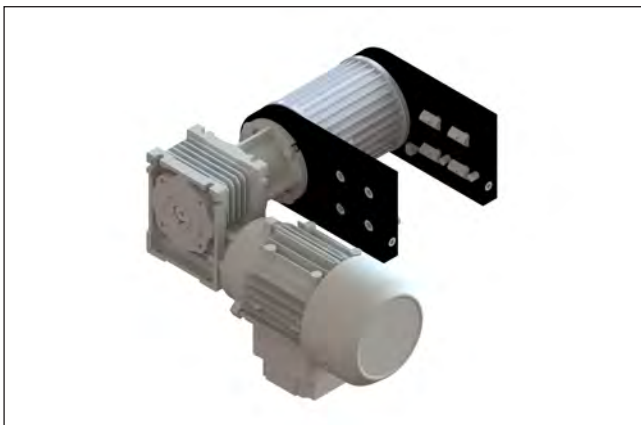
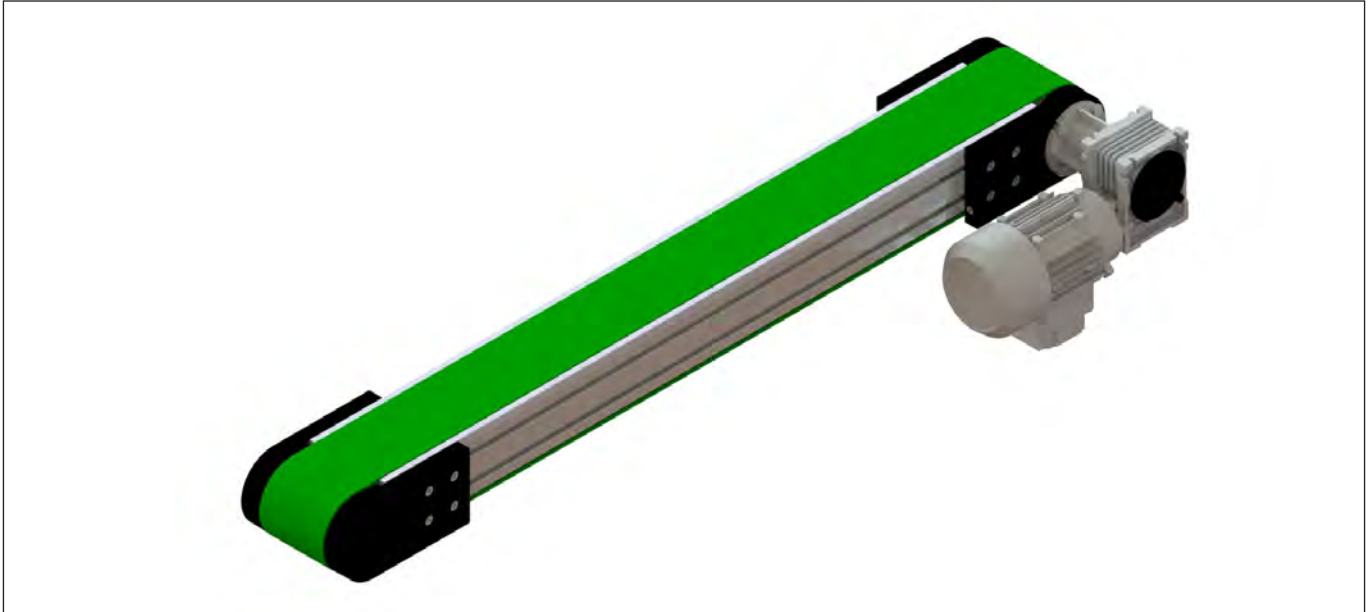
- ✘ 230 V single-phase and 230/400 V three-phase
 - ✘ Speed (m/min) $\pm 10\%$:
4 - 6 - 8 - 10 - 16 - 20 - 26
- Gear motors data: see page 100

Belts

Installation tension: 0,1 %
Belts data: see page 98

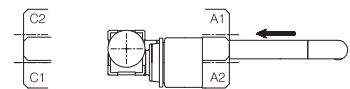
Permissible loads: see loads data page 9





Gear motors positions (see page 100)

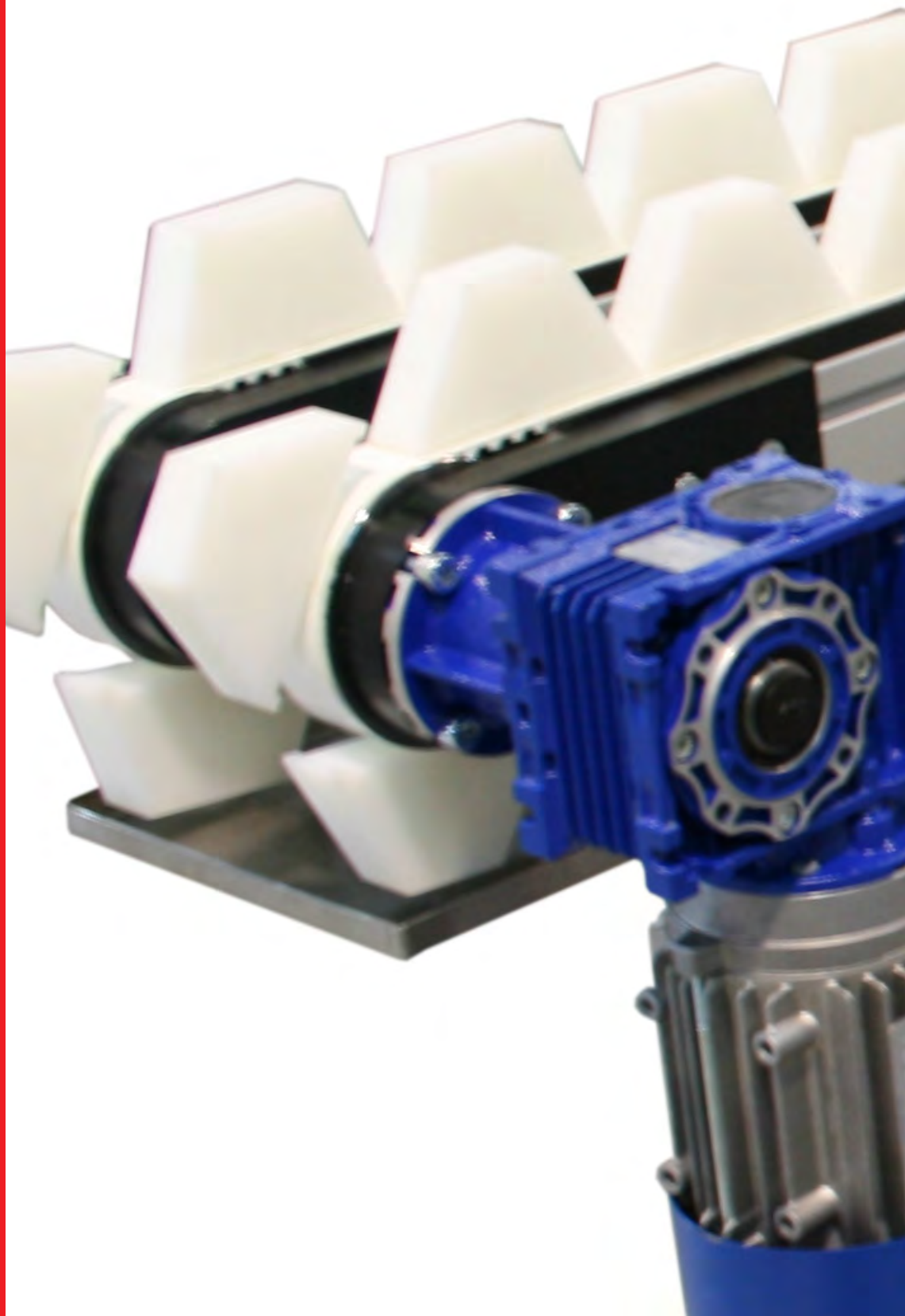
 Right motors

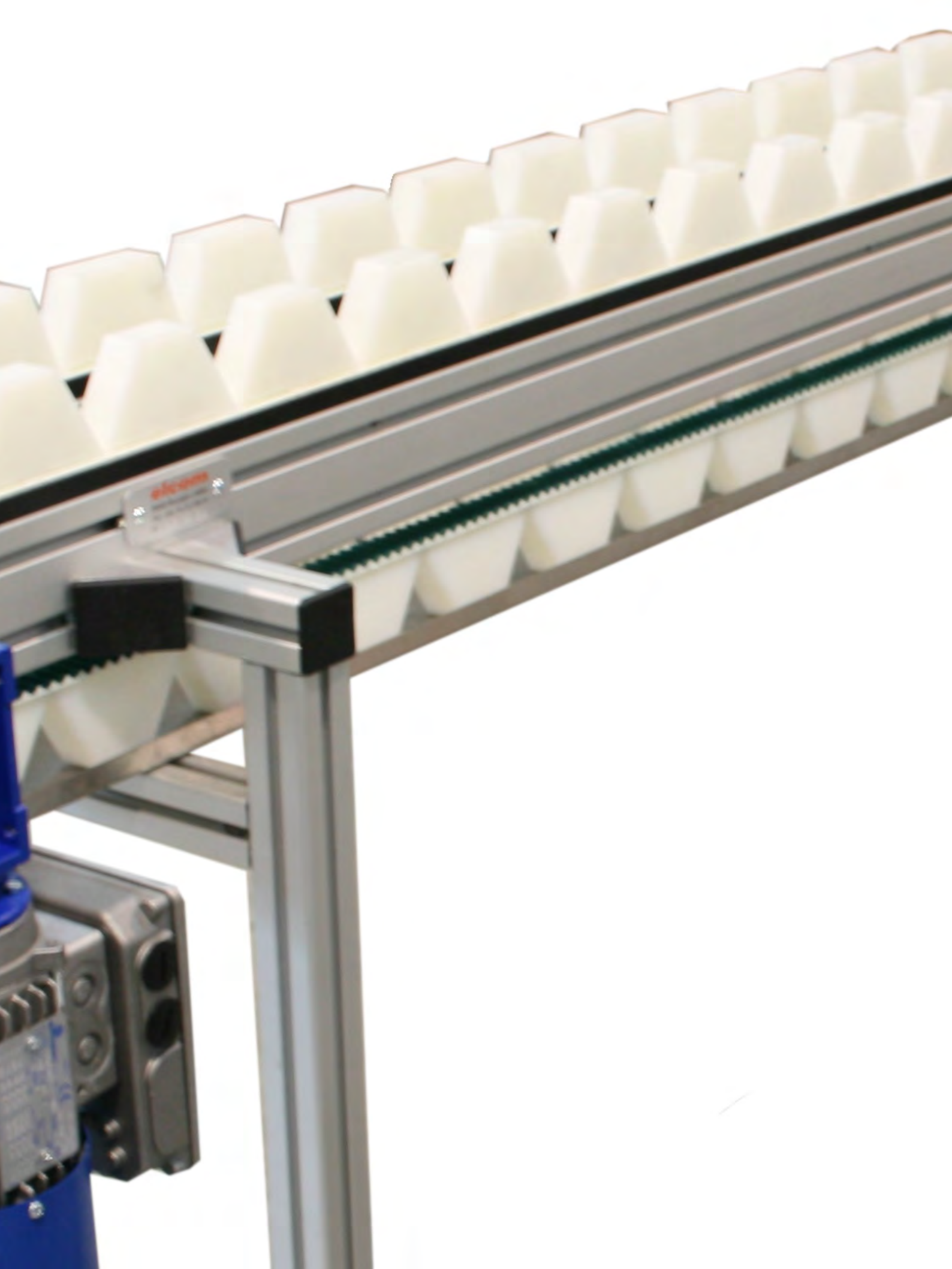


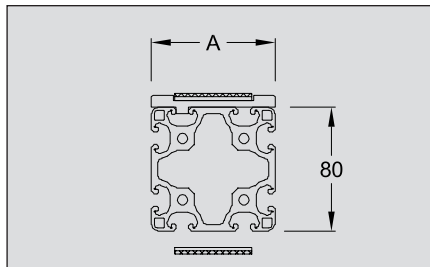
 Left motors

Designation / Dimensions	Order unit	Reference
Conveyor 90 Timing belt End drive 40 mm	1 pce	C 0040 70 000
Conveyor 90 Timing belt End drive 80 mm	1 pce	C 0080 70 000
Conveyor 90 Timing belt End drive 120 mm	1 pce	C 0120 70 000

CONVEYOR 90 DOUBLE TIMING BELT







Conveyor 90

Double timing belt

End drive

Widths 40, 80, 120 mm

Technical data

Two parallel timing belt conveyors driven by only one motor, for large components enabling the use of free space.

Positive driving belt for heavy loads.

- ✘ Toothed pulleys with ball bearings
- ✘ Guiding belt PA material
- ✘ Timing belt, 10 mm step
- ✘ Option: timing belt spacing 10 mm with threaded insert which enables to fix workpiece fittings.

Dimensions (mm)

- ✘ Width A: 40 - 80 - 120
- ✘ Length L: 500 to 6 000
- ✘ Width of belt: 25, 50 and 100 mm
- ✘ Length of belt
 $L_c = (2 \times L) + 320$
- ✘ Length of profile: $LP = L - 125$

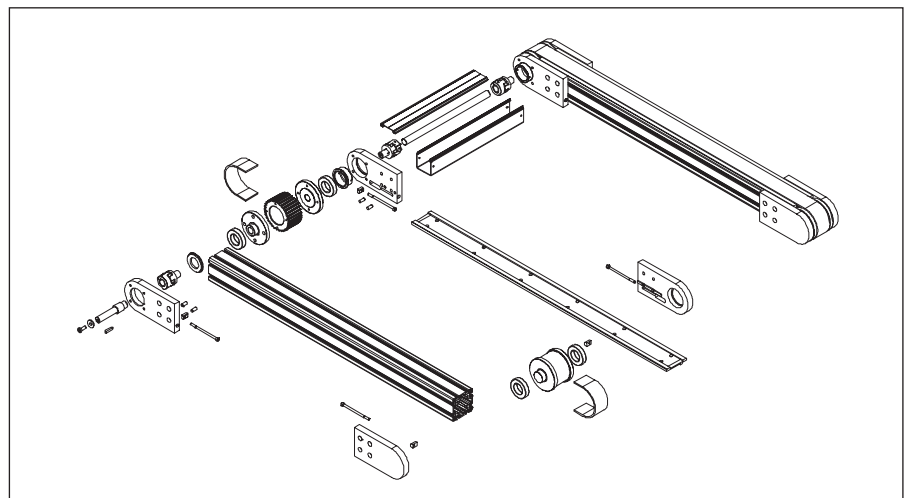
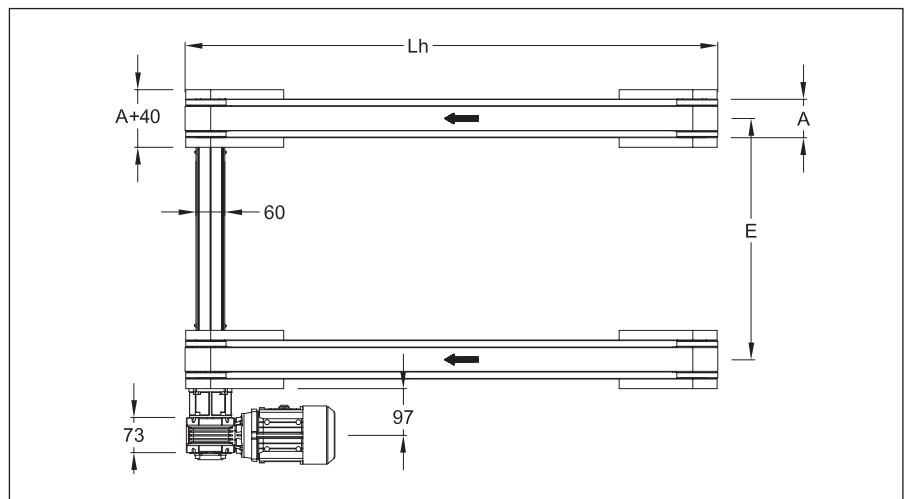
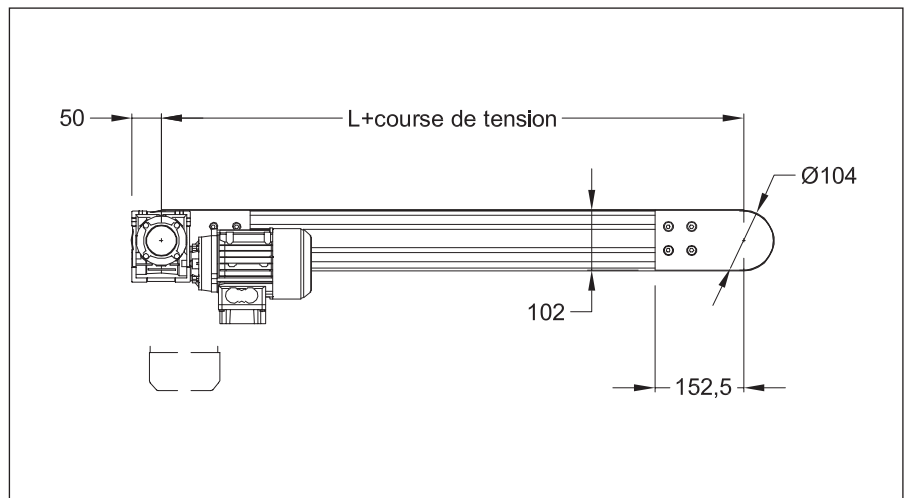
Gear motors

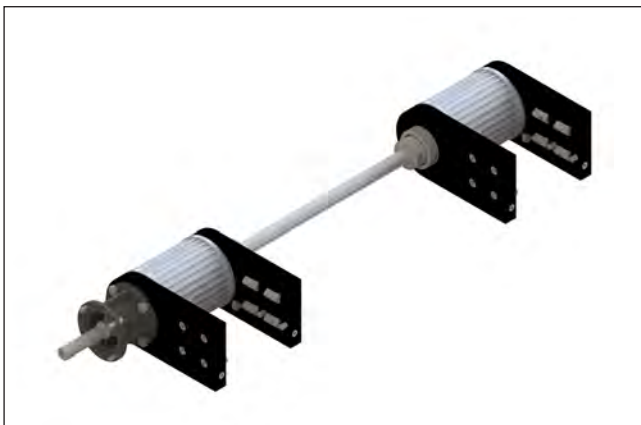
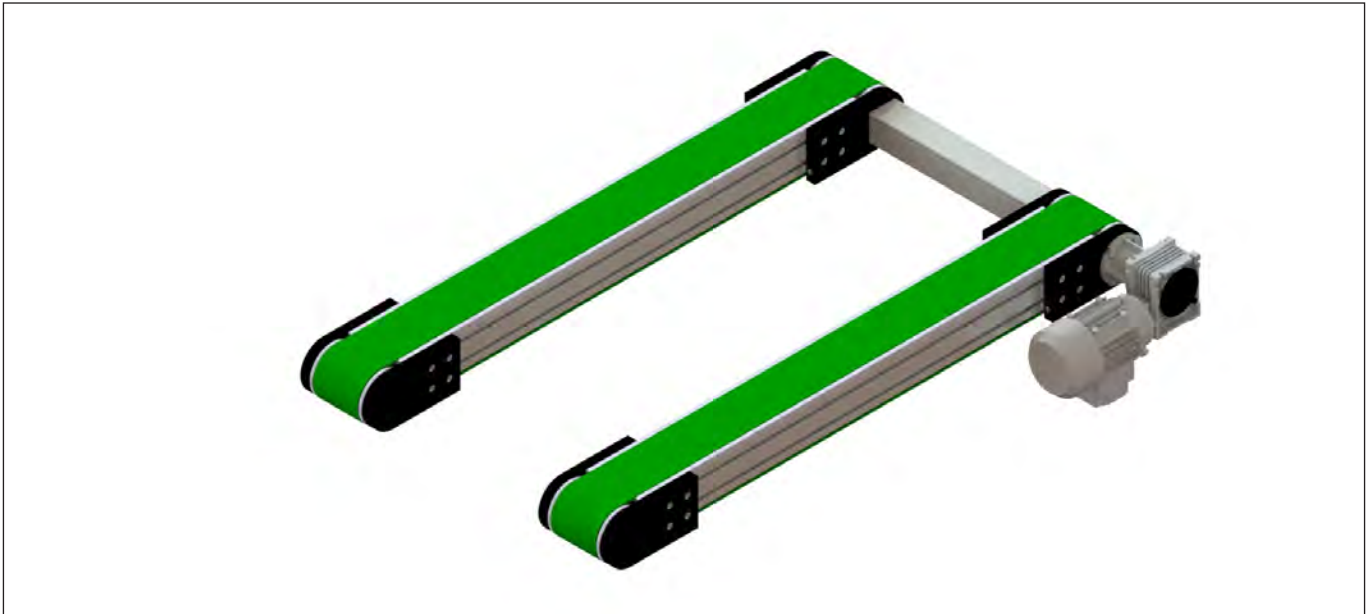
- ✘ 230/400 V three-phase
 - ✘ Speed (m/min) $\pm 10\%$:
 4 - 6 - 8 - 10 - 16 - 20 - 26
- Gear motors data: see page 100

Belts

Installation tension: 0,1 %
 Belts data: see page 98

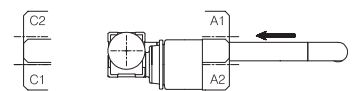
Permissible loads: see loads data page 9





Gear motors positions (see page 100)

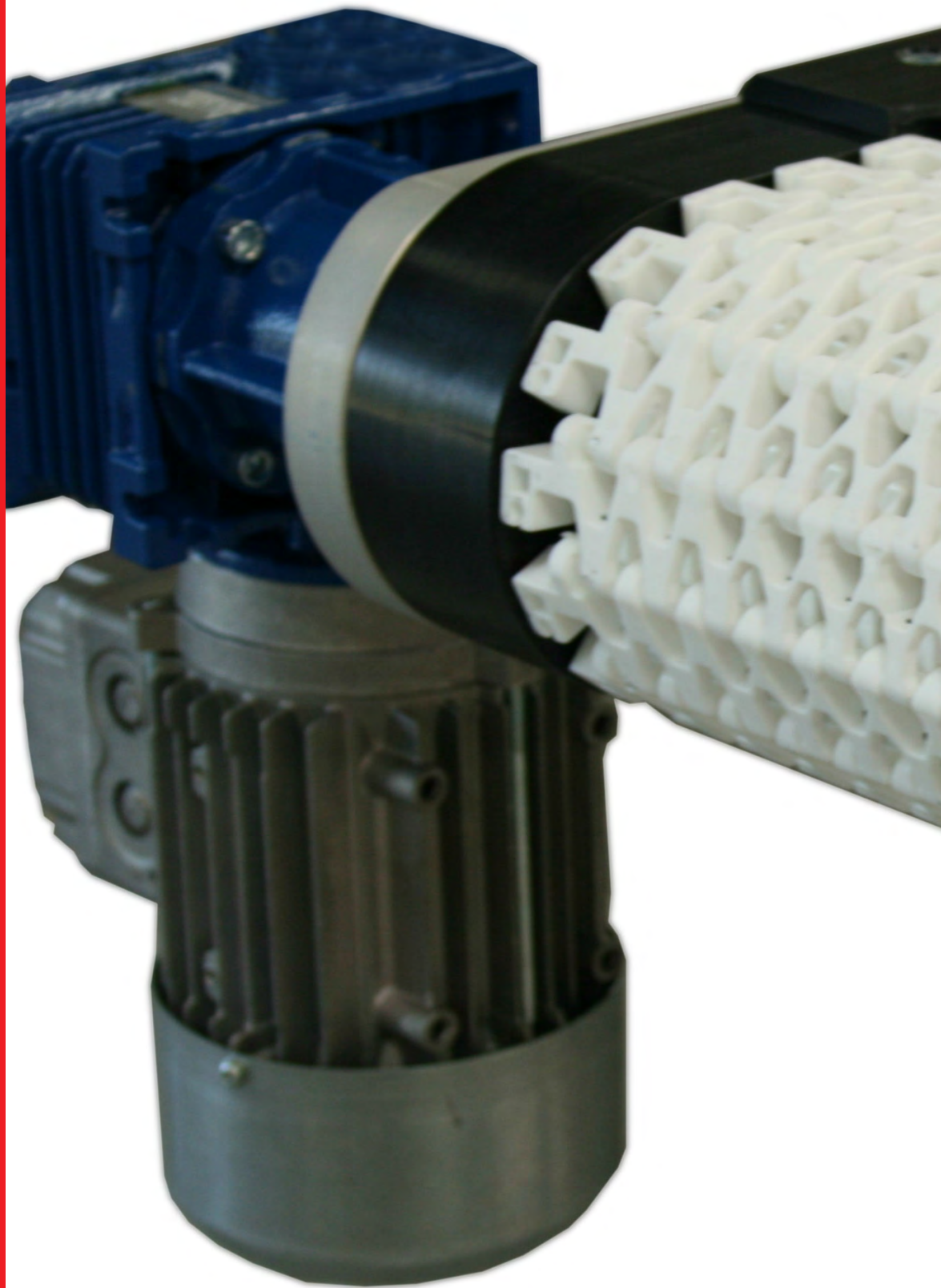
 Right motors

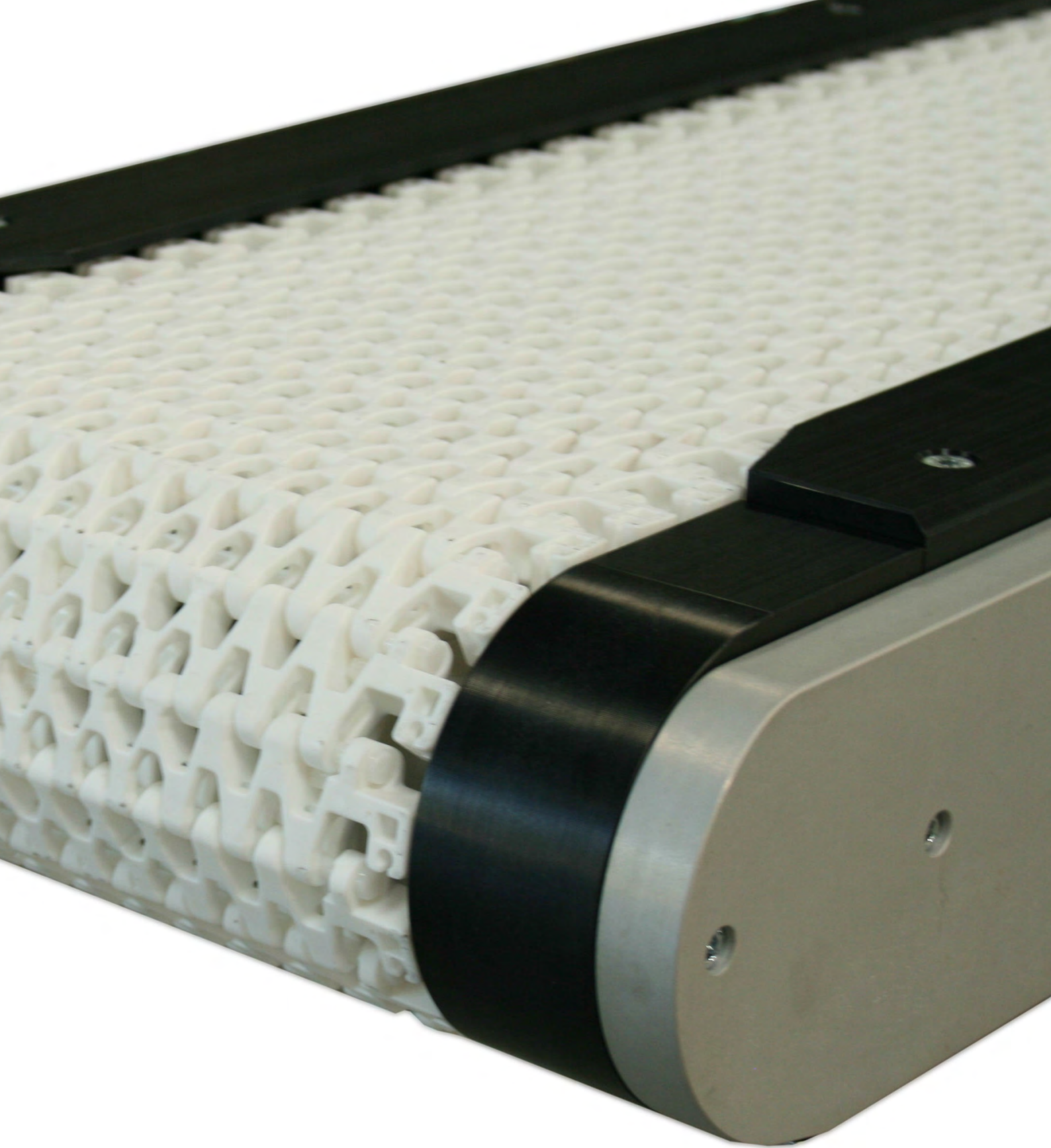


 Left motors

Designation / Dimensions	Order unit	Reference
Conveyor 90 Double timing belt End drive 40 mm	1 pce	C 0040 80 000
Conveyor 90 Double timing belt End drive 80 mm	1 pce	C 0080 80 000
Conveyor 90 Double timing belt End drive 120 mm	1 pce	C 0120 80 000

CONVEYOR MODULAR BELT





Conveyor Modular belt

It allows the carriage of heavy and abrasive parts.

Modular belts are constituted with assembled elements in rows that can be switched, which allows to design custom conveyors almost of all the widths and lengths needed. They can integrate cleats fixed by means of plastic axes along the entire width of the belt.

Very easy to clean.

Quick and easy replacements of links.

elcom has been designing flat belt conveyors for more than 30 years. Based on this experience, **elcom** has developed various types of modular flat belt conveyors:

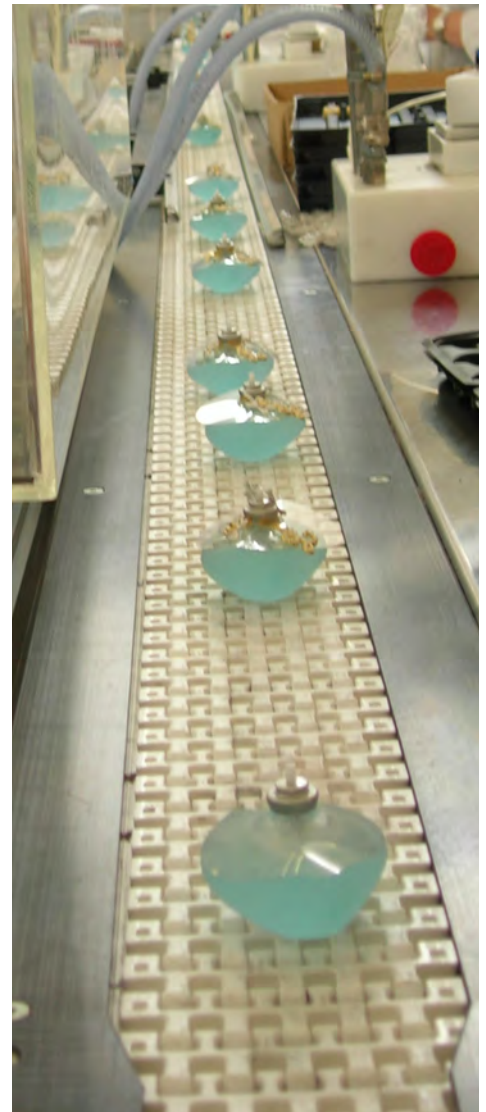
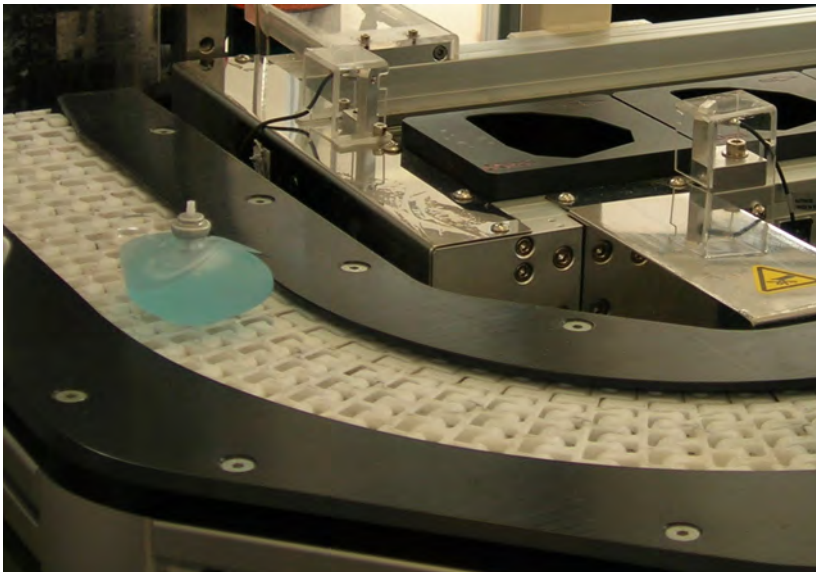
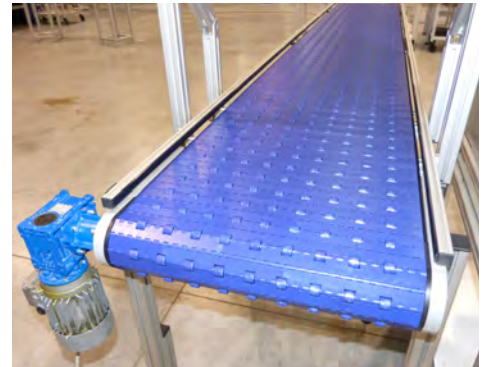
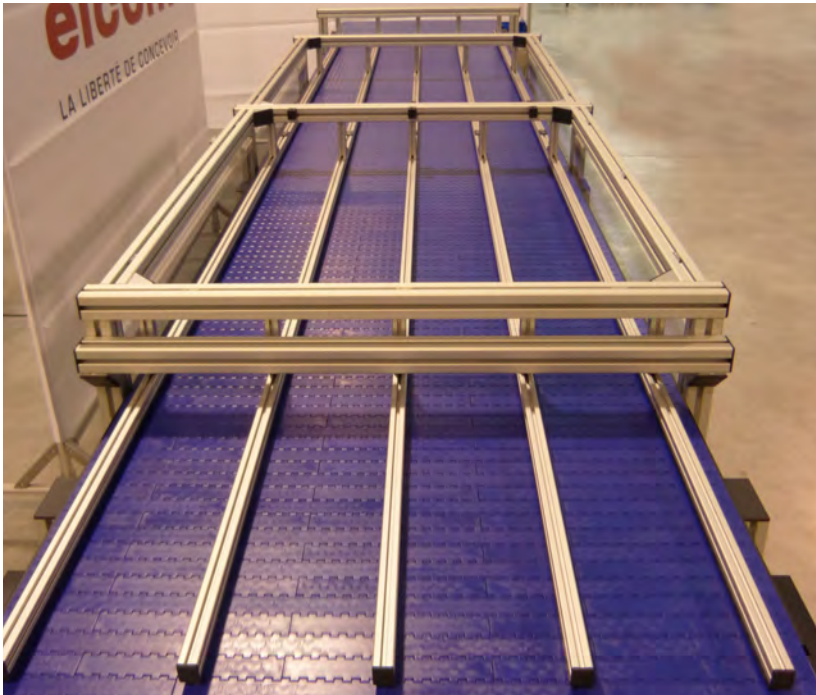
- Conveyor with straight line
- Curved conveyor
- Accumulator table

Benefits:

- Facilitates easy cleaning
- Replacement of links in a simple and fast way.

Do not hesitate to contact us, we will provide you with our expertise and our technical advice for your projects.





CONVEYOR WITH NON DRIVEN ROLLERS





Conveyor with non driven rollers

Straight line

Widths 350, 450, 550, 650 mm

Technical data

Straight compact conveyor to convey all types of cardboard boxes, flat bottom boxes, etc. on zinc-plated steel rollers.

Aesthetic design.

Dimensions (mm)

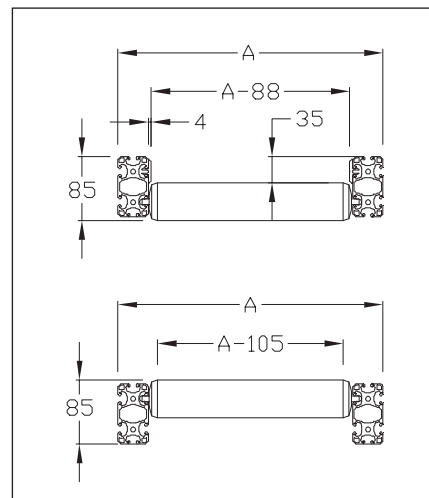
- ✘ Width A: 350 - 450 - 550 - 650
- ✘ Rollers: $\varnothing 50$
- ✘ X: quantity of rollers
- ✘ P: pitch between rollers
55 - 75 - 95
- ✘ $L = (X-1) \times P + 54$
- ✘ Maximum load per roller (daN): 6

Composed of modular elements, fully adaptable to the aluminium profiles range.

Options

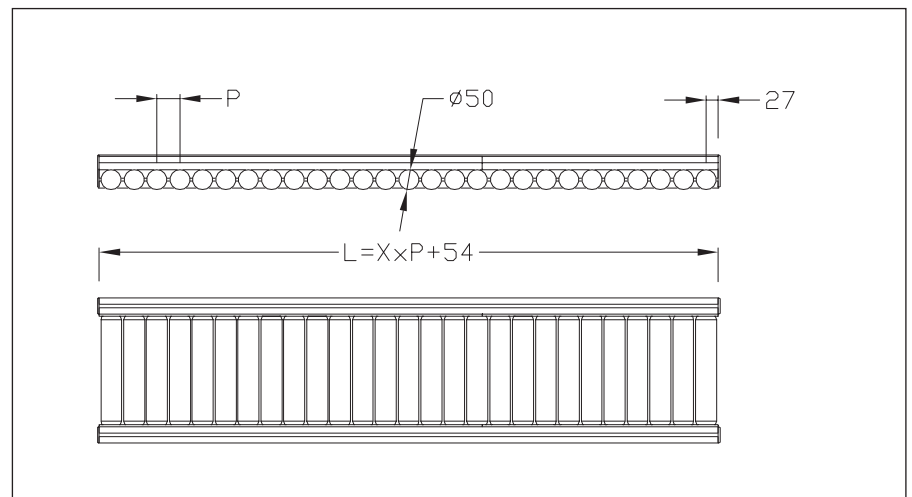
- ✘ Feet or frame in aluminium
- ✘ Lateral guides
- ✘ Pitch between the rollers on request
- ✘ Fixed stopper

Permissible load:
according to widths, lengths and pitch
between rollers



with lateral guides

without lateral guide





Designation / Dimensions	Order unit	Reference
Conveyor with non driven rollers Straight line	1 pce	CR XXX 52 000
Conveyor with non driven rollers with lateral guides Straight line	1 pce	CR XXX 53 000

(XXX = Width A of conveyor: 350-450-550-650 eg.: CR 350 52 000)

Conveyor with non driven rollers

Curved

Widths 350, 450, 550, 650 mm

Technical data

Compact conveyor with a curve to convey all types of cardboard boxes, flat bottom boxes, etc. on truncated-cone shaped rollers.

Composed of modular elements, fully adaptable to the aluminium profiles range.

Aesthetic design.

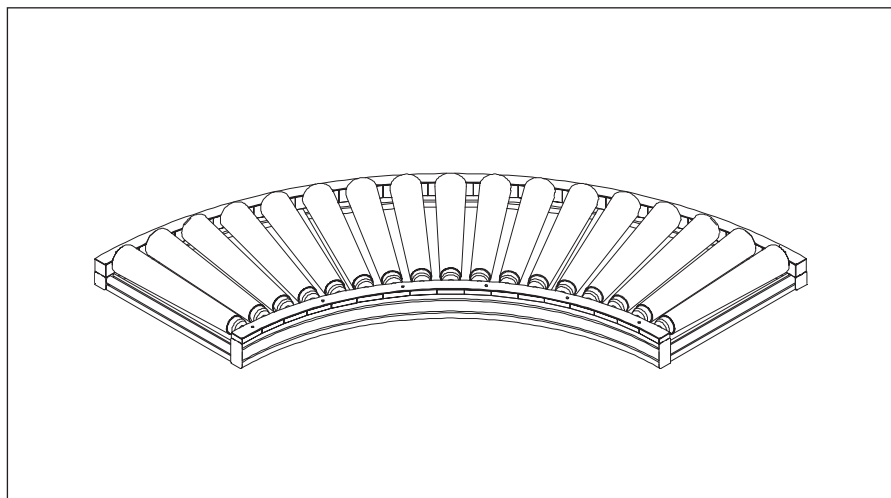
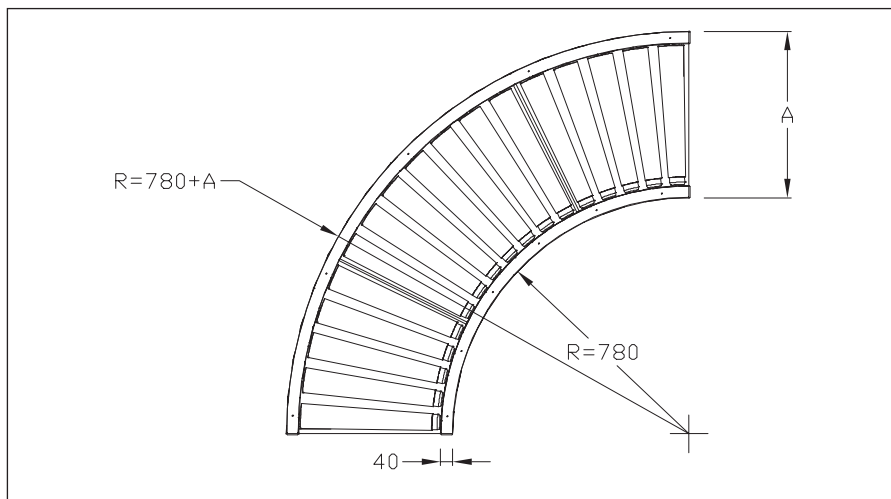
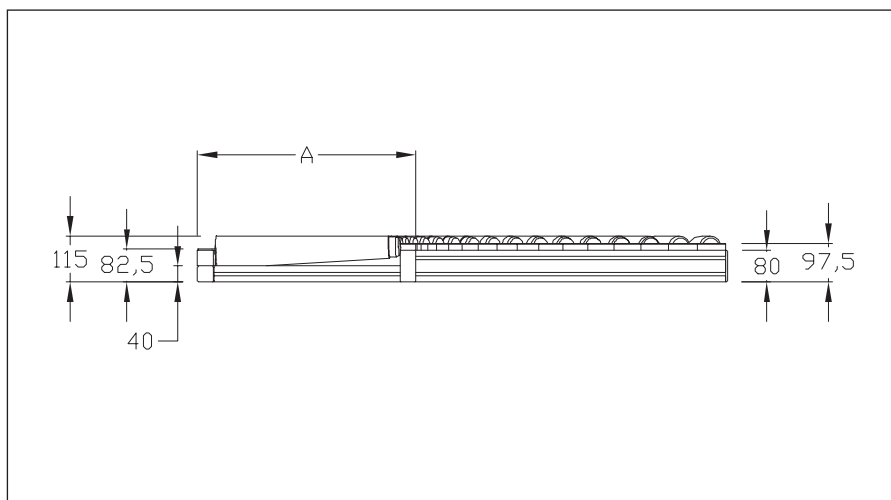
Dimensions (mm)

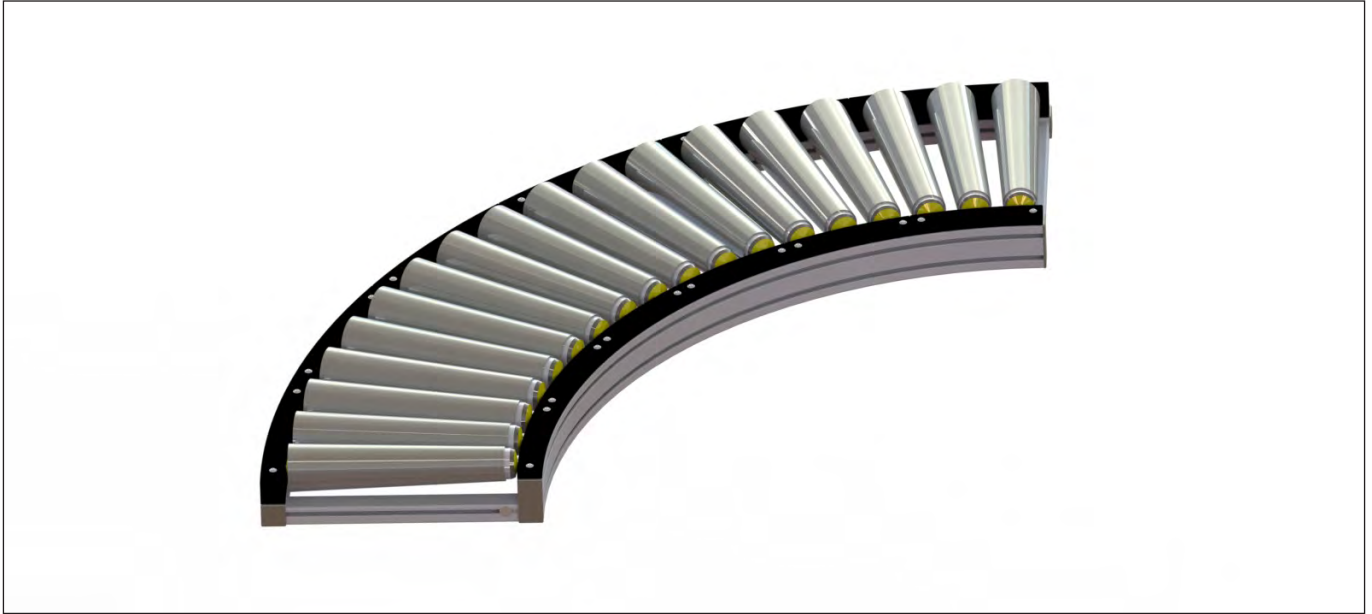
- ✘ Width A: 350 - 450 - 550 - 650
- ✘ Zinc plated steel rollers with PVC coating
- ✘ Pitch between rollers P:
75 on R 820
- ✘ Maximum load per roller (daN): 6
- ✘ Inner radius of curvature: 780

Options

- ✘ Feet or frame in aluminium
- ✘ Lateral guides

Permissible loads:
according to widths, lengths and pitch between rollers





Designation / Dimensions	Order unit	Reference
Conveyor with non driven rollers Curved	1 pce	CRC XXX 52 000

(XXX = width A of conveyor: 350-450-550-650 eg: CR 350 52 000)

CONVEYOR WITH MOTORIZED ROLLERS





Conveyor with motorized rollers

Straight line

Widths 350, 450, 550, 650 mm

Technical data

Straight compact conveyor to convey all types of cardboard boxes, flat bottom boxes, etc. on zinc-plated steel rollers.

Aesthetic design.

Dimensions (mm)

- ✘ Width A: 350 - 450 - 550 - 650
- ✘ Rollers: Ø 50
- ✘ X: quantity of rollers
- ✘ P: pitch between rollers
55 - 75 - 95
- ✘ $L = (X-1) \times P + 55$
- ✘ Maximum load per roller (daN): 6

Composed of modular elements, fully adaptable to the aluminium profiles range.

Gear motors

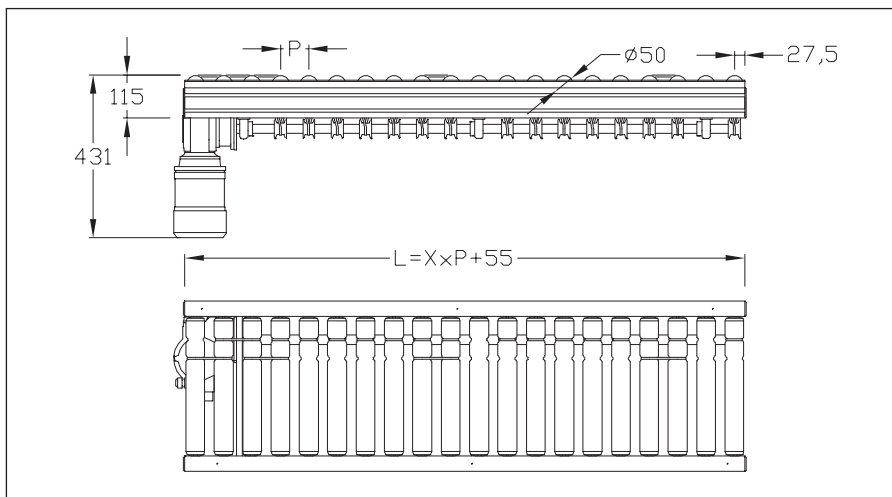
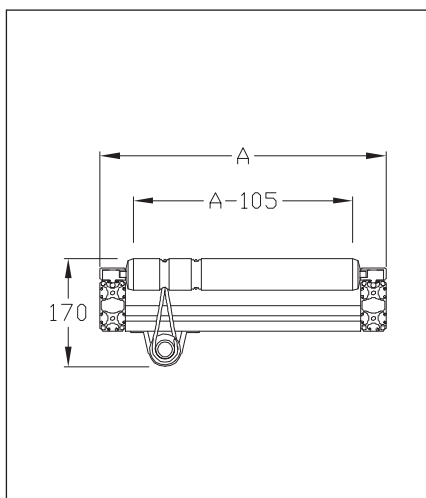
- ✘ Rollers motorization by round belt
- ✘ Speeds (m/min): 6 - 7 - 9 - 12 - 18 - 24

Options

- ✘ Feet or frame in aluminium
- ✘ Lateral guides
- ✘ Pitch between the rollers on request
- ✘ Fixed stopper
- ✘ Distributing stopper
- ✘ Acceleration zone
Speed = conveyor speed x 1.25

Permissible load:

according to widths, lengths and pitch between rollers





Designation / Dimensions	Order unit	Reference
Conveyor with motorized rollers Straight line	1 pce	CR XXX 50 000

(XXX = width A of conveyor: 350-450-550-650 eg: CR 350 50 000)

Conveyor with motorized rollers

Curved

Widths 450, 550, 650 mm

Technical data

Compact motorized conveyor with a curve to convey all types of cardboard boxes, flat bottom boxes, etc. on truncated-cone shaped rollers.

The curved conveyor can be driven by the straight conveyor associated or not.

Composed of modular components, fully adaptable to the aluminium profiles range.

Aesthetic design.

Dimensions (mm)

- ✘ Widths A: 450 - 550 - 650
- ✘ Zinc-plated steel rollers with PVC coating
- ✘ Pitch between rollers P:
65 on R 712
- ✘ Maximum load per roller (daN): 6
- ✘ Inner radius of curvature: 672

Gear motors

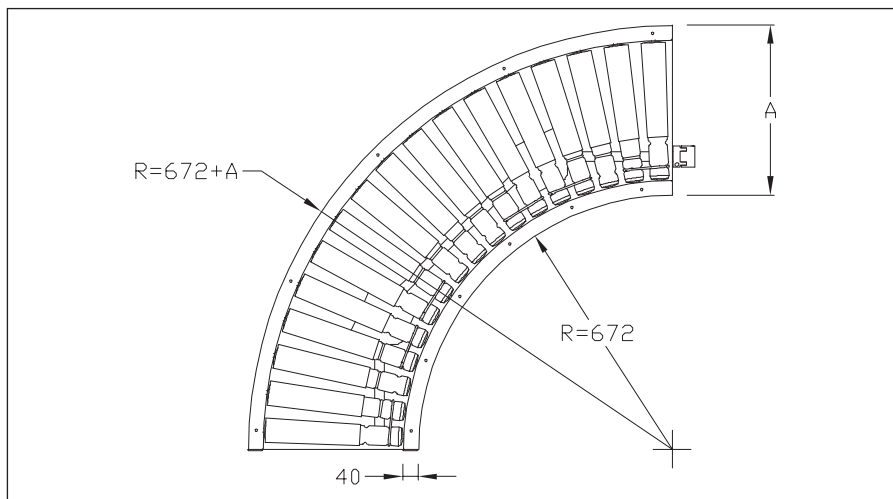
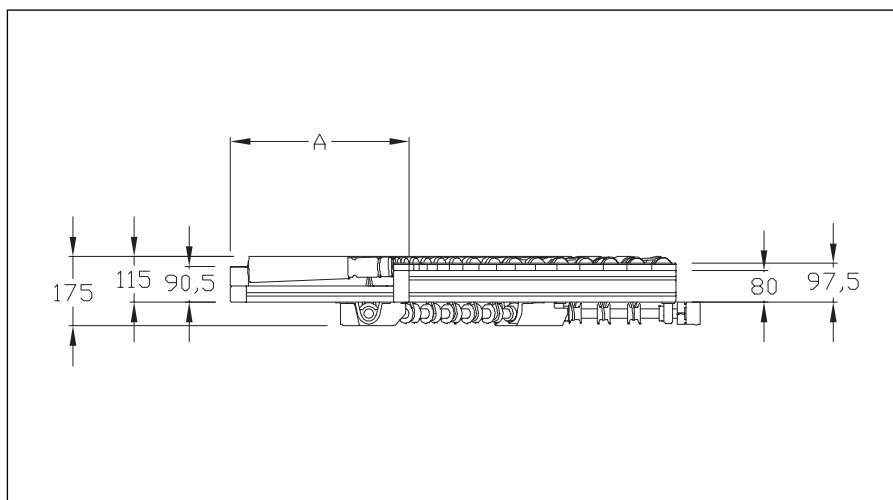
- ✘ Rollers motorization by round belt
- ✘ Speeds (m/min): 6 - 7 - 9 - 12 - 18 - 24

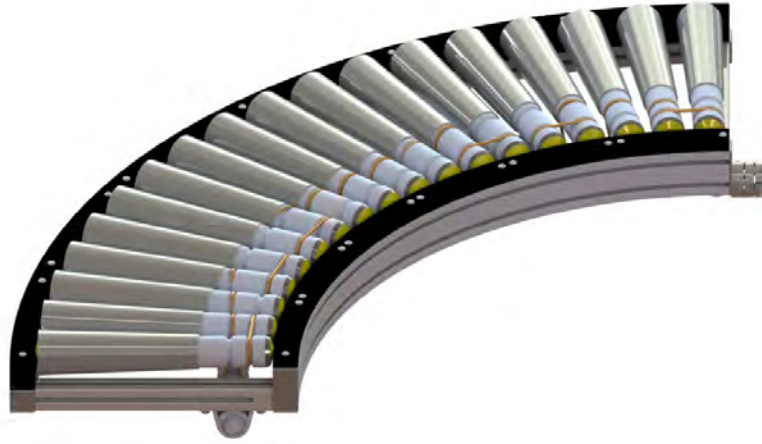
Options

- ✘ Feet or frame in aluminium
- ✘ Lateral guides

Permissible load:

According to widths, lengths and pitch between rollers





Designation / Dimensions	Order unit	Reference
Conveyor with motorized rollers Curved	1 pce	CRC XXX 50 000

(XXX = width A of conveyor: 450-550-650 ex.: CRC 450 50 000)

ACCESSORIES





Belts data

TYPE OF BELT	APPLICATION	SPECIAL TECHNICAL DATA/ USE	COLOR
PVC	Standard. For conveying all kind of parts and material.	Antistatic Food quality	Grey Green Black
Polyurethane	Belt adapted to aggressive parts, oily environment. Possible important accumulations of parts.	Antistatic Food quality Army Possible welding of cleated belts	Green White Blue
Rubber	Good abrasion, cut and shock resistance.	Very good adherence.	Green
Silicone	For conveying parts at high temperature.	Very good adherence.	White



Special belts on request.

Main categories	Reference	Width	Coating	Color	Belt strength	ESD	Food	Temp mini	Temp maxi
PU belt for accumulation									
	C02010197	020	TPU	green	1,30 mm	x	x	-15 °C	80 °C
	C04010198	040	TPU	green	1,30 mm	x	x	-15 °C	80 °C
	C08010199	080	TPU	green	1,30 mm	x	x	-15 °C	80 °C
	C12010200	120	TPU	green	1,30 mm	x	x	-15 °C	80 °C
	C16010201	160	TPU	green	1,30 mm	x	x	-15 °C	80 °C
	C20010202	200	TPU	green	1,30 mm	x	x	-15 °C	80 °C
	C25010202	250	TPU	green	1,30 mm	x	x	-15 °C	80 °C
	C30010202	300	TPU	green	1,30 mm	x	x	-15 °C	80 °C
	C40010202	400	TPU	green	1,30 mm	x	x	-15 °C	80 °C
	C050010202	500	TPU	green	1,30 mm	x	x	-20 °C	100 °C
	C060010202	600	TPU	green	1,30 mm	x	x	-20 °C	100 °C
	C070010202	700	TPU	green	1,30 mm	x	x	-20 °C	100 °C
	C080010202	800	TPU	green	1,30 mm	x	x	-20 °C	100 °C
	C100010202	1000	TPU	green	1,30 mm	x	x	-20 °C	100 °C
PVC coating			PVC		2,10 mm	x	-	-10 °C	70 °C
	C04010203	40	PVC	anthracite	1,65 mm	x	-	-5 °C	70 °C
	C08010203	80	PVC	anthracite	1,65 mm	x	-	-5 °C	70 °C
	C12010203	120	PVC	anthracite	1,65 mm	x	-	-5 °C	70 °C
	C16010203	160	PVC	anthracite	1,65 mm	x	-	-5 °C	70 °C
	C20010203	200	PVC	anthracite	1,65 mm	x	-	-5 °C	70 °C
	C25010203	250	PVC	anthracite	1,65 mm	x	-	-5 °C	70 °C
	C30010203	300	PVC	anthracite	1,65 mm	x	-	-5 °C	70 °C
	C40010203	400	PVC	anthracite	1,65 mm	x	-	-5 °C	70 °C
	C050010203	500	PVC	anthracite	1,90 mm	x	-	-10 °C	70 °C
	C060010203	600	PVC	anthracite	1,90 mm	x	-	-10 °C	70 °C
	C070010203	700	PVC	anthracite	1,90 mm	x	-	-10 °C	70 °C
	C080010203	800	PVC	anthracite	1,90 mm	x	-	-10 °C	70 °C
	C100010203	1000	PVC	anthracite	1,90 mm	x	-	-10 °C	70 °C
PVC belt	option		PVC	green	2,00 mm	x	-	-10 °C	70 °C
Belt for inclined conveyor	option		PVC	black	2,50 mm	x	-	-10 °C	60 °C
PET belt for accumulation	option		PET	white	0,90 mm	x	x	-30 °C	80 °C
	option		PA	grey	0,90 mm	-	-	-30 °C	80 °C
Silicon belt	option		SI	white	1,00 mm	-	x	-30 °C	80 °C
	option		SI	white	0,90 mm	-	x	-30 °C	100 °C
Silicon belt able to withstand extreme temperatures.	option		SI						
	option		SI						
PU belt	option		TPU		1,70 mm	x	-	-30 °C	80 °C
	option		TPU	white	1,30 mm	x	x	-30 °C	80 °C
	option		TPU	white	1,60 mm	x	x	-30 °C	80 °C
Abrasion-resistant rubber belt	option		NBR	green	1,50 mm	x	-	0 °C	80 °C
	option		NBR	green	2,00 mm	x	-	0 °C	100 °C
	option		PUR	green	1,20 mm	x	-	-20 °C	100 °C

Motorizations

x Gear motor 24 VDC:

Power: 0,037 KW
 Maxi current: 2,5 A
 IP 65

x Gear motor 230 V single-phase 50 Hz:

Power: 0,09 KW
 Maxi current: 0,4 A
 IP 54

x Gear motor 230-400 V three-phase 50 Hz:

Power: 0,09 KW
 Maxi current: 0,4 A
 IP 54

x Gear motor 230-400 V three-phase 50 Hz:

Power: 0,25 KW
 Maxi current: 0,83 A
 IP 54

Other motors on request.

Frequency inverter

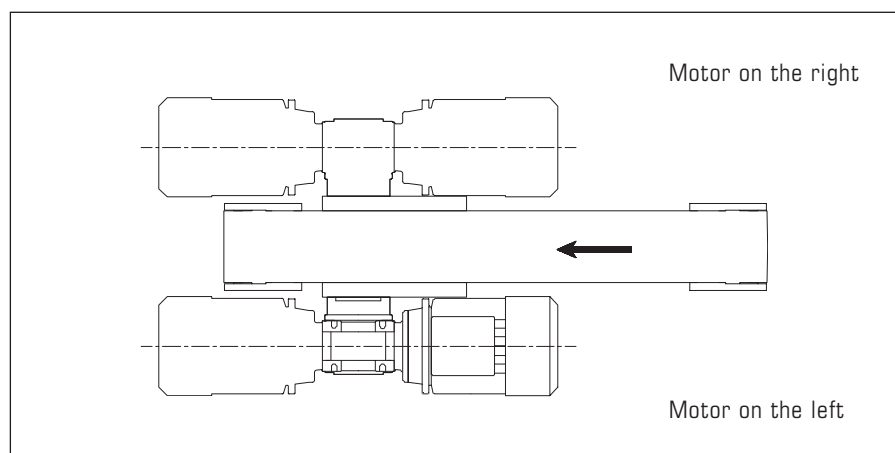
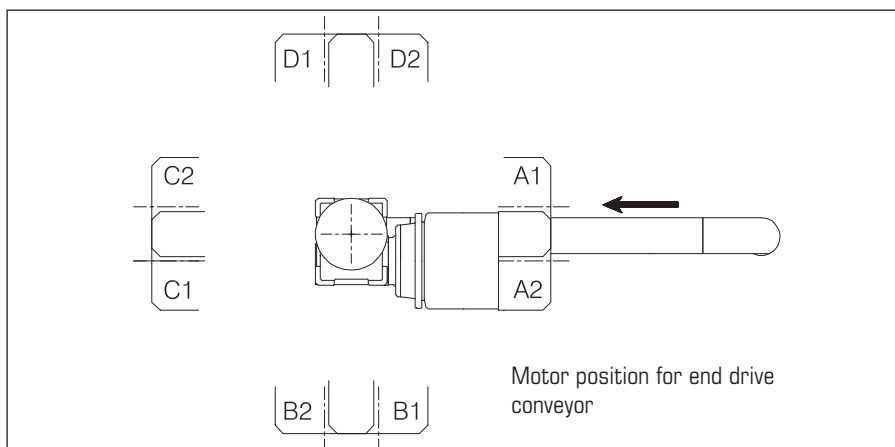
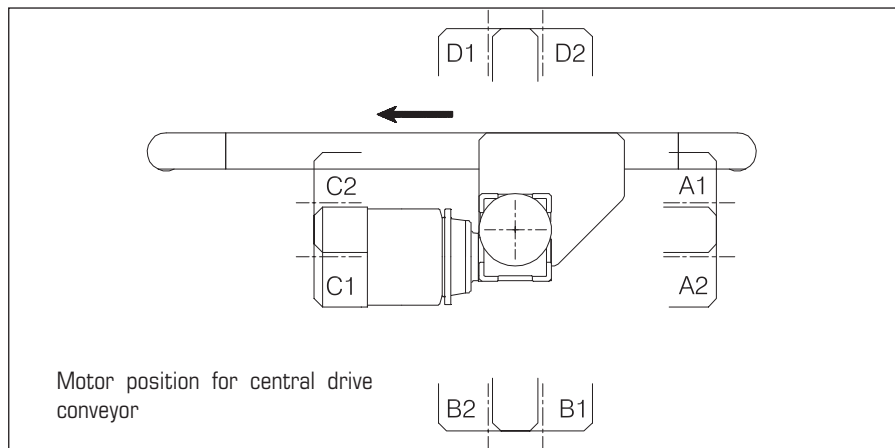
x Reference C000 30 001:
 for 100 W maximum.

x Reference C000 30 002:
 for 400 W maximum.

x Power supply 230 V single-phase 50 Hz
 output 230 V 400 three-phase.

x Variation with standard motor +/- 20%
 of the speed.

x Possible use of motor with forced draught.



Extremity Ø 21 mm Conveyor 40

Technical data

Enables to decrease the radius in end of the conveyor 40.

Particularly adapted for passing small components between two conveyors.

L = conveyor center distance

L for end drive conveyor:

$$2 \times L + 119,5$$

L for central drive conveyor + 1 extremity:

$$(2 \times L + 342) \times 0,995$$

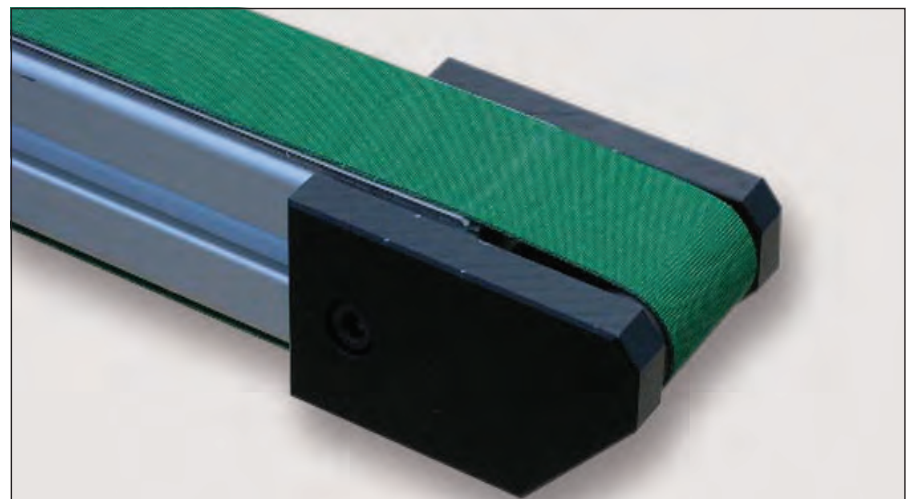
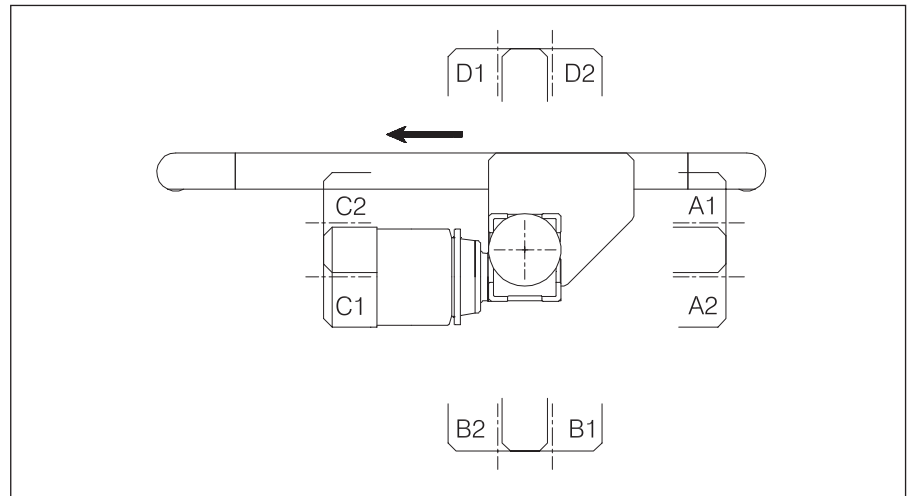
L for central drive conveyor + 2 extremities

$$(2 \times L + 324,5) \times 0,995$$

Dimensions (mm)

x Width A : 40 - 80 - 120 - 160 - 200 - 250
- 300 - 400

Installation tension: 0.5% maxi



Designation / Dimensions	Order unit	Reference
Extremity for width 40	1 pce	C 040 30 000
Extremity for width 80	1 pce	C 080 30 000
Extremity for width 120	1 pce	C 120 30 000
Extremity for width 160	1 pce	C 160 30 000
Extremity for width 200	1 pce	C 200 30 000
Extremity for width 250	1 pce	C 250 30 000
Extremity for width 300	1 pce	C 300 30 000
Extremity for width 400	1 pce	C 400 30 000

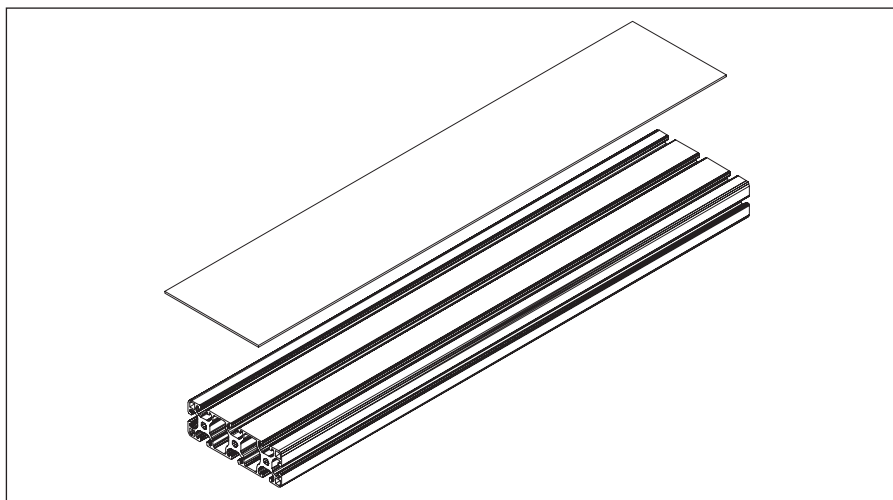
Plates Conveyors 40 and 90

For flat belt conveyor 40

The structure of flat belt conveyors is aluminium profiles.

A stainless or galvanized steel plate, thickness 2 mm, can be added between the belt and the structure, on request.

The conveyors with width 200 to 400 mm are fitted out with stainless steel plates in the standard version.

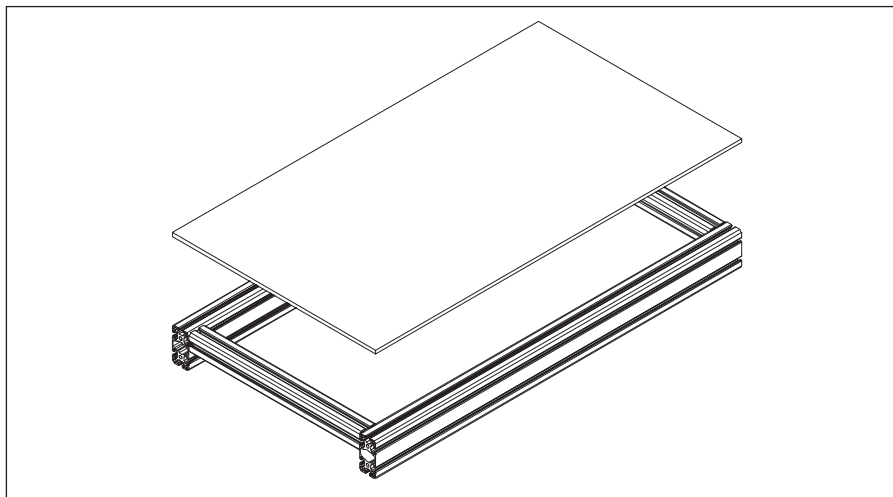


For flat belt conveyor 90

All conveyors are fitted out with a plate.
(Standard = compact laminate 8 mm).

Several types are possible:

- ✘ Compact laminate 8 mm
- ✘ Stainless steel 2 mm

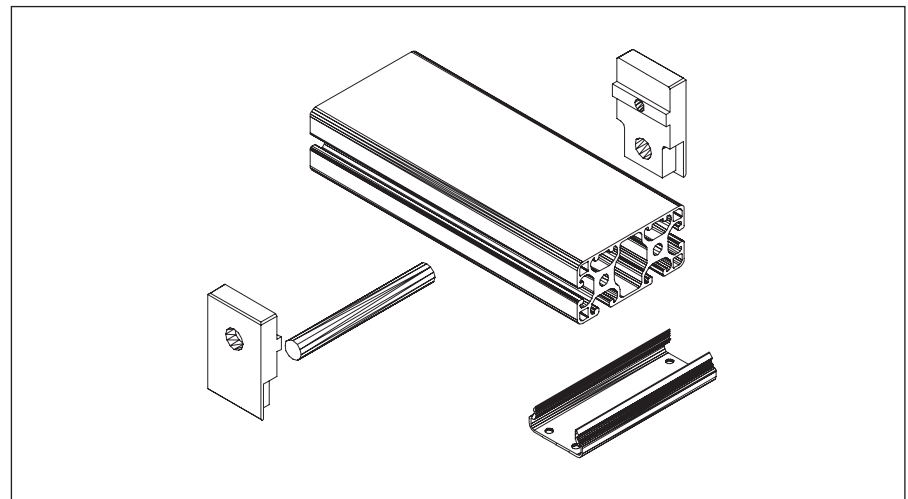
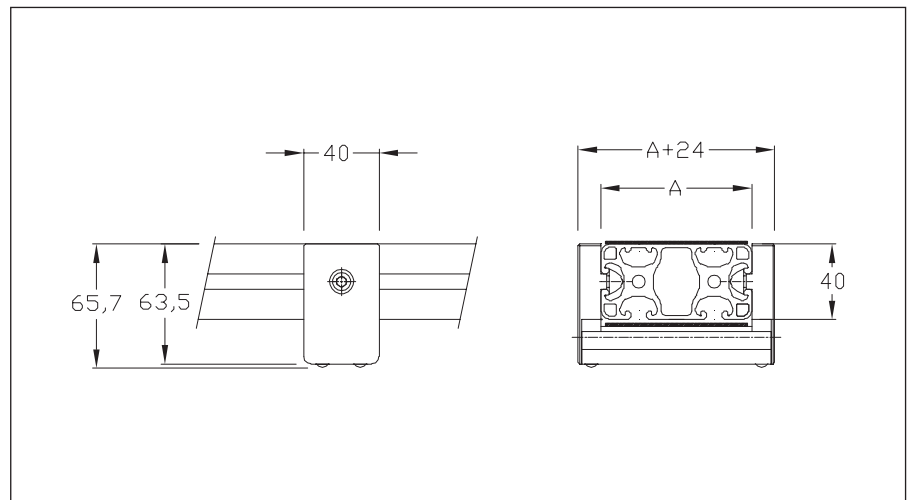


Lower belt support Conveyor 40

Support to limit sagging of the belt underneath on long conveyors.

Dimensions (mm)

x Width A : 40 - 80 - 120 - 160 - 200 - 250 - 300 - 400



Designation / Dimensions	Order unit	Reference
Lower belt support width 40	1 pce	C 040 60 000
Lower belt support width 80	1 pce	C 080 60 000
Lower belt support width 120	1 pce	C 120 60 000
Lower belt support width 160	1 pce	C 160 60 000
Lower belt support width 200	1 pce	C 200 60 000
Lower belt support width 250	1 pce	C 250 60 000
Lower belt support width 300	1 pce	C 300 60 000
Lower belt support width 400	1 pce	C 400 60 000

Lower belt support Conveyors 80 and 90

Technical data

Support to limit sagging of the belt underneath on long conveyors.

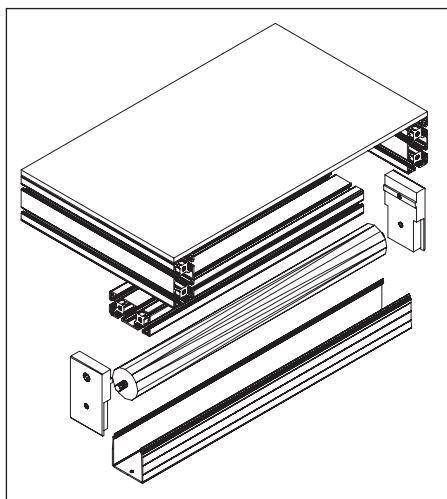
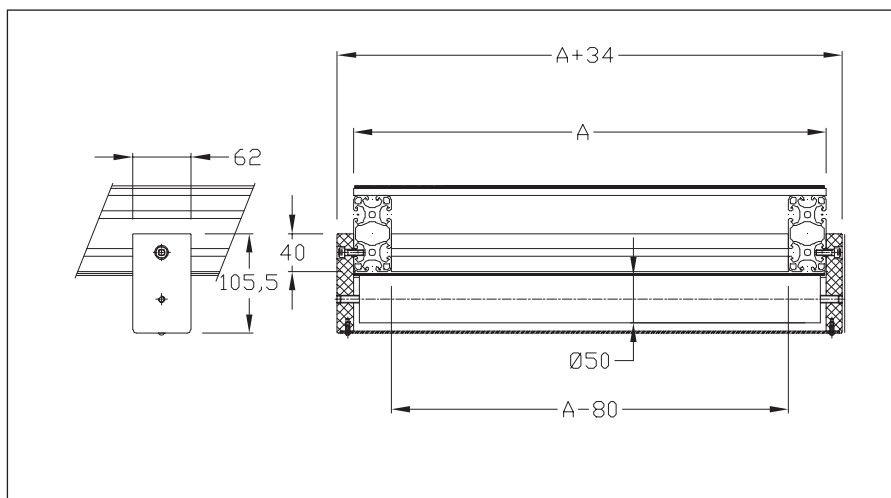
Conveyor 80

Modular width

Conveyor 90

Dimensions (mm)

x Width A : 500 - 600 - 700 - 800 - 1000



Designation / Dimensions	Order unit	Reference
Lower belt support Conveyor 90 width 500	1 pce	C 0500 20 000
Lower belt support Conveyor 90 width 600	1 pce	C 0600 20 000
Lower belt support Conveyor 90 width 700	1 pce	C 0700 20 000
Lower belt support Conveyor 90 width 800	1 pce	C 0800 20 000
Lower belt support Conveyor 90 width 1000	1 pce	C 1000 20 000
Lower belt support Conveyor 80	1 pce	C XXXX 20 000

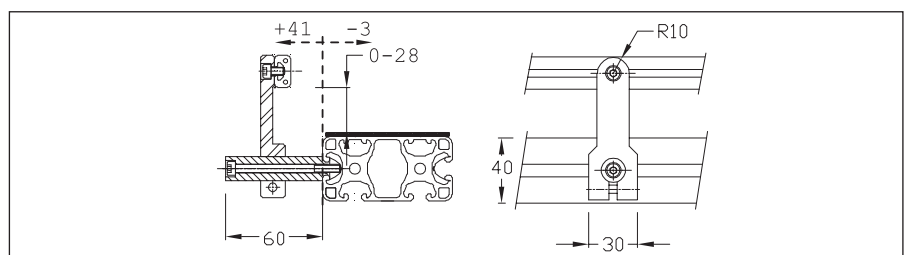
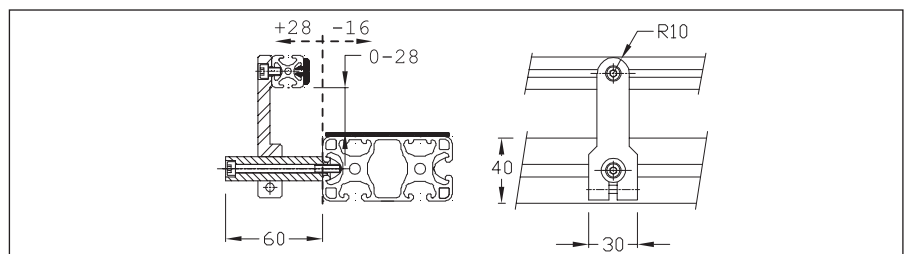
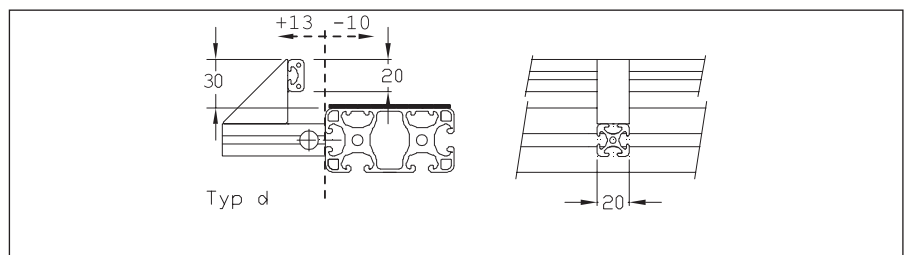
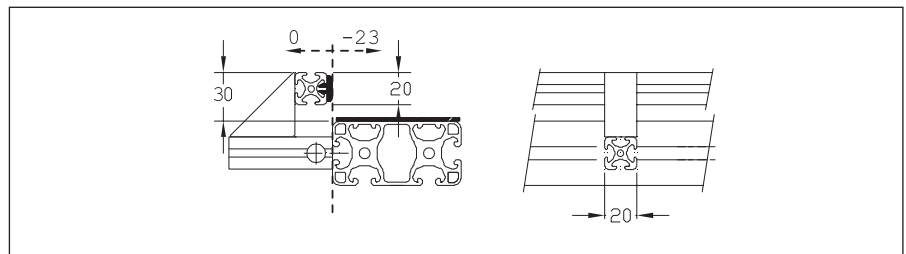
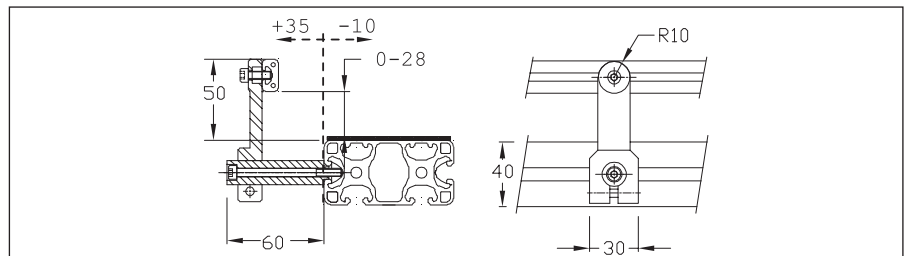
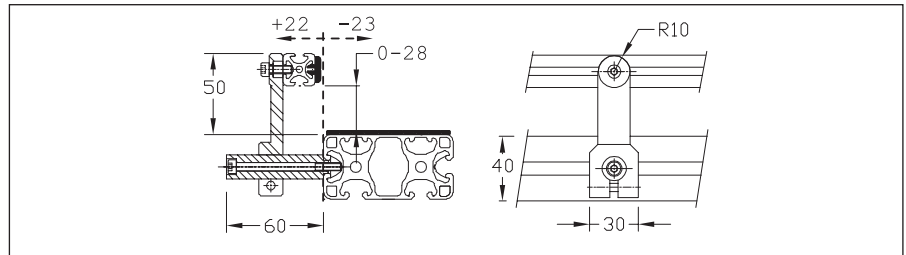
(XXXX = Width A of conveyor)

Lateral guides

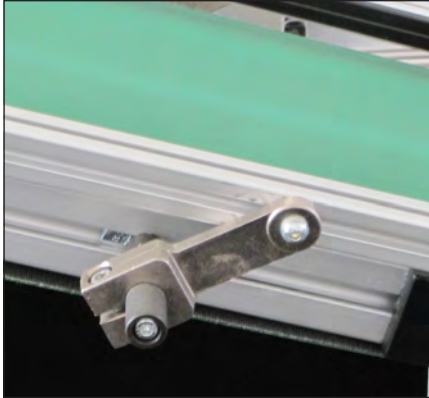
Technical data

Several types of lateral guides are available in standard version.

Special lateral guides on request.



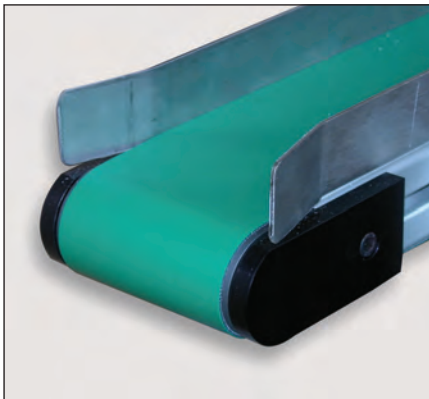
Examples of lateral guides



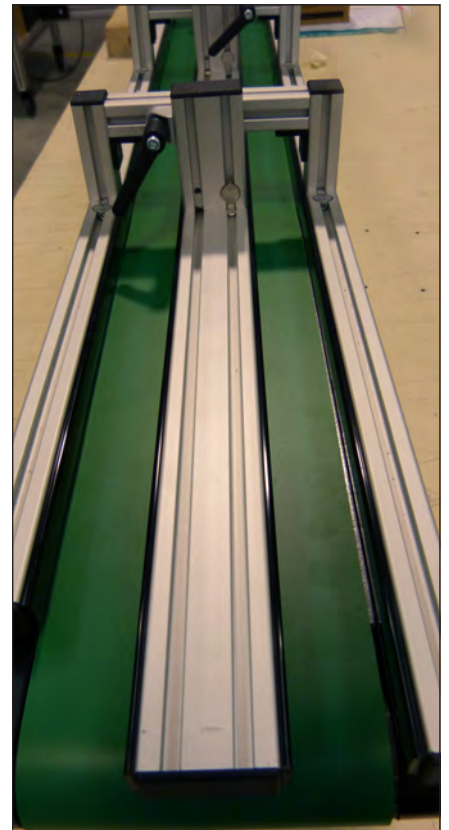
Type a



Type e



Several special solutions for lateral guides

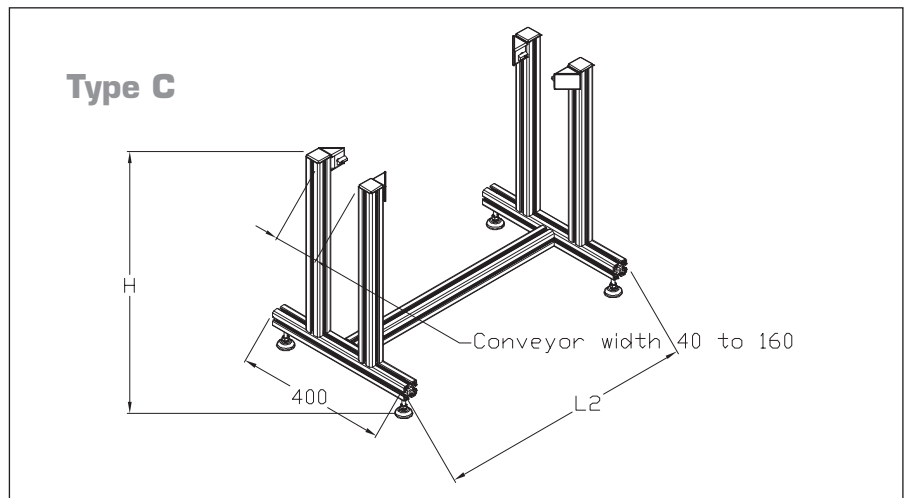
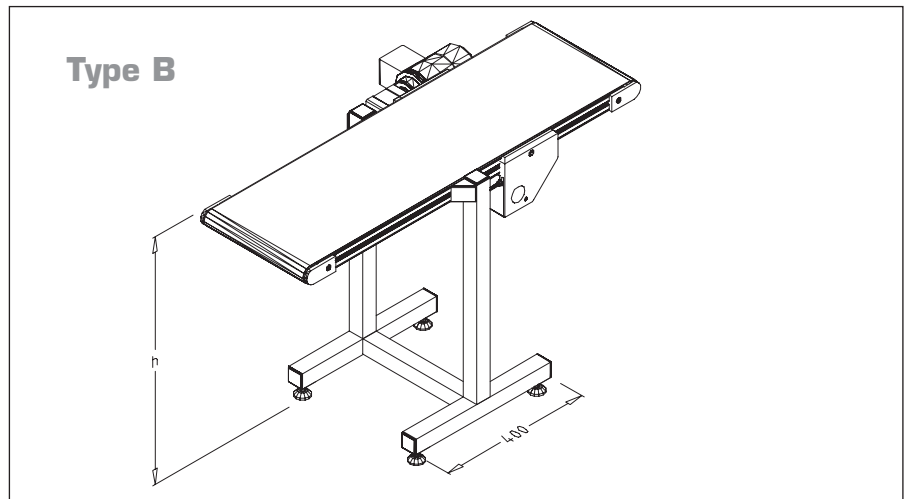
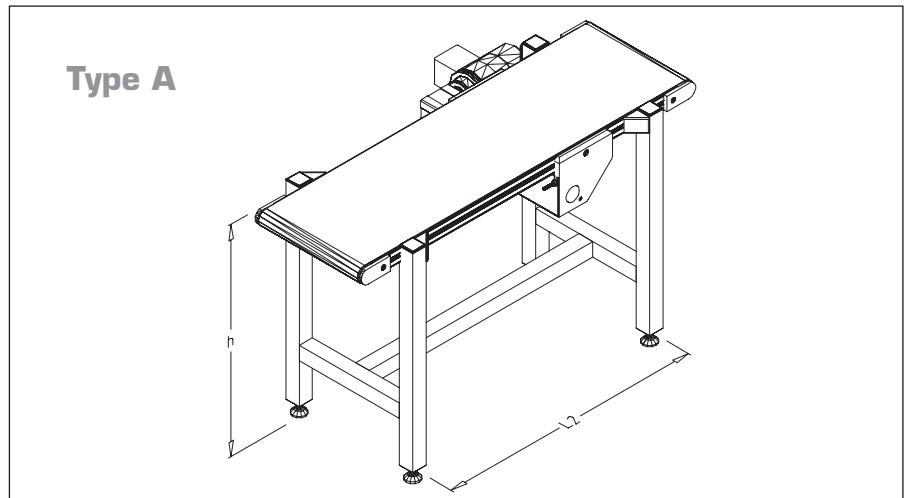


Conveyor stands Type A - Type B - Type C

Support to limit sagging of the belt underneath on long conveyors.

Dimensions (mm)

x Width A: 40 - 80 - 120 - 160 - 200 - 250 - 300 - 400 mm



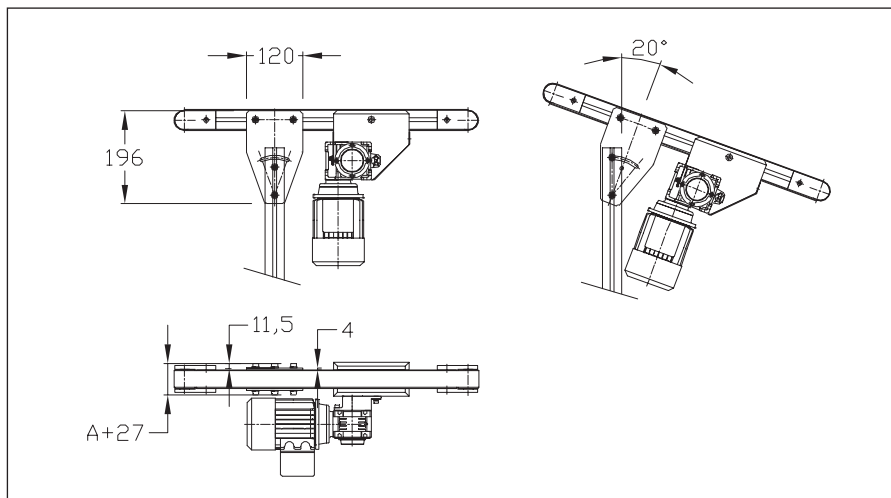
Fastening plate

Technical data

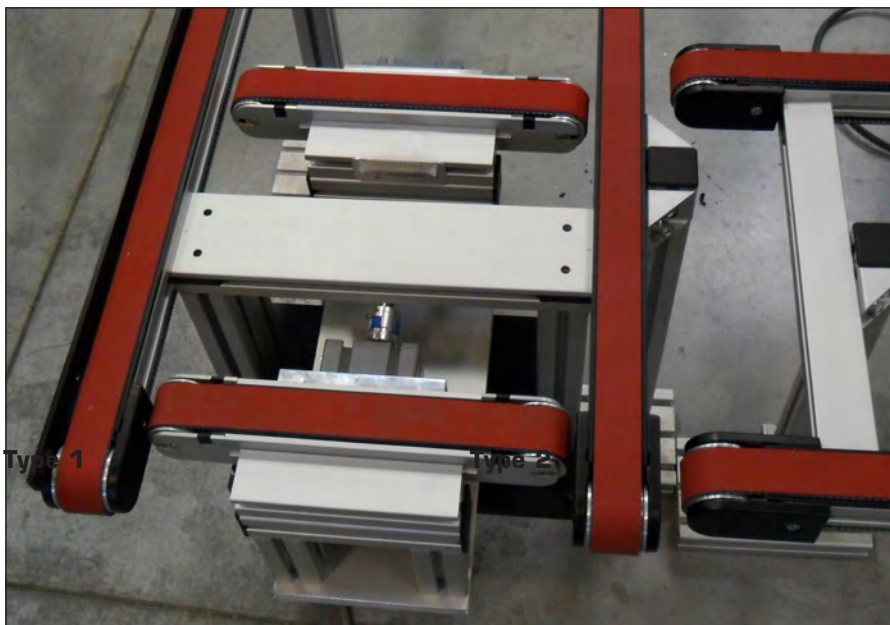
Easy assembly of inclined conveyors.
Stainless steel sheet thickness 4 mm.

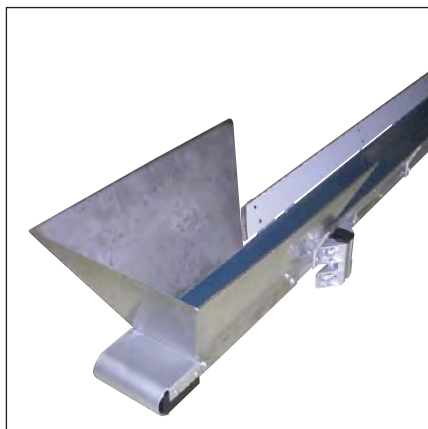
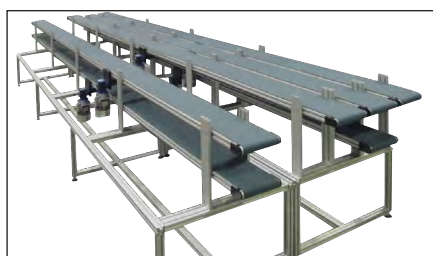
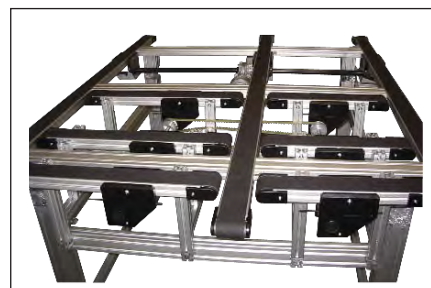
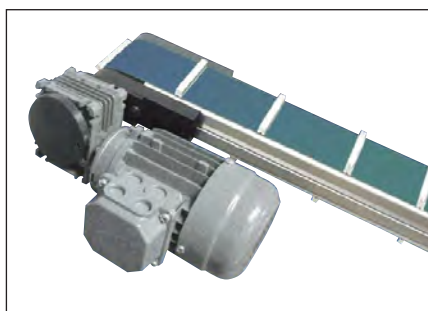
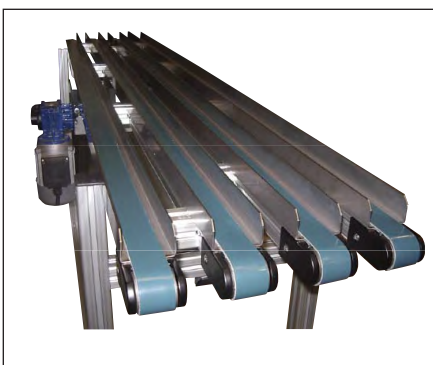
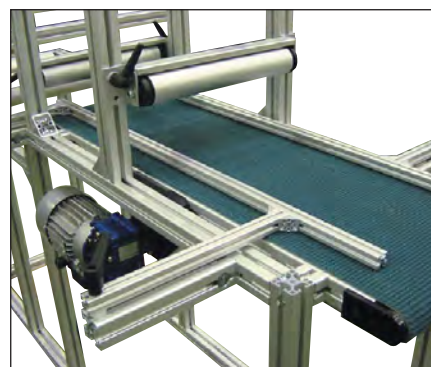
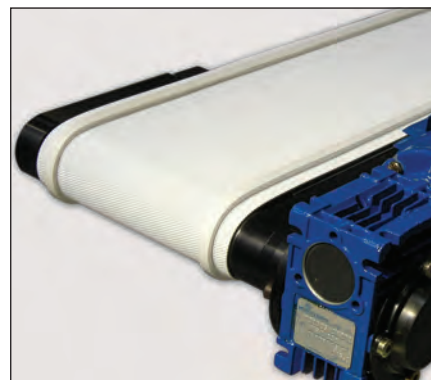
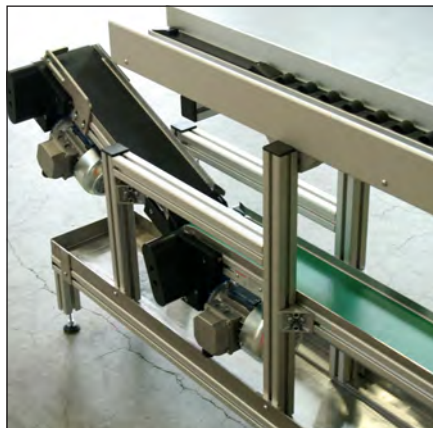
Set including:

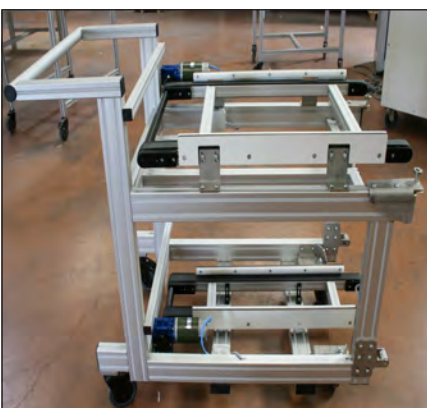
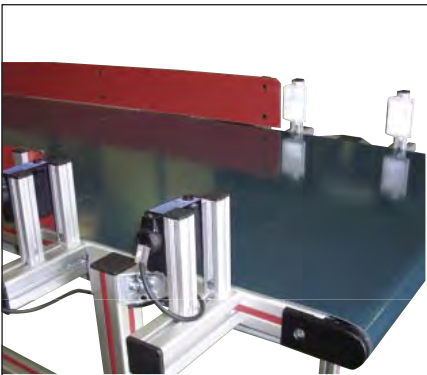
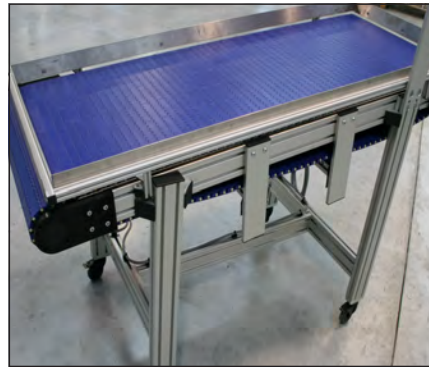
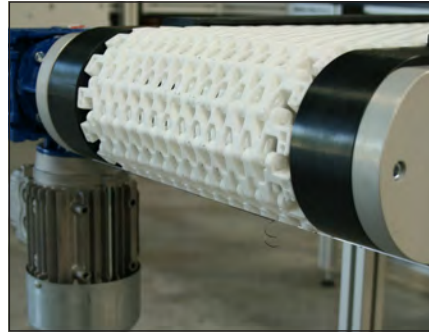
- ✘ 1 stainless steel plate
- ✘ 4 T-Slot nuts 8 St MB
- ✘ 4 screws MB



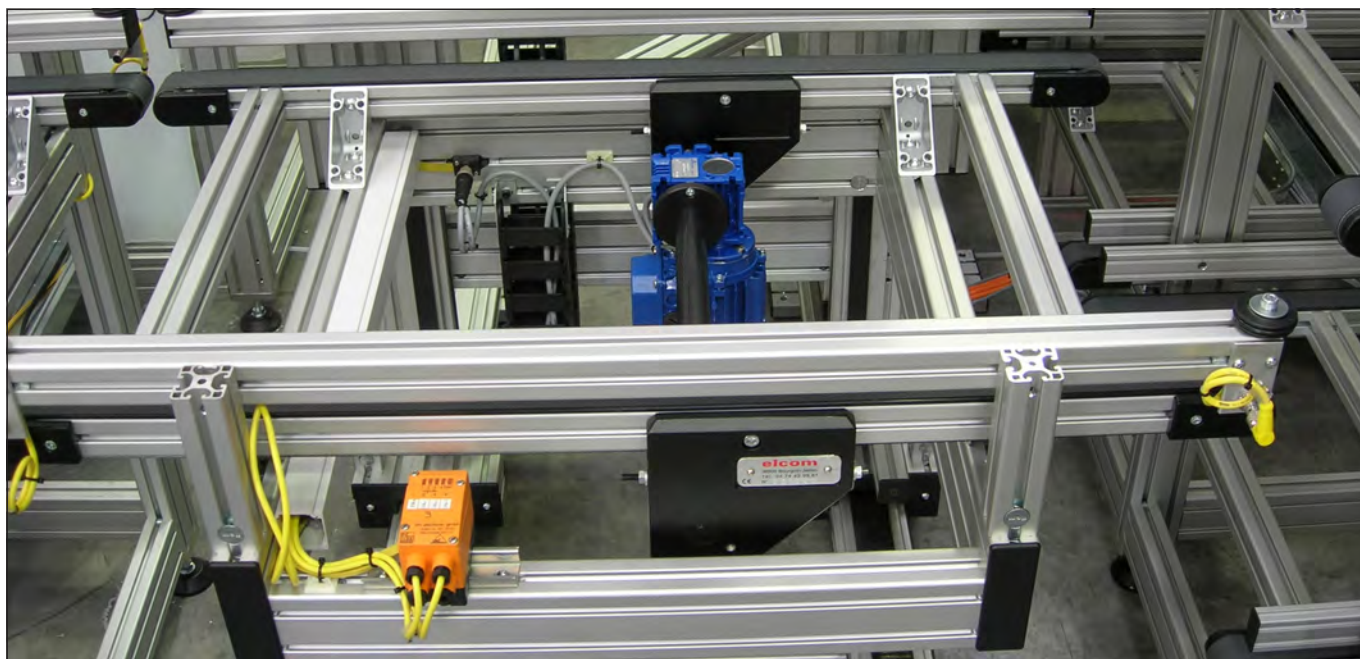
Applications







Special double belt conveyor with central drive



Multiple double belt conveyors with timing belt drives



Double belt conveyor in a high complete automated storage

Notes

A series of horizontal red lines for writing notes, spanning the width of the page below the "Notes" header.

Conveyor determination sheet

Customer :	<input type="text"/>	Distributor:	<input type="text"/>
No.	<input type="text"/>	Elcom Contact:	<input type="text"/>
Contact:	<input type="text"/>	Quotation No.:	<input type="text"/>
Customer order No.:	<input type="text"/>	Order No.:	<input type="text"/>
		Conveyor No.:	<input type="text"/>

TYPE	C 000
-------------	--------------

Environment:	<input type="text"/>							
Carried part:	<input type="text"/>							
Carried load (kg):	<input type="text"/>	No. Of parts:	<input type="text"/>	Accumulation :	<input type="text"/>	T° :	<input type="text"/>	°C

Conveyor width:	<input type="text"/>	mm	<input type="checkbox"/>	Non std width:	<input type="text"/>	mm
Single / Double :	<input type="text"/>	Space between axes E:	<input type="text"/>	mm		
Drive:	<input type="text"/>					
Extremity ø21:	<input type="text"/>					

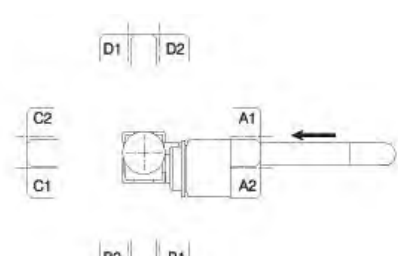
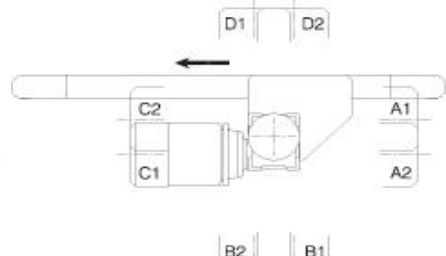
Conveyor length L:	<input type="text"/>	mm	Belt type:	<input type="text"/>
Belt:	<input type="text"/>			
Other belt:	<input type="text"/>			
Stainless steel plate:	<input type="text"/>	Number of strand carrier:	<input type="text"/>	

Gear motor:	<input type="text"/>	Other:	<input type="text"/>		
Standard speed:	<input type="text"/>	m/min	Other:	<input type="text"/>	m/min
Motor position (R/L):	<input type="text"/>	Position moteur (T/P) :	<input type="text"/>		
Motor position:	<input type="text"/>	L1 :	<input type="text"/>	mm	

Foot:	<input type="text"/>	Number of feet:	<input type="text"/>		
Height:	<input type="text"/>	mm	Distance between external feet L2:	<input type="text"/>	mm
Other (drawing ref.):	<input type="text"/>				

Lateral guide:	<input type="text"/>	Number of carrier:	<input type="text" value="0"/>
Length:	<input type="text"/>	mm	
Other (drawing ref.):	<input type="text"/>		

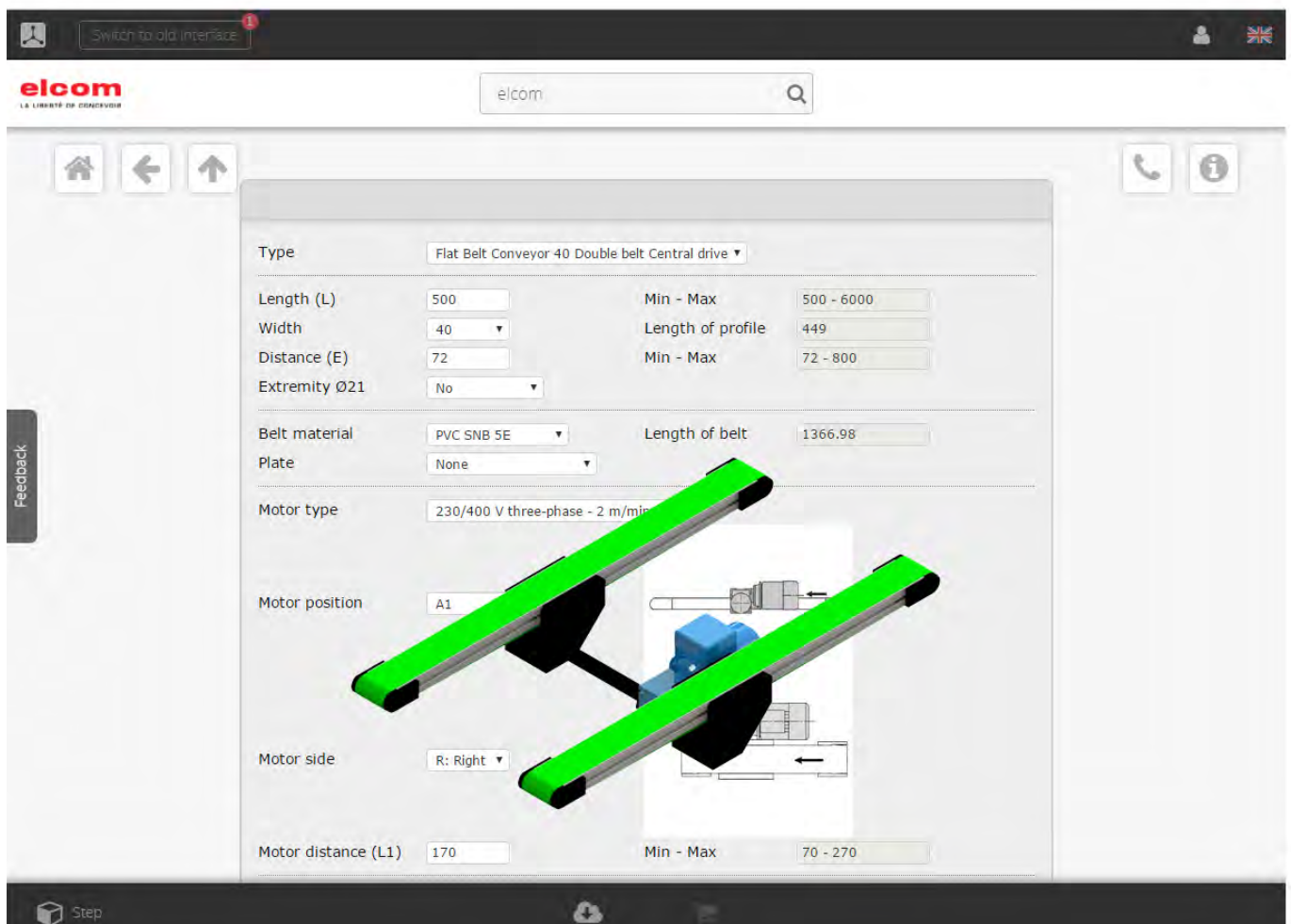
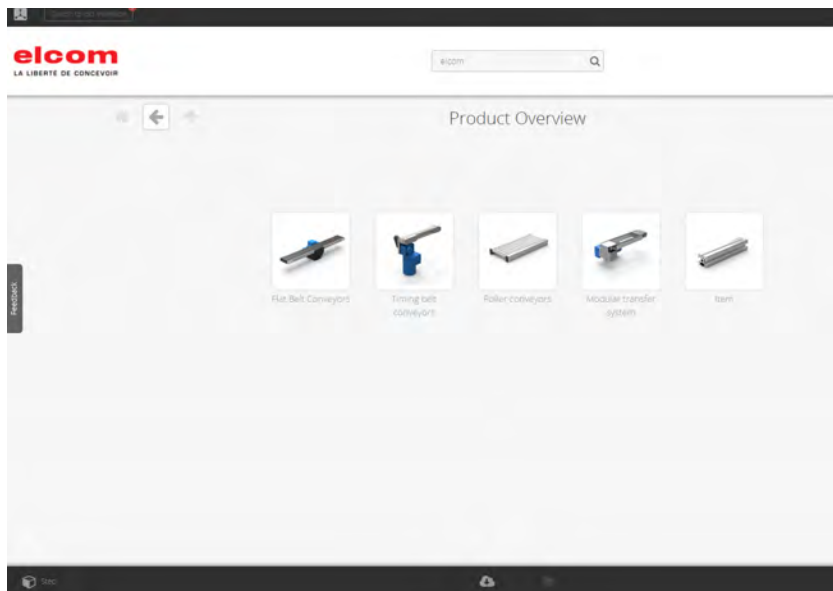
Comments:

Our website www.elcom.fr offers the possibility of configuring yourself on-line the conveyor corresponding to your needs.

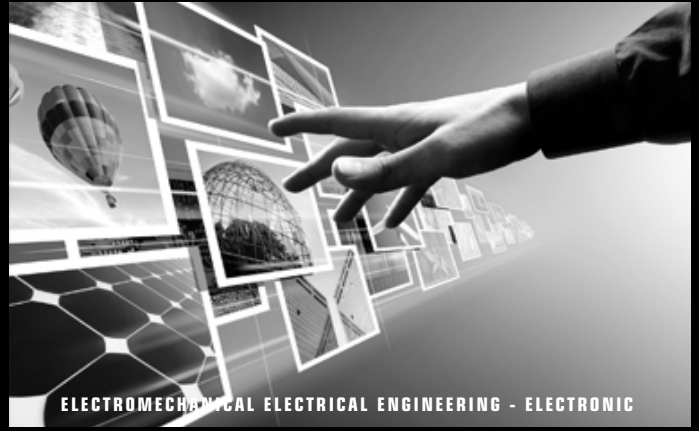
Download the requested solutions in CAD 2D-3D format.

All CAD 2D-3D files are downloadable from our website.





AUTOMOTIVE INDUSTRY



ELECTROMECHANICAL ELECTRICAL ENGINEERING - ELECTRONIC



HEALTH



PACKAGING

Modular elements for industrialization

elcom

LA LIBERTÉ DE CONCEVOIR

www.elcom-automation.com

Head-office/plants elcom SAS

1 rue Isaac Asimov
ZAC de la Maladière
38300 Bourgoin-Jallieu
Phone: (+33) 4 74 43 99 61
Fax: (+33) 4 74 28 59 02
e-mail : elcom@elcom.fr
www.elcom.fr



elcom Deutschland GmbH

Winkelsweg 178-180
40764 Langenfeld
Germany
Phone: 0 21 73 - 27 57-3 00
Fax: 0 21 73 - 27 57-3 01
info@elcom.automation.de
www.elcom-automation.de

Global representations

Europe	North America
Asia	South America
Australia	

www.elcom-automation.com