



**KDS SCREWDRIVERS**

**Torque range: 0.1 - 70 Nm**

# **OPERATOR MANUAL**



## IDENTIFICATION DATA OF THE MANUFACTURER

KOLVER S.r.l.  
VIA M. CORNER, 19/21  
36016 THIENE (VI) ITALIA

## TECHNICAL DATA OF THE PRODUCT

DIMENSIONS: 254 x 40 mm  
WEIGHT: 0,7 Kg  
VOLTAGE: 40V DC  
POWER: 600W  
NOISE LEVEL: < 70 dB(A)  
VIBRATION LEVEL: < 2.5 m/s<sup>2</sup>

## DECLARATION OF CONFORMITY



KOLVER S.r.l. declares that the new tool here described: screwdrivers KDS series (see table) are in conformity with the following standards and other normative documents:

2006/42/CE, LVD 2014/35/UE, EMCD 2014/30/UE, EN 62841-2-2:2014, EN 62841-1: 2015, EN 60204-1, EN 61000-6-2, EN 61000-6-4.

It is also in conformity with RoHS III normative (2011/65/UE and following 2015/863).

Name: Giovanni Colasante

Position: CEO

Person authorized to compile the technical file in Kolver

Thiene, January 1st 2022

*Giovanni Colasante*

### IDENTIFICATION DATA OF THE PRODUCT

Code	Model	Torque (Nm)	Speed (rpm)	
			Min	Max
175015	KDS-MT1.5	0.1 - 1.5	50	850
175015/ESD	KDS-MT1.5/ESD	0.1 - 1.5	50	850
175016/ESD	KDS-MT1.5P	0.1 - 1.5	50	850
175016/U/ESD	KDS-MT1.5P/U	0.1 - 1.5	50	850
175115	KDS-MT1.5CA	0.1 - 1.5	50	850
175115/FN	KDS-MT1.5CA/FN	0.1 - 1.5	50	850
175015/A	KDS-MT1.5ANG	0.1 - 1.5	50	850
135006	KDS-PL6	0.5 - 6	50	850
135006/ESD	KDS-PL6	0.5 - 6	50	850
135007/ESD	KDS-PL6P	0.5 - 6	50	850
135007/U/ESD	KDS-PL6P/U	0.5 - 6	50	850
135106	KDS-PL6CA	0.5 - 6	50	850
135106/FN	KDS-PL6CA/FN	0.5 - 6	50	850
135006/A/ESD	KDS-PL6ANG	0.5 - 5.5	50	850
135010	KDS-PL10	0.8 - 10	50	600
135010/ESD	KDS-PL10	0.8 - 10	50	600
135011/ESD	KDS-PL10P	0.8 - 10	50	600
135011/U/ESD	KDS-PL10P/U	0.8 - 10	50	600
135110	KDS-PL10CA	0.8 - 10	50	600
135110/FN	KDS-PL10CA/FN	0.8 - 10	50	600
135010/A/ESD	KDS-PL10ANG	0.8 - 9	50	600
135015	KDS-PL15	0.5 - 15	50	320
135015/ESD	KDS-PL15	0.5 - 15	50	320
135016/ESD	KDS-PL15P	0.5 - 15	50	320
135016/U/ESD	KDS-PL15P/U	0.5 - 15	50	320
135115	KDS-PL15CA	0.5 - 15	50	320
135115/FN	KDS-PL15CA/FN	0.5 - 15	50	320
135015/A/ESD	KDS-PL15ANG	0.5 - 12	50	320
135020	KDS-PL20	2 - 20	20	210
135120	KDS-PL20CA	2 - 20	20	210
135120/FN	KDS-PL20CA/FN	2 - 20	20	210
135030/ANG	KDS-PL30ANG	3 - 30	20	140
135035	KDS-PL35	3 - 35	20	140
135135	KDS-PL35CA	3 - 35	20	140
135135/FN	KDS-PL35CA/FN	3 - 35	20	140
135045/ANG	KDS-PL45ANG	4 - 45	20	90
135050	KDS-PL50	5 - 50	20	90
135150	KDS-PL50CA	5 - 50	20	90
135150/FN	KDS-PL50CA/FN	5 - 50	20	90
135070/ANG	KDS-PL70ANG	7 - 70	20	50

## **DECLARATION OF USE**

Screwdriver (class I) suitable for industrial environment only. It shall be used for tightening. No other use will be permitted. For professional use only.

**WARNING:** To reduce the risk of injury, before using or servicing screwdriver, read and understand the following information as well as separately provided safety instructions (item code: 0MS000). The features and descriptions of our products are subject to change without prior notice.

### **DECLARATION OF NOISE AND VIBRATION EMISSION**

NOISE LEVEL: < 70 dB(A)

VIBRATION LEVEL: < 2.5 m/s<sup>2</sup>

These declared values were obtained by laboratory type testing in compliance with the stated standards and are not adequate for use in risk assessments. Values measured in individual work places may be higher than the declared values. The actual exposure values and risk of harm experienced by an individual user are unique and depend upon the way the user works, the work piece and the workstation design, as well as upon the exposure time and the physical condition of the user. We, KOLVER, cannot be held liable for the consequences of using the declared values, instead of values reflecting the actual exposure, in an individual risk assessment in a work place situation over which we have no control.

### **OPERATING MODE**

The screwdriver can be manual or used as fixed spindle on an automatic machine.

### **CONTROL UNIT**

Power source by KDU 1 series, depending on the model.

### **MAINTENANCE INSTRUCTIONS**

Maintenance should be performed by qualified personnel only.

- Prior to any maintenance task: disconnect the screwdriver.
- When disassembling / reassembling the screwdriver, take the following precautions:
  - Check that the controller is switched off.
  - Disconnect the cable.

According to Directive 2012/19/EU concerning Waste Electrical and Electronic Equipment (WEEE), this product must be recycled.

## TABLE OF CONTENTS

DECLARATION OF USE .....	4
TABLE OF CONTENTS .....	5
INSTALLATION OF KDS SCREWDRIVER.....	8
Cable connection and part numbers .....	8
OPERATING THE KDS SCREWDRIVER .....	9
(1) Lever .....	9
(2) Reverse button.....	9
(3) LED.....	9
(4) Reaction arm connections .....	10
(5) Hanging hook.....	10
(6) Female connector .....	10
SCREWDRIVER VARIANTS AND ACCESSORIES .....	11
Pistol screwdrivers.....	11
Pistol screwdriver holder Cod 010175 .....	13
Fixing plate for UR Robot KDS xxCA Cod 010695/UR .....	14
Fixing plate for UR Robot KDS xxCA/FN (with flange max diameter 37mm) Cod 010695/URN .....	14
Suction heads.....	15
KDS PL 20 – 35 - 50 .....	15
Reaction arm connection and fixing holes .....	15
Hand version .....	16
/CA version .....	17
Angle head screwdrivers KDS PL 6-10 ANG.....	17
Hand version .....	17
/CA version .....	18
Angle head screwdrivers KDS PL 15 ANG.....	18
Hand version .....	18
/CA version .....	19
Angle head screwdrivers KDS PL 30-45-70 ANG .....	19
EXPLODED VIEW KDS-PLxx:.....	21
SPARE PARTS KDS-PLxx: .....	22
EXPLODED VIEW KDS-PLxxP: .....	23

SPARE PARTS KDS-PLxxP:.....	24
EXPLODED VIEW KDS-PLxxCA:.....	25
SPARE PARTS KDS-PLxxCA: .....	26
EXPLODED VIEW KDS-PLxxCA/FN:.....	27
SPARE PARTS KDS-PLxxCA/FN: .....	28
EXPLODED VIEW KDS-MT1.5: .....	29
SPARE PARTS KDS-MT1.5:.....	30
EXPLODED VIEW KDS-MT1.5P: .....	31
SPARE PARTS KDS-MT1.5P: .....	32
EXPLODED VIEW KDS-MT1.5CA: .....	33
SPARE PARTS KDS-MT1.5CA:.....	33
EXPLODED VIEW KDS-MT1.5CA/FN:.....	34
SPARE PARTS KDS-MT1.5CA/FN: .....	35
EXPLODED VIEW KDS-PL20:.....	36
SPARE PARTS KDS-PL20: .....	37
EXPLODED VIEW KDS-PL20CA:.....	38
SPARE PARTS KDS-PL20CA: .....	39
EXPLODED VIEW KDS-PL20CA/FN:.....	40
SPARE PARTS KDS-PL20CA/FN: .....	41
EXPLODED VIEW KDS-PL35:.....	42
SPARE PARTS KDS-PL35: .....	43
EXPLODED VIEW KDS-PL35CA:.....	44
SPARE PARTS KDS-PL35CA: .....	45
EXPLODED VIEW KDS-PL35CA/FN:.....	46
SPARE PARTS KDS-PL35CA/FN: .....	47
EXPLODED VIEW KDS-PL50:.....	48
SPARE PARTS KDS-PL50: .....	49
EXPLODED VIEW KDS-PL50CA:.....	50
SPARE PARTS KDS-PL50CA: .....	51
EXPLODED VIEW KDS-PL50CA/FN:.....	52
SPARE PARTS KDS-PL50CA/FN: .....	53
EXPLODED VIEW KDS-PL30ANG:.....	54
SPARE PARTS KDS-PL30ANG:.....	55

EXPLODED VIEW KDS-PL45ANG: .....	56
SPARE PARTS KDS-PL45ANG:.....	57
EXPLODED VIEW KDS-PL70ANG: .....	58
EXPLODED VIEW KDS-PL70ANG: .....	59
GUARANTEE.....	60

## INSTALLATION OF KDS SCREWDRIVER

### Cable connection and part numbers

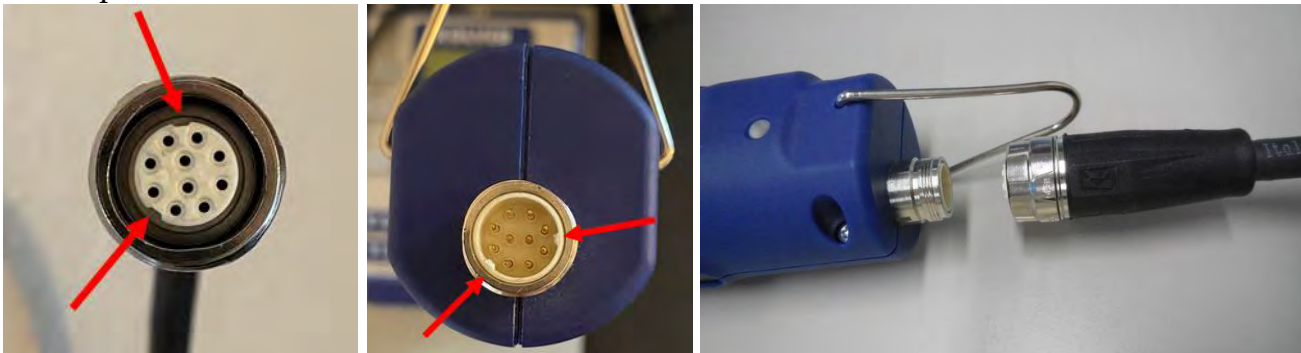
The KDS screwdriver series require one of the following cables:

- 2.5m male/female cable (code 250064)
- 2.5m male/female cable with strain relief (code 250064/H)
- 5.0m male/female cable (code 250564)
- 5.0m male/female cable with strain relief (code 250564/H)



To connect the screwdriver to the unit:

1. insert the male connector into the appropriate TOOL connector on the bottom of the unit, taking care to respect the alignment tabs. Push the connector into its position and turn the OPEN/CLOSE nut\* clockwise.
2. insert the female connector into the appropriate connector at the top of the screwdriver, taking care to respect the alignment tabs. Push the connector into its position and turn the OPEN/CLOSE nut\* clockwise.



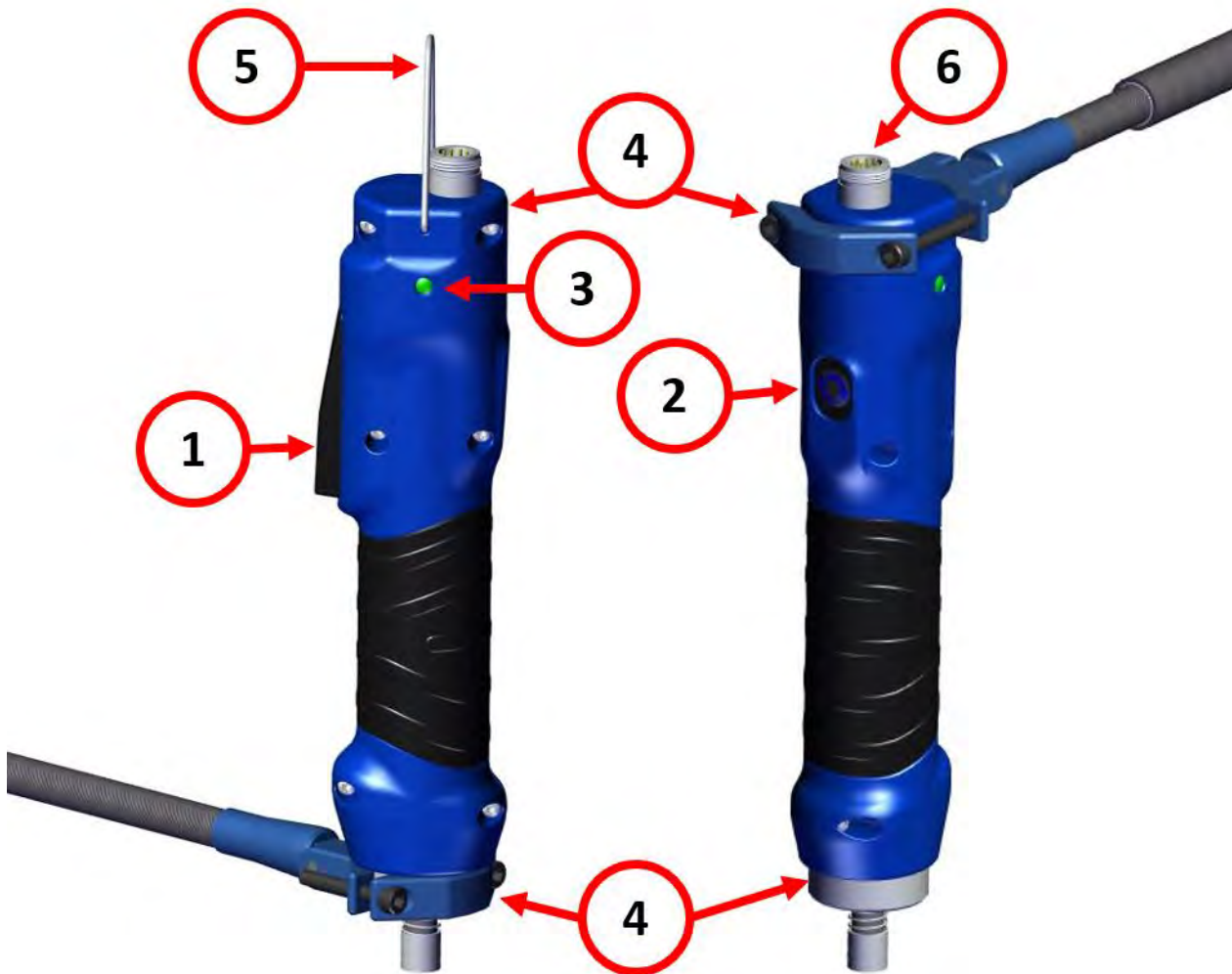
To disconnect the cable:

1. lightly push the connector in towards the screwdriver (or the unit)
2. turn the OPEN/CLOSE nut\* counterclockwise
3. pull the connector out

\*note: some models use a threaded nut instead of an OPEN/CLOSE nut. In this case, tighten the nut all the way until it stops, without overtightening with excessive force.



## OPERATING THE KDS SCREWDRIVER



### (1) Lever

Press and hold the lever to initiate a rundown.

The screwdriver will automatically stop according to the configured program, in either an OK or a NOK state, depending on the success of the rundown.

The screwdriver will also stop if the lever is released in the middle of the rundown, and either return to the READY state or raise the NOK state if the LEVER ERROR option is active for the current program (Programs menu > Other > LEVER ERROR).

### (2) Reverse button

Press and hold the button to initiate a defix run, rotating in the opposite direction of the selected direction of rotation for the lever (see Programs menu > Other > ROTATION).

The behavior of the reverse button can be changed from the general settings menu (General Settings > REVERSE BUTTON).

### (3) LED

The two LEDs indicate the state of the screwdriver:

●	Blinking white: the screwdriver was just connected to the K-Ducer control unit
●	Off: the screwdriver is ready, or the screwdriver is not connected
●	Solid green: the last screw result was OK
●	Solid red: the last screw result was NOK
●	Solid blue: screwdriver is running in the tightening direction, either via the lever or via remote control
●	Solid purple: the screwdriver is running in the de-fix direction, either via the reverse button, or via remote control
●	Blinking purple: the reverse button is in switch mode and is activated. The screwdriver is ready to run in de-fix rotation via the main lever.

#### (4) Reaction arm connections

Fix the reaction arm to one these areas only, and never anywhere else on the screwdriver. Kolver recommends using a reaction arm for operator comfort, especially for applications with torques above 5 Nm.

The KDS series screwdriver has two positions designed for connecting to the reaction arm:

1. The naked metal cylinder near the head of the screwdriver
2. The reinforced plastic section at the very top of the screwdriver
  - **NOT** present on KDS-PL20-35-50
  - **NOT** present on the the pistol-shaped versions

**Warning:** do not connect the reaction arm anywhere other than the above designated areas. Fixing the reaction arm to the middle of the screwdriver handle will squeeze the screwdriver shell, causing damage to the internal components, and failing to absorb the torque reaction safely and reliably.

#### (5) Hanging hook

To hang the screwdriver somewhere easily accessible in the operator's workbench.

#### (6) Female connector

To connect the screwdriver to the K-Ducer control unit

## SCREWDRIVER VARIANTS AND ACCESSORIES

### Pistol screwdrivers

Reaction arm connection:



START / REVERSE button and LEDs are on the back of the screwdriver:



Status LED also found front facing on the top of the screwdriver:



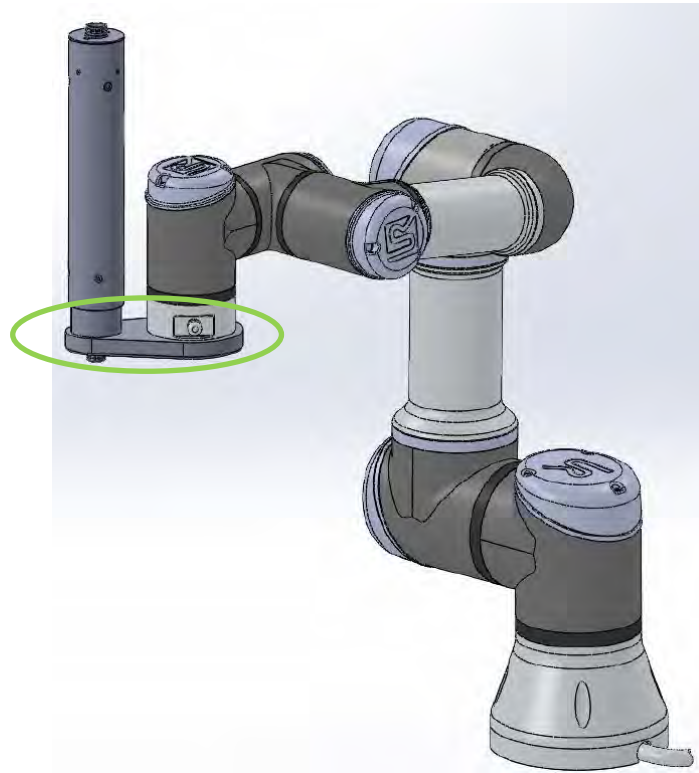
Pistol screwdrivers can be purchased with either bottom or top mounted female cable connector:



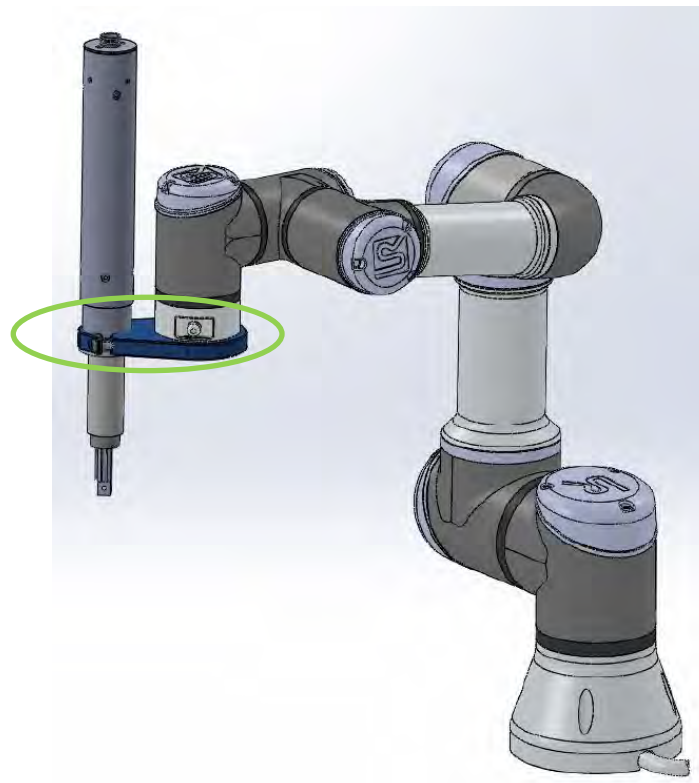
## Pistol screwdriver holder Cod 010175



## Fixing plate for UR Robot KDS xxCA Cod 010695/UR



## Fixing plate for UR Robot KDS xxCA/FN (with flange max diameter 37mm) Cod 010695/URN



## Suction heads

Code	Description
010119	ASP HD8 SUCTION HEAD MITO
010119/UNI	ASP HD8 SUCTION HEAD MITO WITH TUBE
010121	ASP HD9 SUCTION HEAD PLUTO
010121/UNI	ASP HD9/UNI SUCTION HEAD PLUTO WITH TUBE

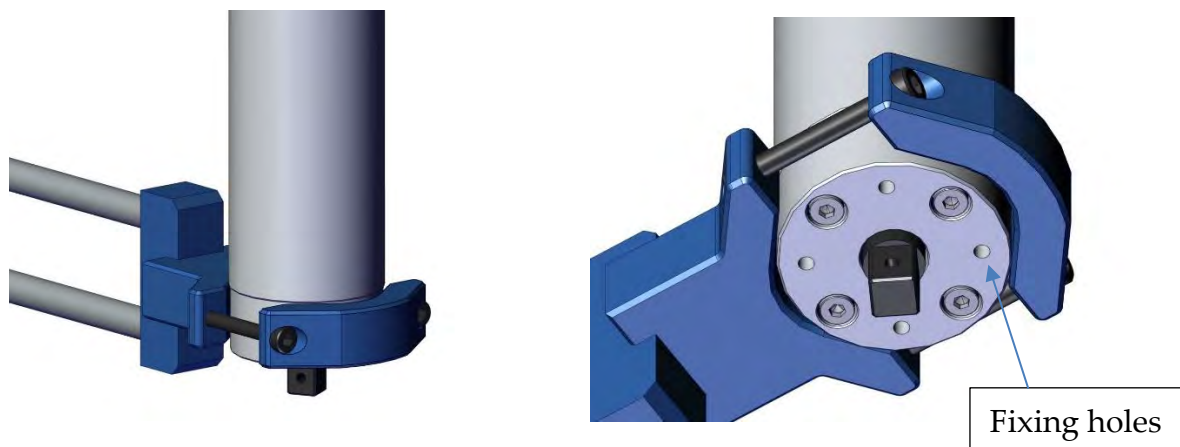


## KDS PL 20 – 35 - 50

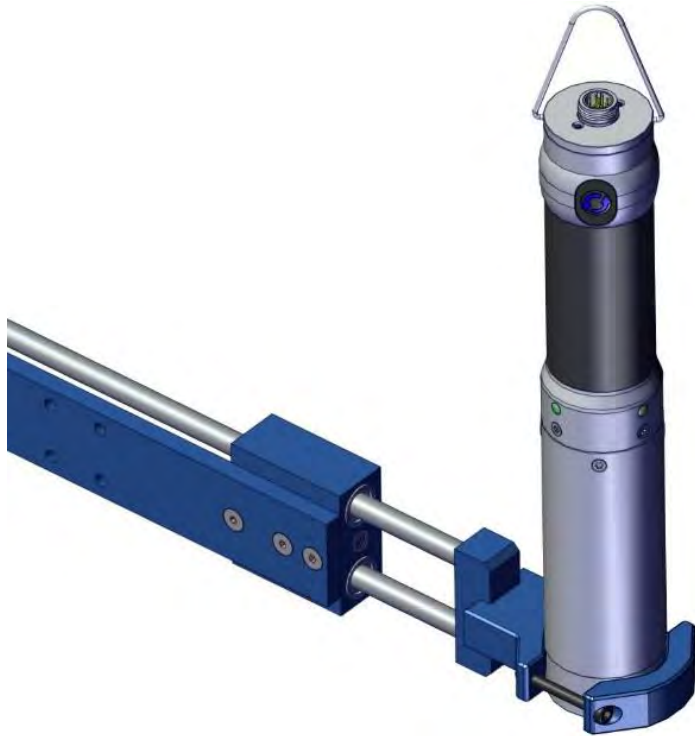
### Reaction arm connection and fixing holes

Reaction arm connection is ONLY available at the head of the screwdriver

Additional M5 fixing holes for custom fixing plates are available at the head of the screwdriver:



## Hand version



START / REVERSE buttons are at the top of the screwdriver:





/CA version



## Angle head screwdrivers KDS PL 6-10 ANG

Hand version



/CA version



Angle head screwdrivers KDS PL 15 ANG

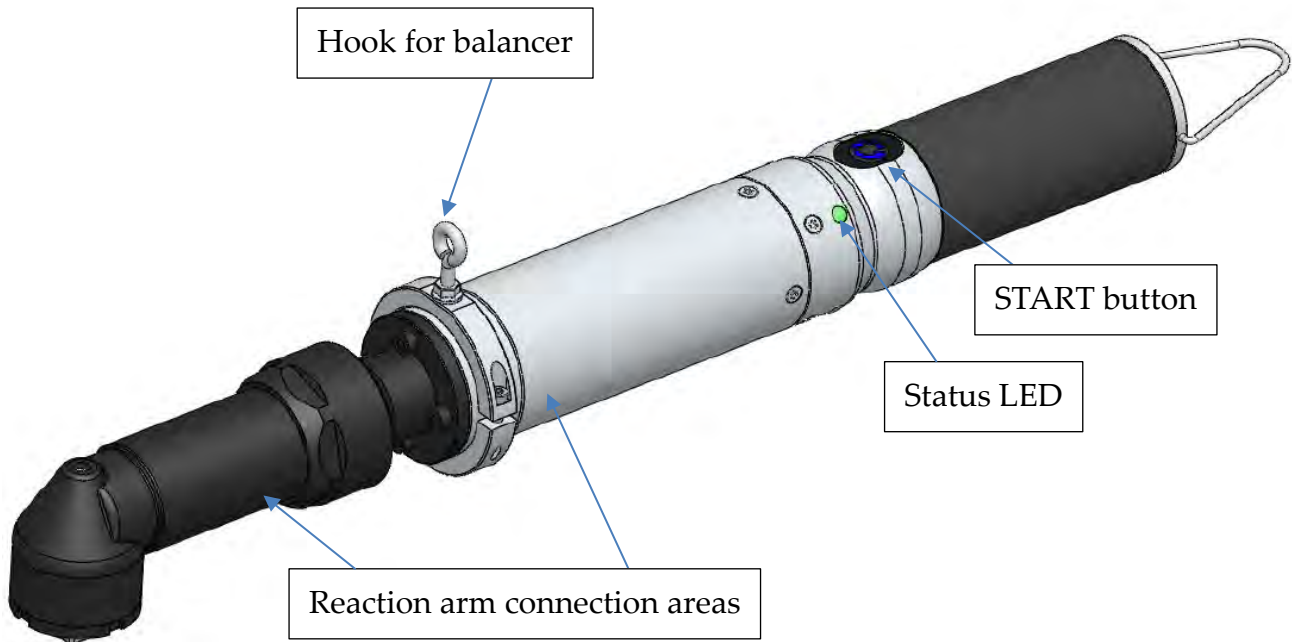
Hand version

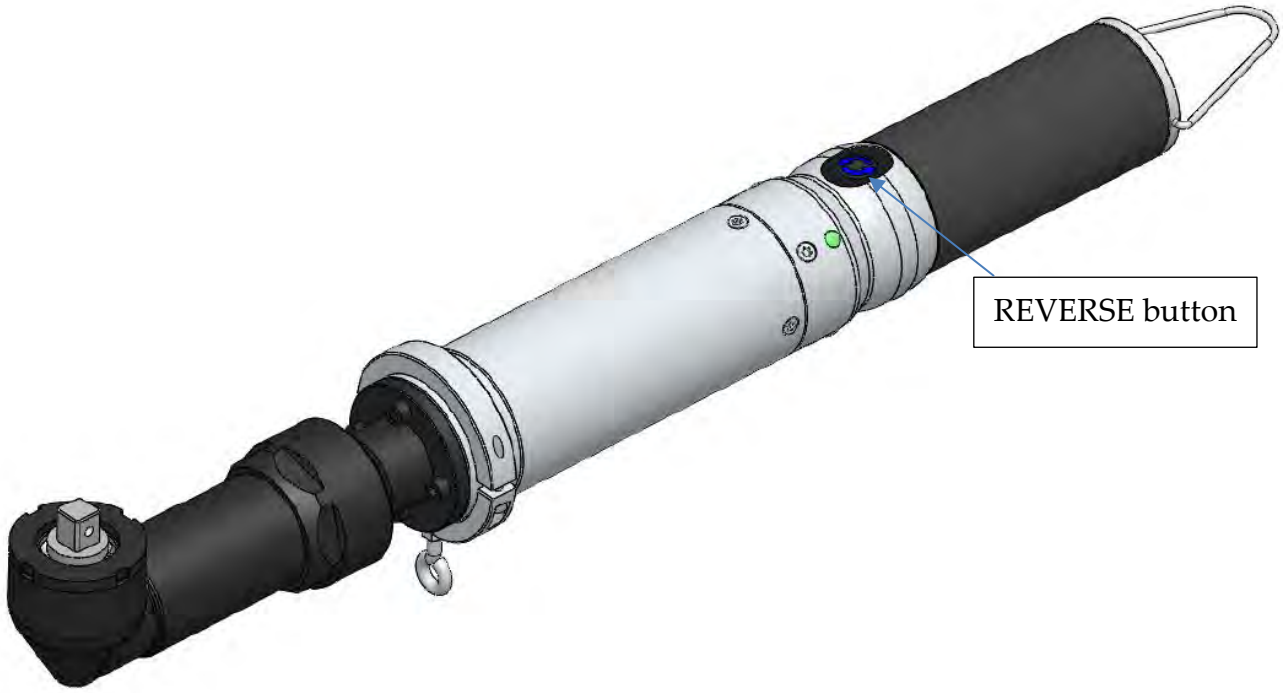


/CA version

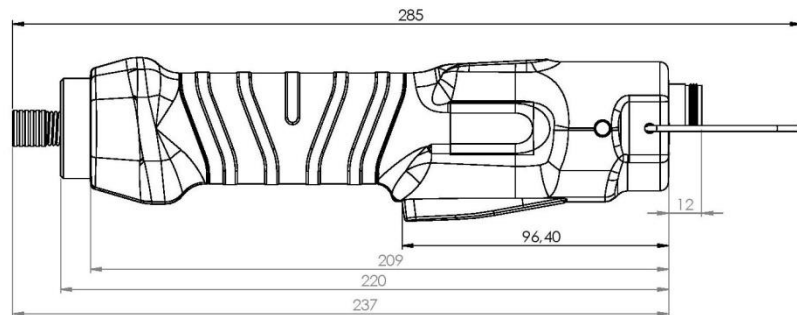
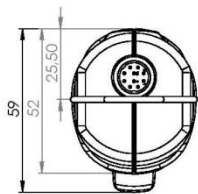
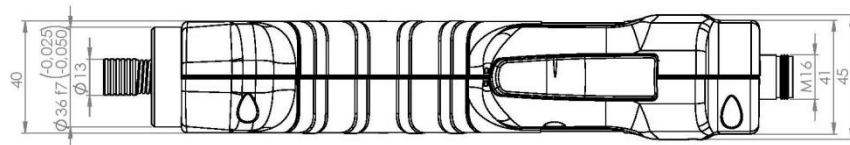
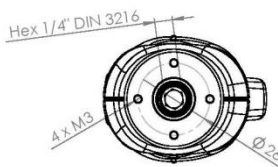
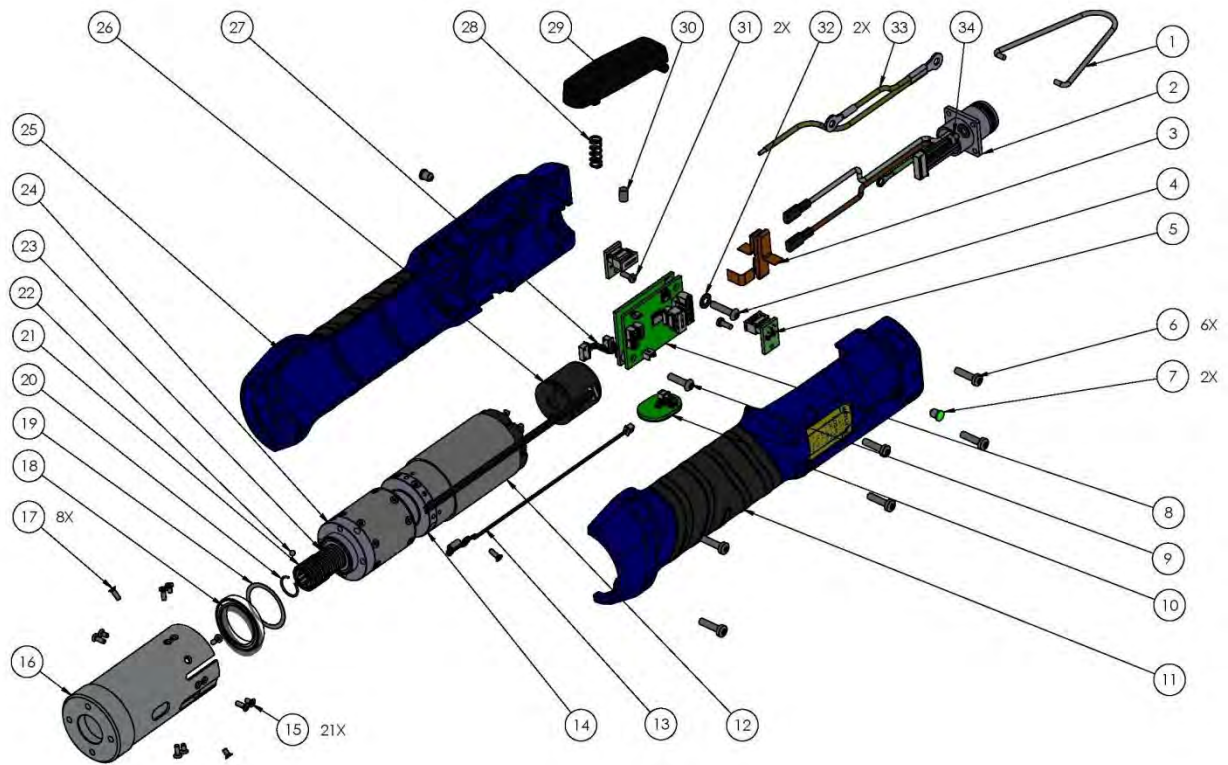


### Angle head screwdrivers KDS PL 30-45-70 ANG





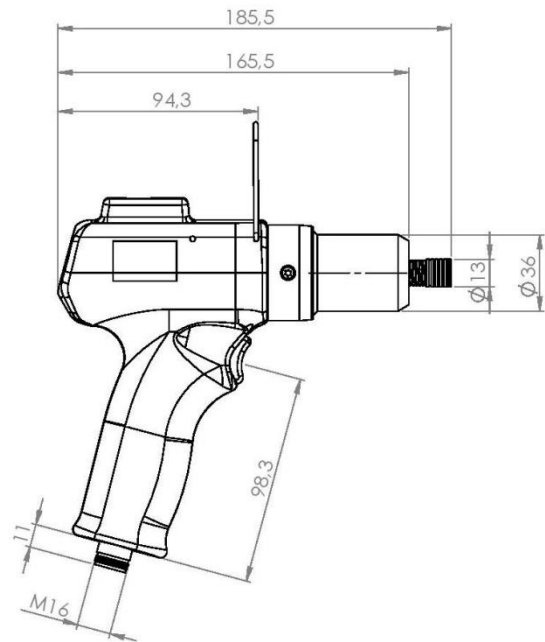
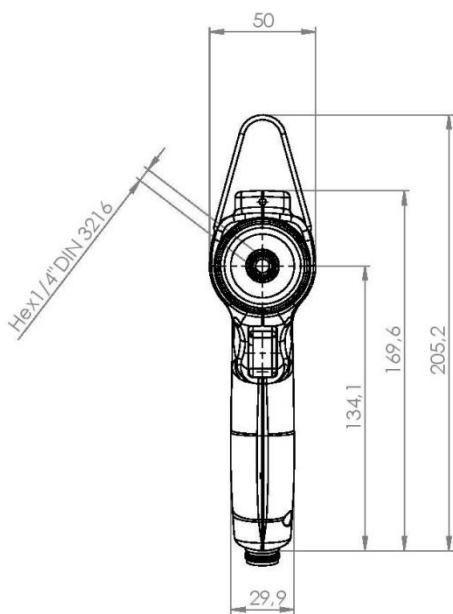
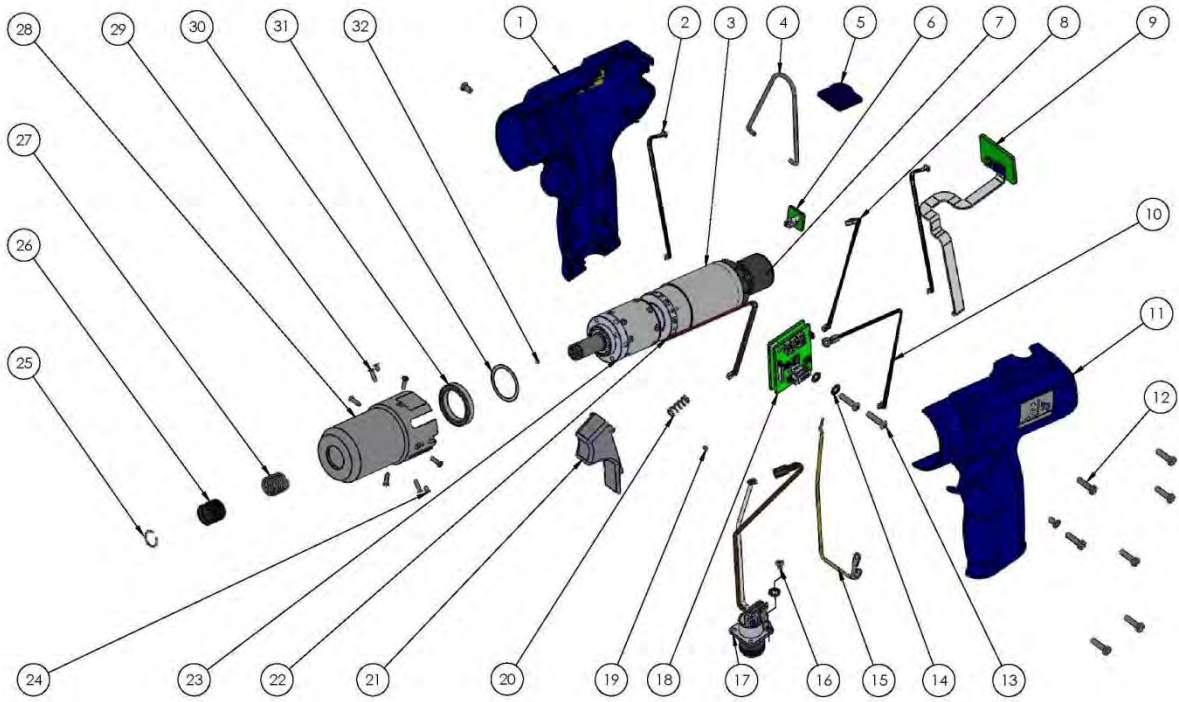
# EXPLODED VIEW KDS-PLxx:



## SPARE PARTS KDS-PLxx:

Pos.	Description	Qty	Code
1	HOOK	1	200060
2	MALE CONNECTOR M16 10 PIN	1	201667
3	PCB FLEX – LED BOARD	1	852537
4	SCREW ZN M3X12 TX10	1	231545
5	LED BOARD KDS/D	1	852535
6	SCREW ZN M3X12 TX10	6	231541
7	LED KDS-XX/D	2	231553
8	BOARD	1	852528
9	SCREW M3X12 ZN TX10	1	231547
10	REVERSE BUTTON	1	231535
11	HOUSING KDS-XX/D	1	231551
	HOUSING ESD KDS-XX/D	1	231551/ESD
12	MOTOR KDS-6x	1	231509/L
	MOTOR KDS-10x	1	231509/L
	MOTOR KDS-15x	1	231509/15L
13	SENSOR	1	231534
14	TRANSDUCER	1	231522/E
15	SCREW TSP M2X4 TX6 ZN	21	231531
16	MOTOR SEAT	1	234505/TD
17	SCREW TSP M2X6 TX6 ZN	8	231527
18	BEARING	1	231533
19	WASHER	1	231532
20	RING	1	200007
21	RING	1	230020/1
22	BALL 2.5MM	1	219817
23	SPRING	1	230021
24	REDUCTION GEARS KDS-6x	1	231510/6D
	REDUCTION GEARS KDS-10x	1	231510/10D
	REDUCTION GEARS KDS-15x	1	231510/15D
25	HOUSING KDS-XX/D	1	231550
	HOUSING ESD KDS-XX/D	1	231550/ESD
26	ENCODER	1	231528
27	ENCODER WIRING	1	231536
28	LEVER SPRING	1	221061
29	LEVER	1	231552
	LEVER ESD	1	231552/ESD
30	MAGNET KDS-XX/D	1	231540
31	SCREW M2,2X6 TX6	2	231538
32	WASHER	1	800041
33	GROUND WIRING	1	231546
34	SCREW M2,5X4 TX8 ZN	1	872487
	LABEL	1	800199
	LABEL ESD	1	800199/ESD

## EXPLODED VIEW KDS-PLxxP:

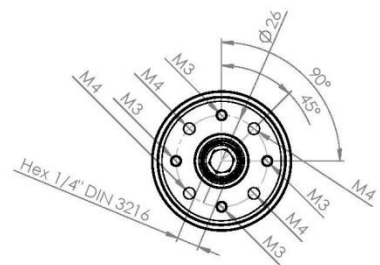
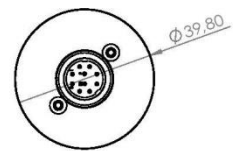
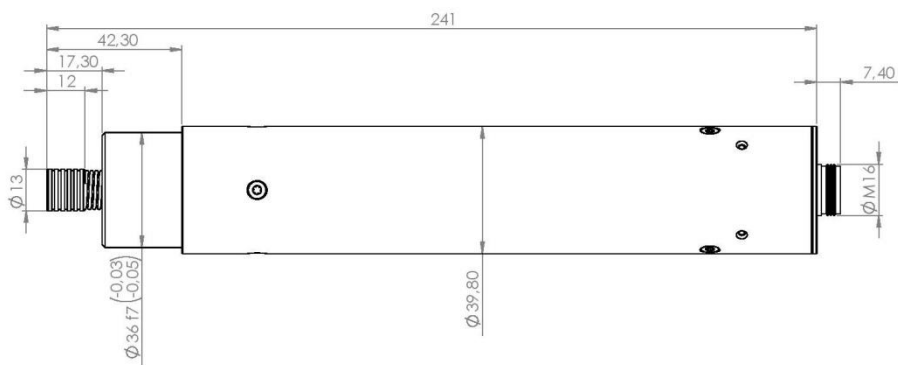
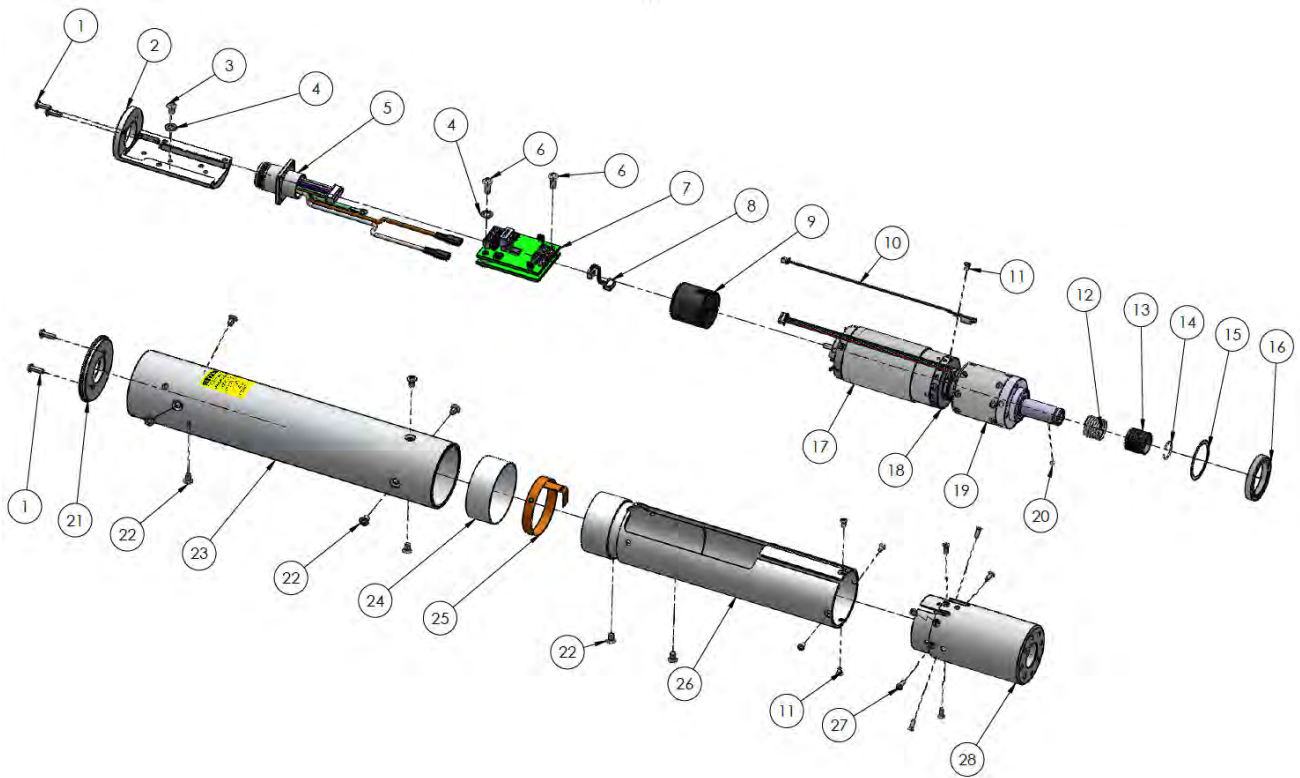


## SPARE PARTS KDS-PLxxP:

Pos.	Description	Qty	Code
1	HOUSING KDS-XX/P	1	231560
	HOUSING KDS-XX/P-ESD	1	231560/ESD
2	PICOBLADE	2	231557
3	MOTOR KDS-6x	1	231509/L
	MOTOR KDS-10x	1	231509/L
	MOTOR KDS-15x	1	231509/15L
4	HOOK	1	200060
5	CONNECTOR COVER KDS-XX/P	1	231562
	CONNECTOR COVER KDS-XX/P-ESD	1	231562/ESD
6	WHITE LED BOARD KDSXX/P	1	852538
7	ENCODER	1	231528
8	ENCODER WIRING (KDS-PLxxP)	1	231536/L
9	REVERSE SWITCH + LED KDS-PLxxP	1	231535/P
10	SENSOR	1	231534
11	HOUSING KDS-XX/P	1	231561
	HOUSING KDS-XX/P-ESD	1	231561/ESD
12	SCREW ZN M3X10 TX10	7	231539
13	SCREW M3X12 ZN TX10	2	231547
14	WASHER M3	2	800041
15	GROUND WIRING KDS-P	1	231546/P
	GROUND WIRING KDS-PU	1	231546/PU
16	SCREW M2,5X6 TX8 ZN TX8	1	872487
17	MALE CONNECTOR M16 10 PIN	1	201667/P
	MALE CONNECTOR M16 10 PIN	1	201667/PU
18	BOARD KDS-P	1	852528/P
19	MAGNET	1	231540/P
20	SPRING LEVER	1	221061
21	LEVER KDS-XX/P	1	231563
	LEVER KDS-XX/P-ESD	1	231563/ESD
22	TRANSDUCER	1	231522/E
23	REDUCTION GEARS KDS-6x	1	231510/6D
	REDUCTION GEARS KDS-10x	1	231510/10D
	REDUCTION GEARS KDS-15x	1	231510/15D
24	SCREW TSP M2X4 TX6 ZN	18	231531
25	RING	1	200007
26	RING	1	230020/1
27	SPRING	1	230021
28	MOTOR SEAT KDS-PLxxP	1	234505/TP
29	SCREW TSP M2X8 TX6 ZN	8	231554
30	BEARING	1	231533
31	WASHER	1	231532
32	BALL 2.5MM	1	219817
33	SCREW TSP M3X5 TX10 ZN	2	801003
	LABEL	1	800199
	LABEL ESD	1	800199/ESD



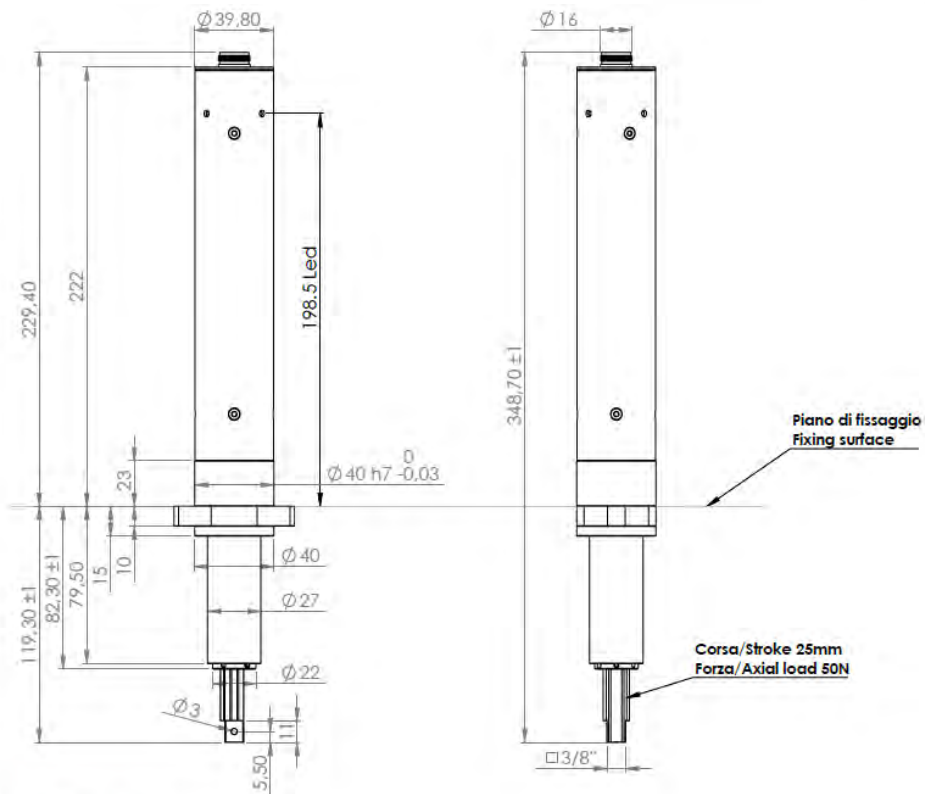
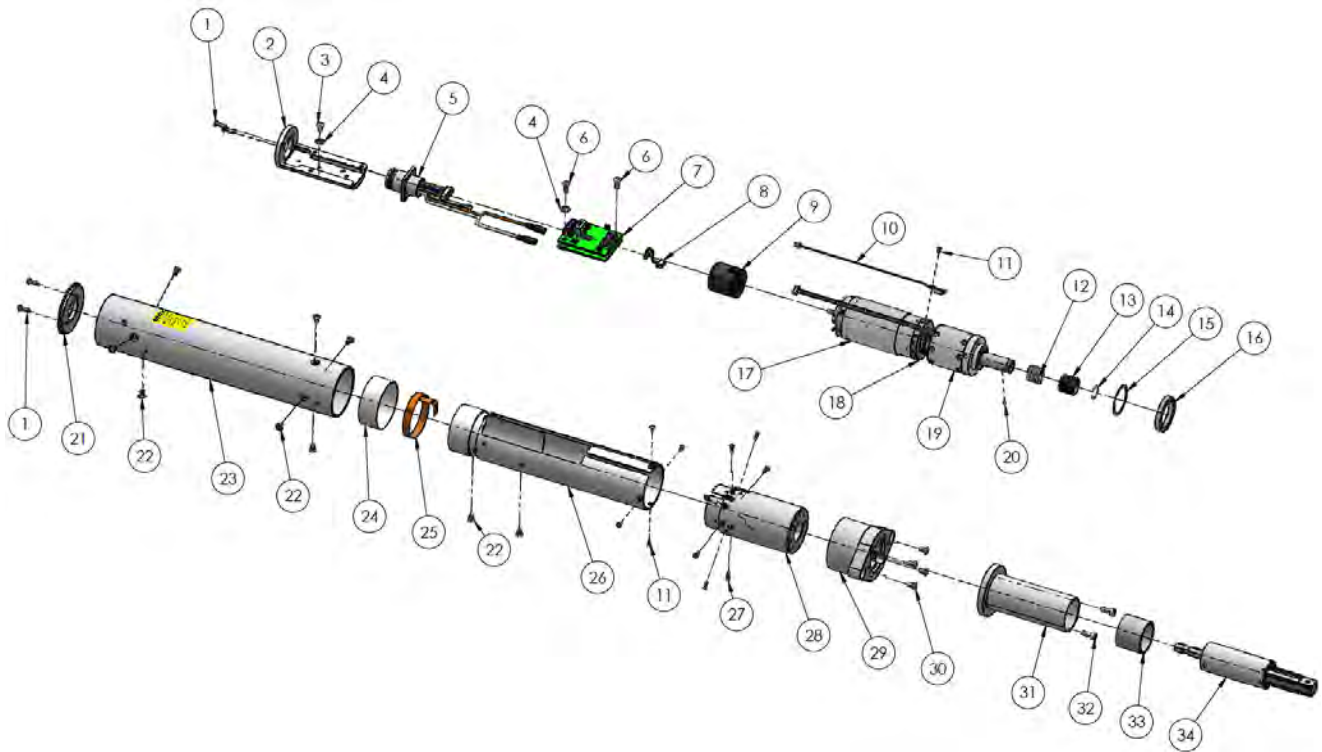
# EXPLODED VIEW KDS-PLxxCA:



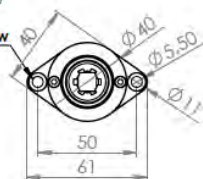
## SPARE PARTS KDS-PLxxCA:

Pos.	Description	Qty	Code
1	SCREW M2,5X8 TX8 ZN	4	872478
2	BOARD SUPPORT	1	231523
3	SCREW M3X5	1	872444
4	WASHER	2	800041
5	MALE CONNECTOR M16 10 PIN	1	201667
6	SCREW M3X12 ZN TX10	2	231547
7	BOARD	1	852528
8	ENCODER WIRING	1	231536
9	ENCODER	1	231528
10	TEMPERATURE SENSOR	1	231534
11	M2X4MM TX6	5	231531
12	SPRING	1	230021
13	RING	1	230020/1
14	RING	1	200007
15	WASHER	1	231532
16	BEARING	1	231533
17	MOTOR KDS-6x	1	231509/L
	MOTOR KDS-10x		231509/L
	MOTOR KDS-15x		231509/15L
18	TRANSDUCER	1	231522/E
19	REDUCTION GEAR KDS-PL6X	1	231510/6D
	REDUCTION GEAR KDS-PL10X		231510/10D
	REDUCTION GEAR KDS-PL15X		231510/15D
20	BALL 2,5 MM	1	219817
21	COVER KDS-XXCA	1	231526
22	SCREW M3X5 TX10	9	801003
23	ALUMINIUM BODY KDS-XXCA	1	231525
24	LED RING KDS-XXCA	1	231537
25	PCB FLEX LED	1	852531
26	ALUMINIUM BODY (BOARD SUPPORT)	1	231524
27	SCREW M2X6MM TX6	8	231527
28	MOTOR SEAT	1	234505

## EXPLODED VIEW KDS-PLxxCA/FN:



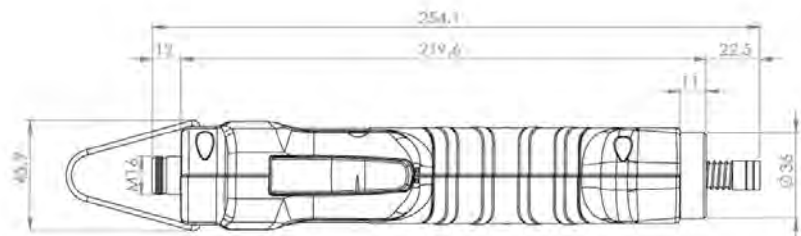
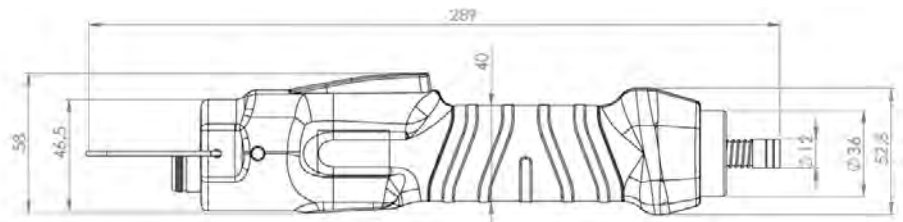
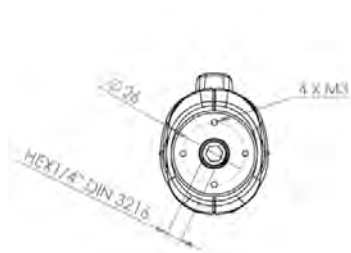
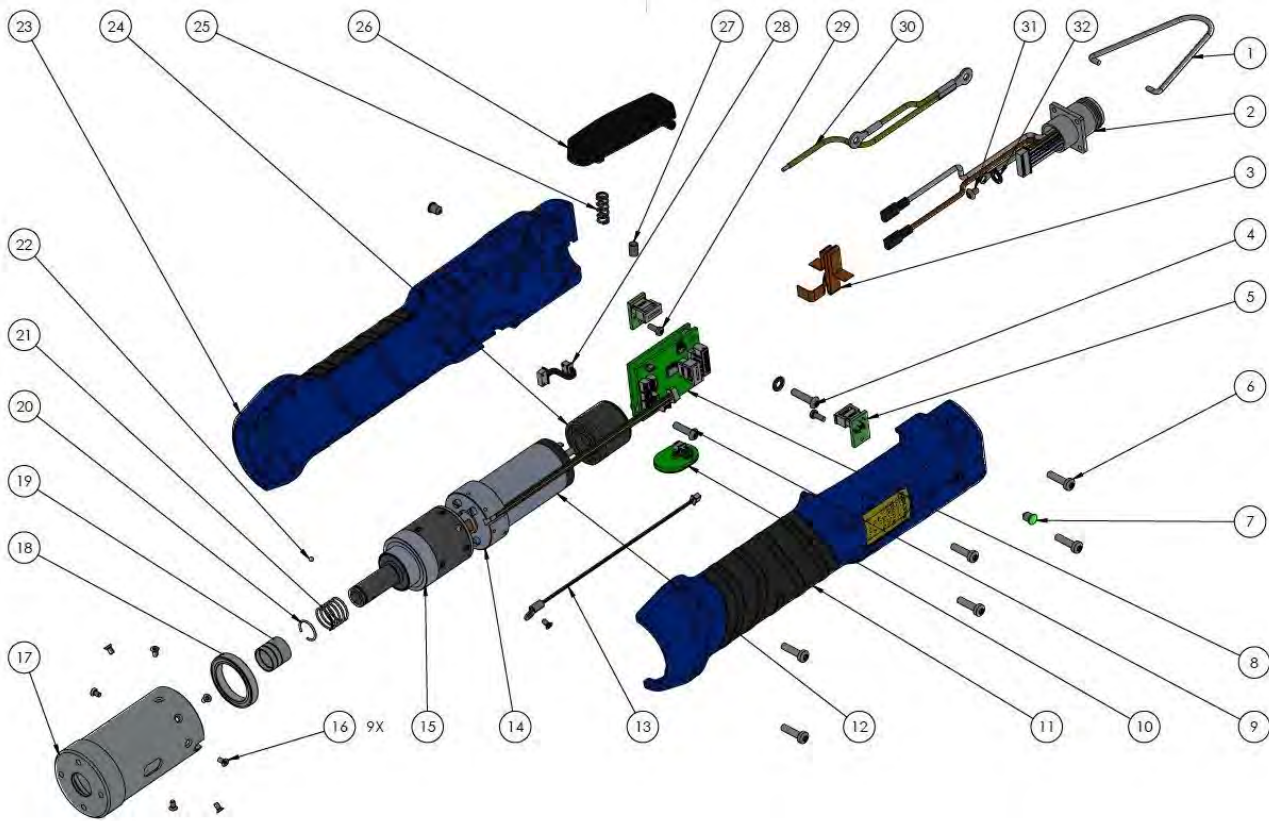
Fissaggio consigliato/  
Recommended fixing  
2 x ISO 4762 M5 screw



## SPARE PARTS KDS-PLxxCA/FN:

Pos.	Description	Qty	Code
1	SCREW M2,5X8 TX8 ZN	4	872478
2	BOARD SUPPORT	1	231523
3	SCREW M3X5	1	872444
4	WASHER	2	800041
5	MALE CONNECTOR M16 10 PIN	1	201667
6	SCREW M3X12 ZN TX10	2	231547
7	BOARD	1	852528
8	ENCODER WIRING	1	231536
9	ENCODER	1	231528
10	TEMPERATURE SENSOR	1	231534
11	M2X4MM TX6	5	231531
12	SPRING	1	230021
13	RING	1	230020/1
14	RING	1	200007
15	WASHER	1	231532
16	BEARING	1	231533
17	MOTOR KDS-6x	1	231509/L
	MOTOR KDS-10x		231509/L
	MOTOR KDS-15x		231509/15L
18	TRANSDUCER	1	231522/E
19	REDUCTION GEAR KDS-PL6X	1	231510/6D
	REDUCTION GEAR KDS-PL10X		231510/10D
	REDUCTION GEAR KDS-PL15X		231510/15D
20	BALL 2,5 MM	1	219817
21	COVER KDS-XXCA	1	231526
22	SCREW M3X5 TX10	9	801003
23	ALUMINIUM BODY KDS-XXCA	1	231525
24	LED RING KDS-XXCA	1	231537
25	PCB FLEX LED	1	852531
26	ALUMINIUM BODY (BOARD SUPPORT)	1	231524
27	SCREW M2X6MM TX6	8	231527
28	MOTOR SEAT	1	234505
29	SUPPORT PLUTO 10FN	1	234547
30	SCREW M4 x 5	1	231502
31	GUIDE	1	234548
32	SCREW M3 X 8	2	240005/ZN
33	SLIDING BEARING	1	800317-1
34	TELESCOPIC SPINDLE 1/4" - 3/8"	1	800320

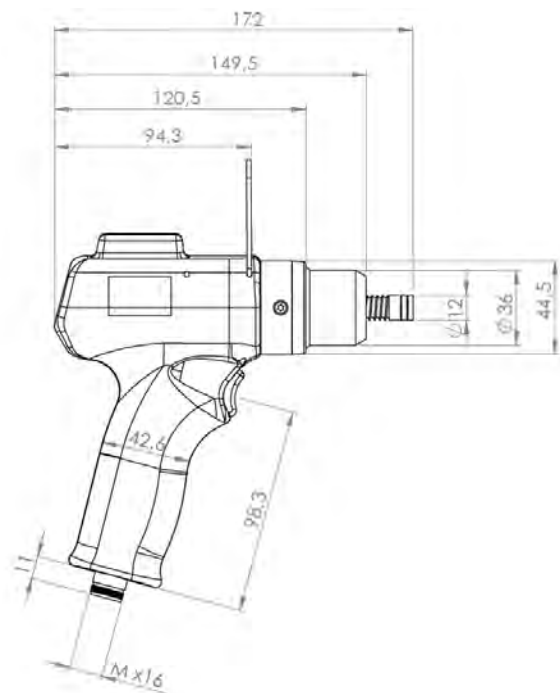
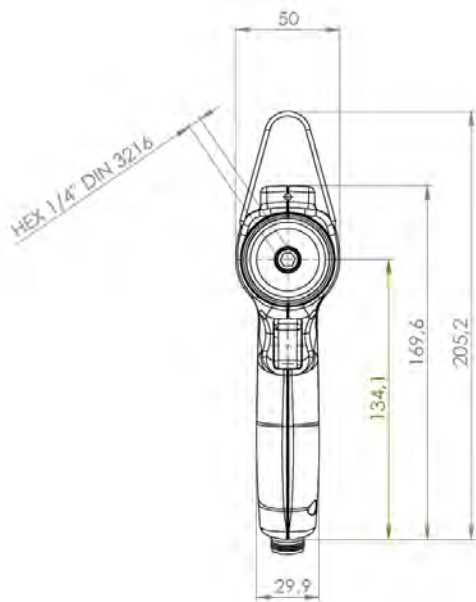
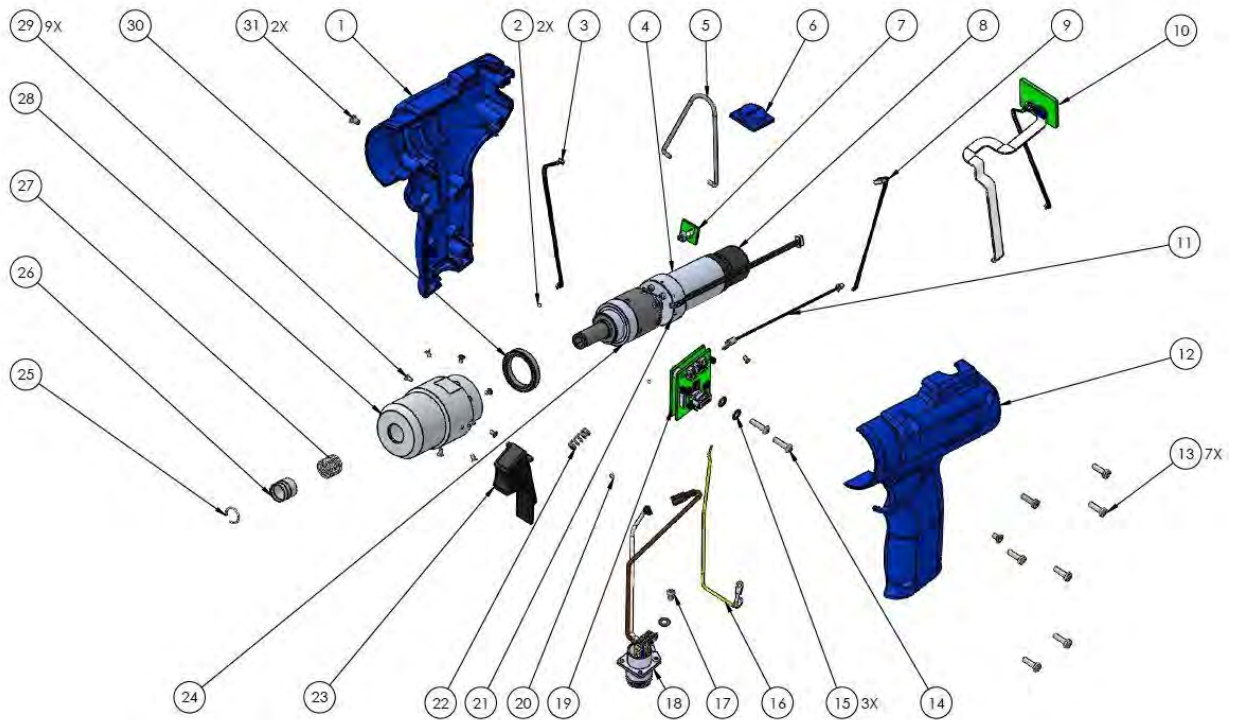
## EXPLODED VIEW KDS-MT1.5:



## SPARE PARTS KDS-MT1.5:

Pos.	Description	Qty	Code
1	HOOK	1	200060
2	MALE CONNECTOR M16 10 PIN	1	201667
3	PCB FLEX – LED BOARD	1	852537
4	SCREW ZN M3X12 TX10	1	231545
5	LED BOARD KDS/D	1	852535
6	SCREW ZN M3X12 TX10	6	231541
7	LED KDS-XX/D	2	231553
8	BOARD	1	852528
9	SCREW M3X12 ZN TX10	1	231547
10	REVERSE BUTTON KDS	1	231535
11	HOUSING KDS-XX/D	1	231551
	HOUSING ESD KDS-XX/D	1	231551/ESD
12	MOTOR KDS-MT1.5	1	231509/2L
13	SENSOR	1	231534
14	TRANSDUCER	1	210050/T
15	REDUCTION GEARS KDS-MT1.5	1	250040/TMT
16	SCREW TSP M2X4 TX6 ZN	3	231531
17	MOTOR SEAT	1	234504/TD
18	BEARING	1	231533
19	RING	1	230020/1
20	RING	1	200007
21	SPRING	1	200009
22	BALL 2 MM	1	200011
23	HOUSING KDS-XX/D	1	231550
	HOUSING ESD KDS-XX/D	1	231550/ESD
24	ENCODER	1	231528
25	LEVER SPRING	1	221061
26	LEVER	1	231552
	LEVER ESD	1	231552/ESD
27	MAGNET KDS-XX/D	1	231540
28	ENCODER WIRING	1	231536
29	SCREW 2,2X6 TX6	1	231538
30	ENCODER WIRING	1	231546
31	SCREW M2,5X4 TX8	1	872487
32	WASHER	2	800041
	LABEL	1	800199
	LABEL ESD	1	800199/ESD

## EXPLODED VIEW KDS-MT1.5P:

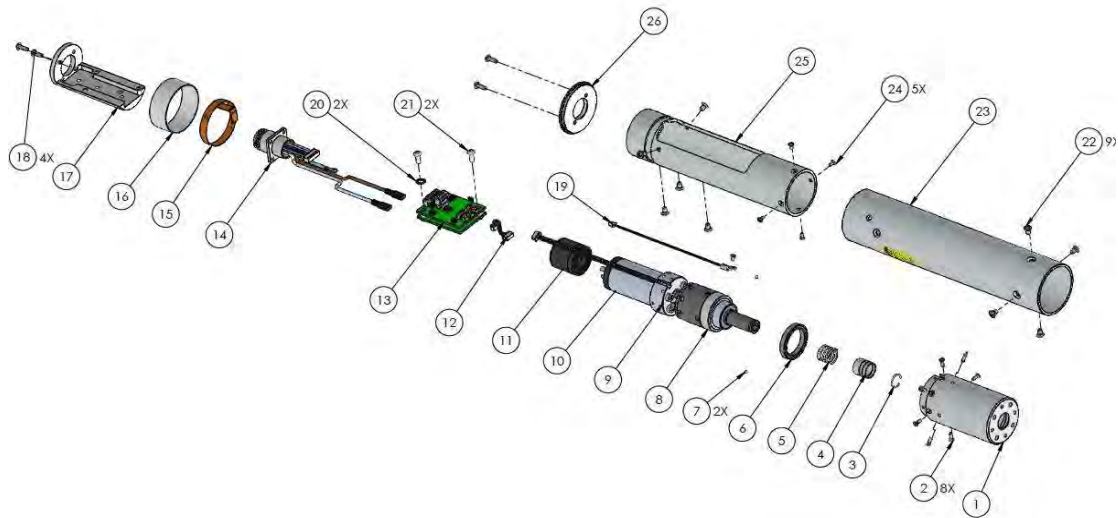


## SPARE PARTS KDS-MT1.5P:

Pos.	Description	Qty	Code
1	HOUSING KDS-XX/P	1	231560
	HOUSING KDS-XX/P-ESD	1	231560/ESD
2	BALL 2 MM	2	200011
3	PICOBLADE	2	231557
4	MOTOR KDS-MT1.5	1	231509/2L
5	HOOK	1	200060
6	CONNECTOR COVER KDS-XX/P	1	231562
	CONNECTOR COVER KDS-XX/P-ESD	1	231562/ESD
7	WHITE LED BOARD KDSXX/P	1	852538
8	ENCODER	1	231528
9	ENCODER WIRING (KDS-PLxxP)	1	231536/L
10	REVERSE SWITCH + LED KDS-PLxxP	1	231535/P
11	SENSOR	1	231534
12	HOUSING KDS-XX/P	1	231561
	HOUSING KDS-XX/P-ESD	1	231561/ESD
13	SCREW ZN M3X10 TX10	7	231539
14	SCREW M3X12 ZN TX10	2	231547
15	WASHER M3	3	800041
16	GROUND WIRING KDS-P	1	231546/P
	GROUND WIRING KDS-PU	1	231546/PU
17	SCREW M2,5X6 TX8 ZN TX8	1	872487
18	MALE CONNECTOR M16 10 PIN	1	201667/P
	MALE CONNECTOR M16 10 PIN	1	201667/PU
19	BOARD KDS-P	1	852528/P
20	MAGNET	1	231540/P
21	TRANSDUCER	1	210050/T
22	SPRING LEVER	1	221061
23	LEVER KDS-XX/P	1	231563
	LEVER KDS-XX/P-ESD	1	231563/ESD
24	REDUCTION GEARS KDS-MT1.5	1	250040/TMT
25	RING	1	200007
26	RING	1	230020/1
27	SPRING	1	230021
28	MOTOR SEAT KDS-MT1.5	1	234505/TPM
29	SCREW TSP M2X8 TX6 ZN	8	231554
30	BEARING	1	231533
31	SCREW M3X5 TX10 ZN	2	801003
	LABEL	1	800199
	LABEL ESD	1	800199/ESD



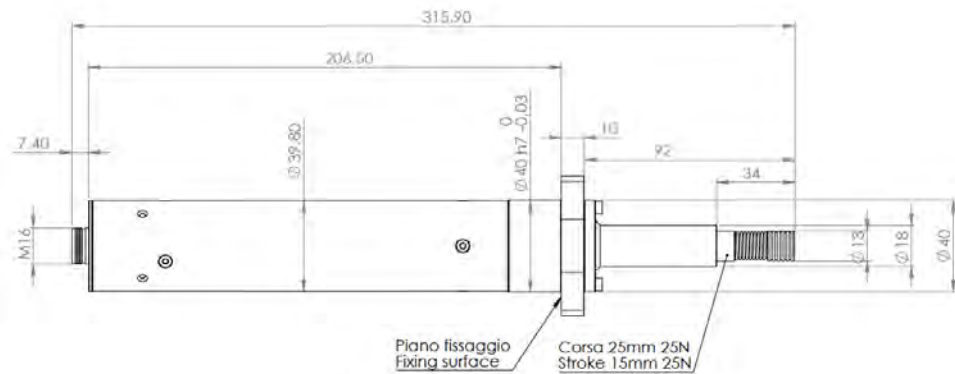
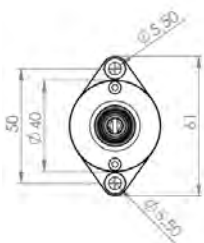
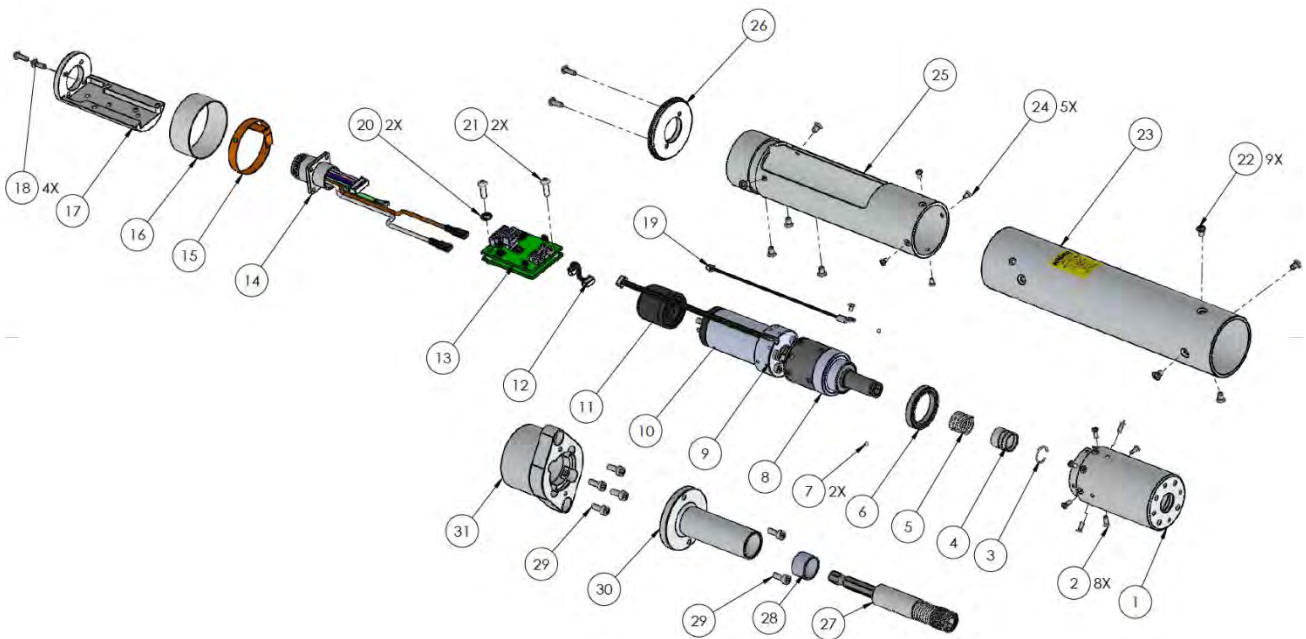
## EXPLODED VIEW KDS-MT1.5CA:



## SPARE PARTS KDS-MT1.5CA:

Pos.	Description	Qty	Code
1	MOTOR SEAT	1	234505/TCAMT
2	SCREW TSP M2X6 TX6 ZN	8	231527
3	RING	1	200007
4	RING	1	230020/1
5	SPRING	1	230021
6	BEARING	1	231533
7	BALL 2 MM	1	200011
8	REDUCTION GEARS KDS-MT1.5	1	250040/TMT
9	TRANSDUCER	1	210050/T
10	MOTOR KDS-MT1.5	1	231509/2L
11	ENCODER	1	231528
12	ENCODER WIRING	1	231536
13	BOARD	1	852528
14	MALE CONNECTOR M16 10 PIN	1	201667
15	PCB FLEX LED	1	852531
16	LED RING KDS-XXCA	1	231537
17	BOARD SUPPORT	1	231523
18	SCREW M2,5X8 TX8 ZN	4	872478
19	SENSOR	1	231534
20	WASHER	2	800041
21	SCREW M3X10 ZN TX10	2	231530
22	SCREW M3X5 TX10 ZN	9	801003
23	ALUMINIUM BODY	1	231525/MT
24	SCREW M3X5 TX10 ZN	5	801003
25	ALUMINIUM BODY (BOARD SUPPORT)	1	231524/MT
26	CAP	1	231526
	LABEL	1	800199

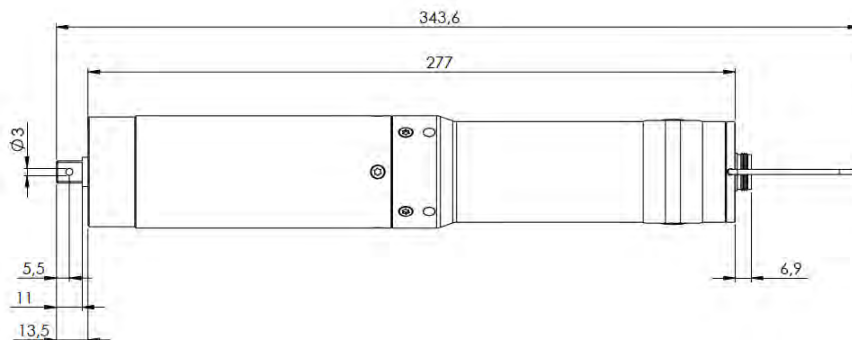
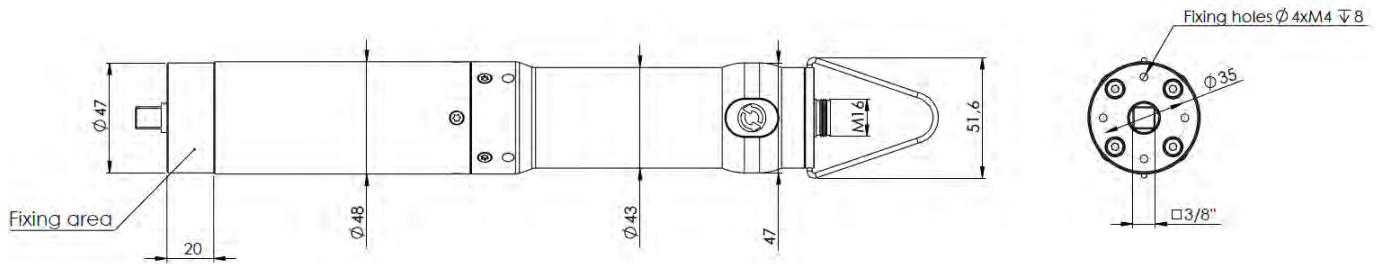
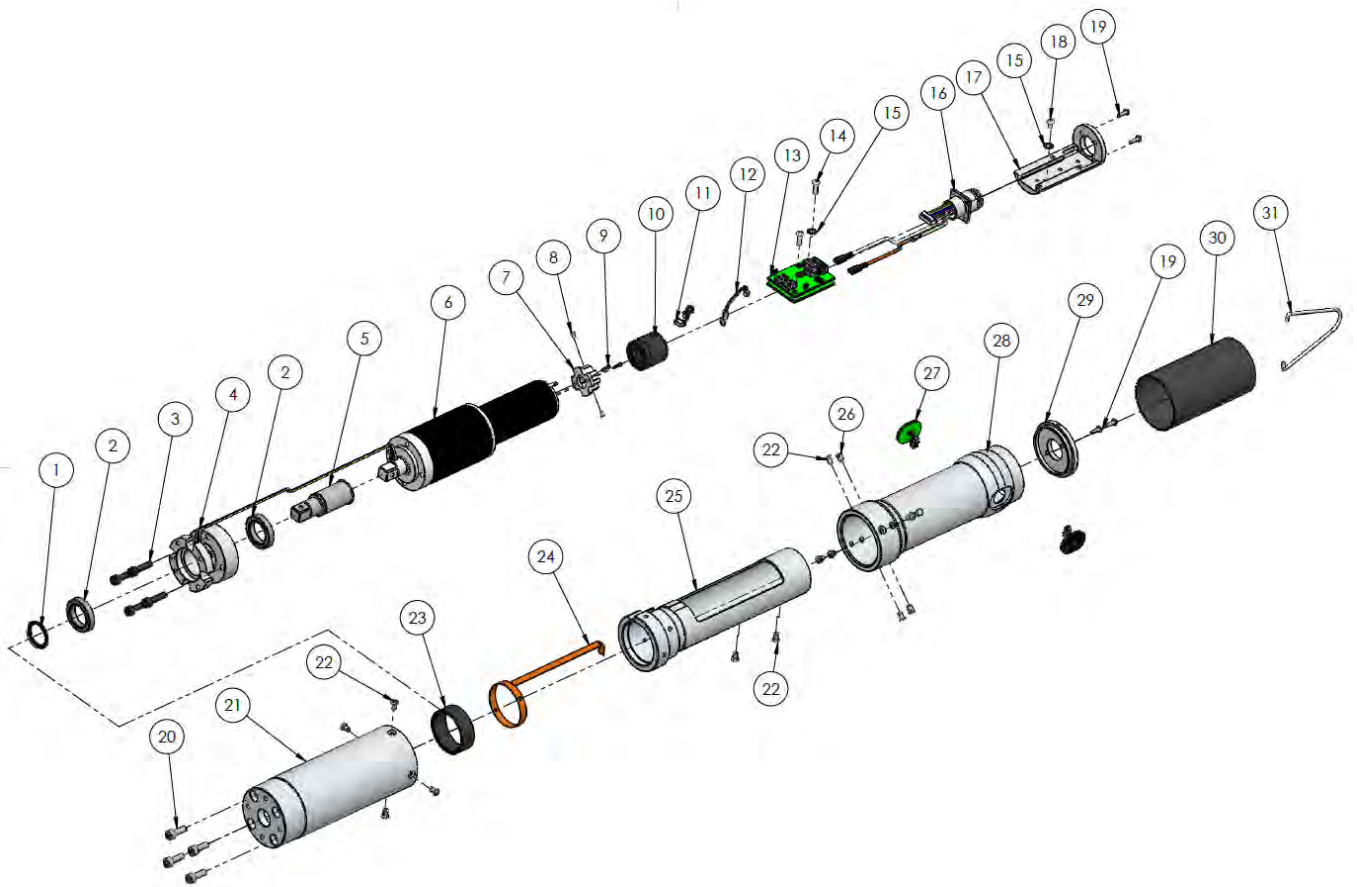
## EXPLODED VIEW KDS-MT1.5CA/FN:



## SPARE PARTS KDS-MT1.5CA/FN:

Pos.	Description	Qty	Code
1	MOTOR SEAT	1	234505/TCAMT
2	SCREW TSP M2X6 TX6 ZN	8	231527
3	RING	1	200007
4	RING	1	230020/1
5	SPRING	1	230021
6	BEARING	1	231533
7	BALL 2 MM	1	200011
8	REDUCTION GEARS KDS-MT1.5	1	250040/TMT
9	TRANSDUCER	1	210050/T
10	MOTOR KDS-MT1.5	1	231509/2L
11	ENCODER	1	231528
12	ENCODER WIRING	1	231536
13	BOARD	1	852528
14	MALE CONNECTOR M16 10 PIN	1	201667
15	PCB FLEX LED	1	852531
16	LED RING KDS-XXCA	1	231537
17	BOARD SUPPORT	1	231523
18	SCREW M2,5X8 TX8 ZN	4	872478
19	SENSOR	1	231534
20	WASHER	2	800041
21	SCREW M3X10 ZN TX10	2	231530
22	SCREW M3X5 TX10 ZN	9	801003
23	ALUMINIUM BODY	1	231525/MT
24	SCREW M3X5 TX10 ZN	5	801003
25	ALUMINIUM BODY	1	231524/MT
26	CAP	1	231526
27	COMPENSATOR 1/4"-1/4"	1	800322
28	PERMAGLIDE	1	800334
29	SCREW M3X6	6	231504/ZN
30	TELESCOPIC DRIVE BUSH	1	250010
31	SUPPORT PLATE	1	234547

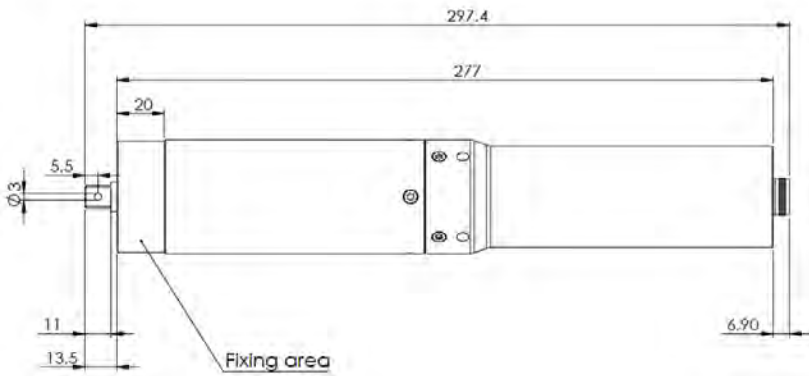
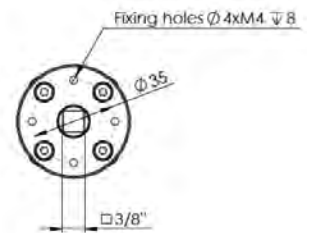
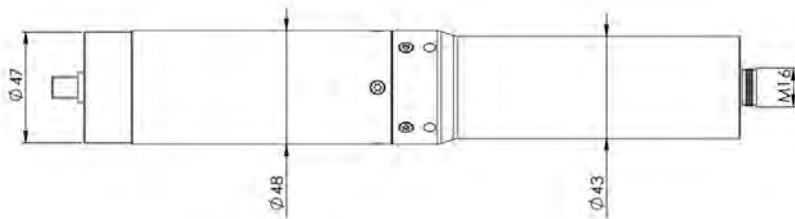
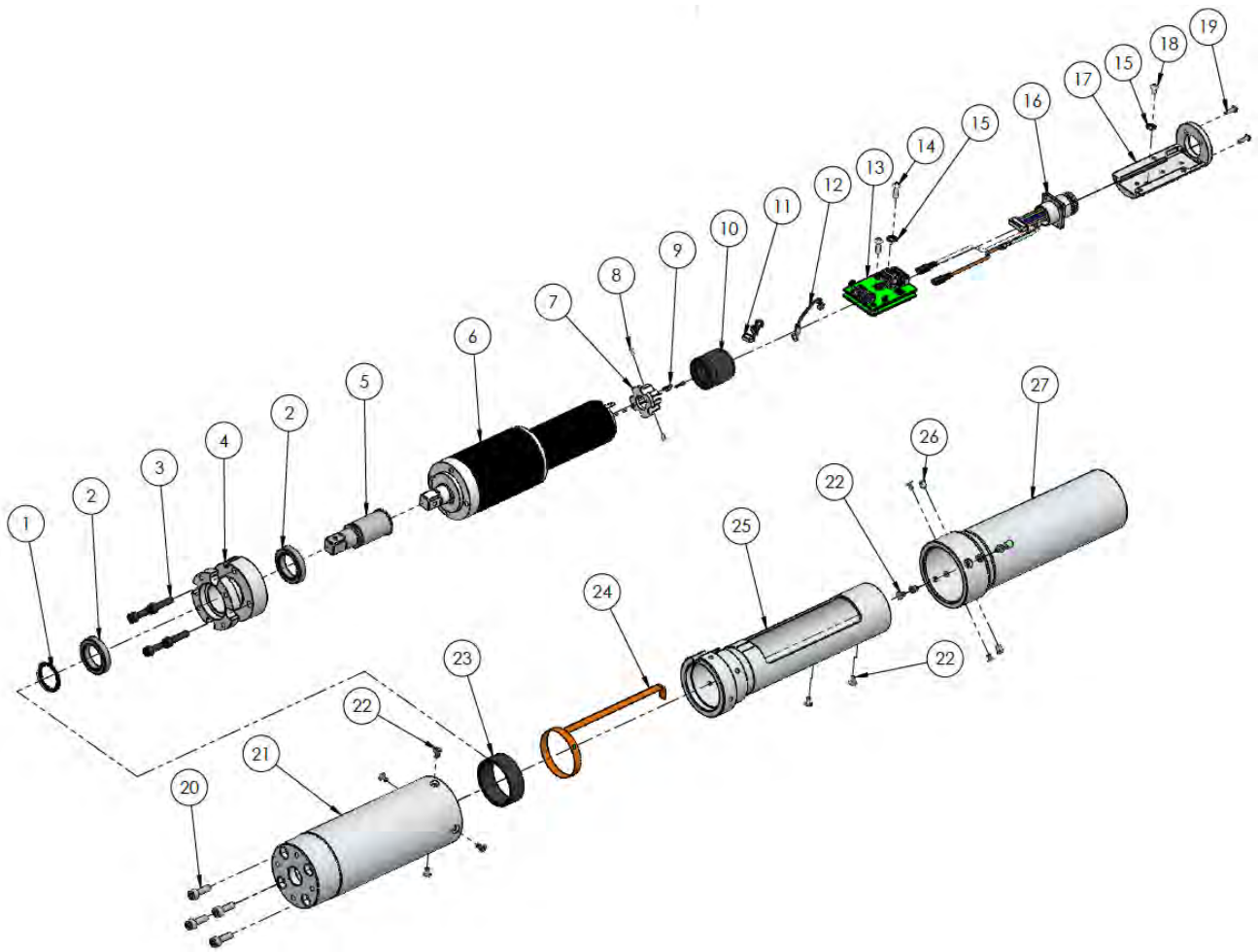
# EXPLODED VIEW KDS-PL20:



## SPARE PARTS KDS-PL20:

Pos.	Description	Qty	Code
1	RING 17mm	1	234920
2	TRANSDUCER BEARING KDS PL20	2	234922
3	SCREW 8.8 M4X16	4	240020
4	TRANSDUCER KDS PL20	1	234903
5	JOINT SHAFT KDS PL20	1	234904
6	MOTOR+REDUCTION GEARS KDS PL20	1	231612/20M
7	ENCODER CLAMP	1	234530/S
8	SCREW M2X4	2	801004
9	SCREW M1.6X6	3	872473
10	ENCODER	1	231528
11	ENCODER WIRING	1	231536
12	SENSOR	1	231534
13	BOARD	1	852528
14	SCREW M3X10	2	231530
15	WASHER	2	801005
16	MALE CONNECTOR M16 10 PIN	1	201667
17	BOARD SUPPORT	1	231523
18	SCREW M3X5	1	872444
19	SCREW M2,5X8 TX8	4	872478
20	SCREW M4X12	4	231507
21	BODY (REDUCTION GEARS)	1	234900
22	SCREW M3X6 TX10	10	801002
23	BUSH KDS PL20	1	234924
24	PCB FLEX LED KDS PL20	1	852531/L
25	BOARD SUPPORT BODY	1	234902
26	LED GUIDE KDS-XX/D	4	231553
27	REVERSE/START BUTTON	2	231535
28	BODY (BOARD)	1	234901
29	CAP KDS PL20-35-50	1	234911
30	HOUSING RUBBER 87 mm	1	234923
31	HOOK	1	200060

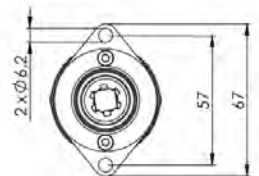
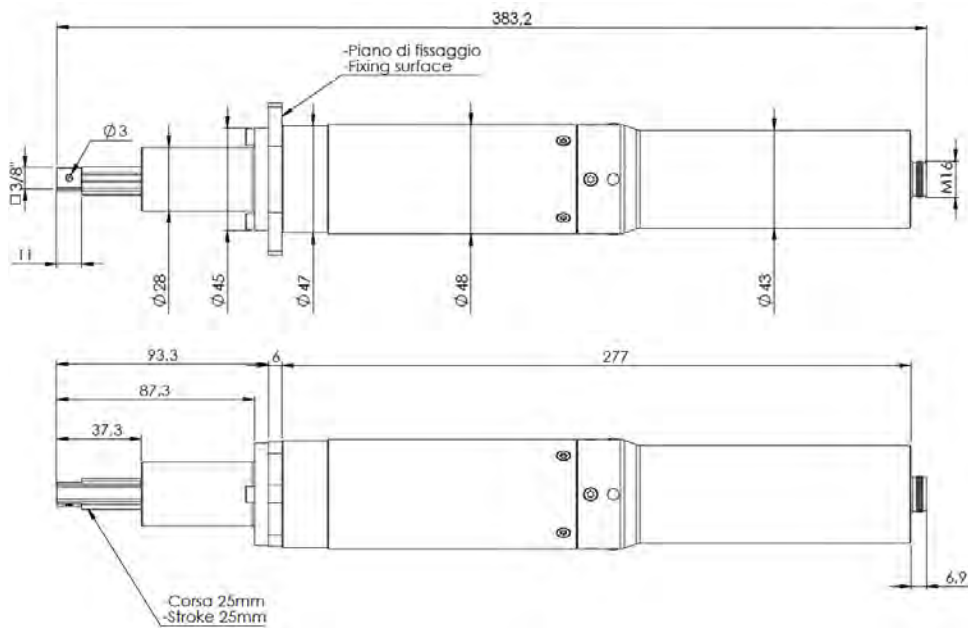
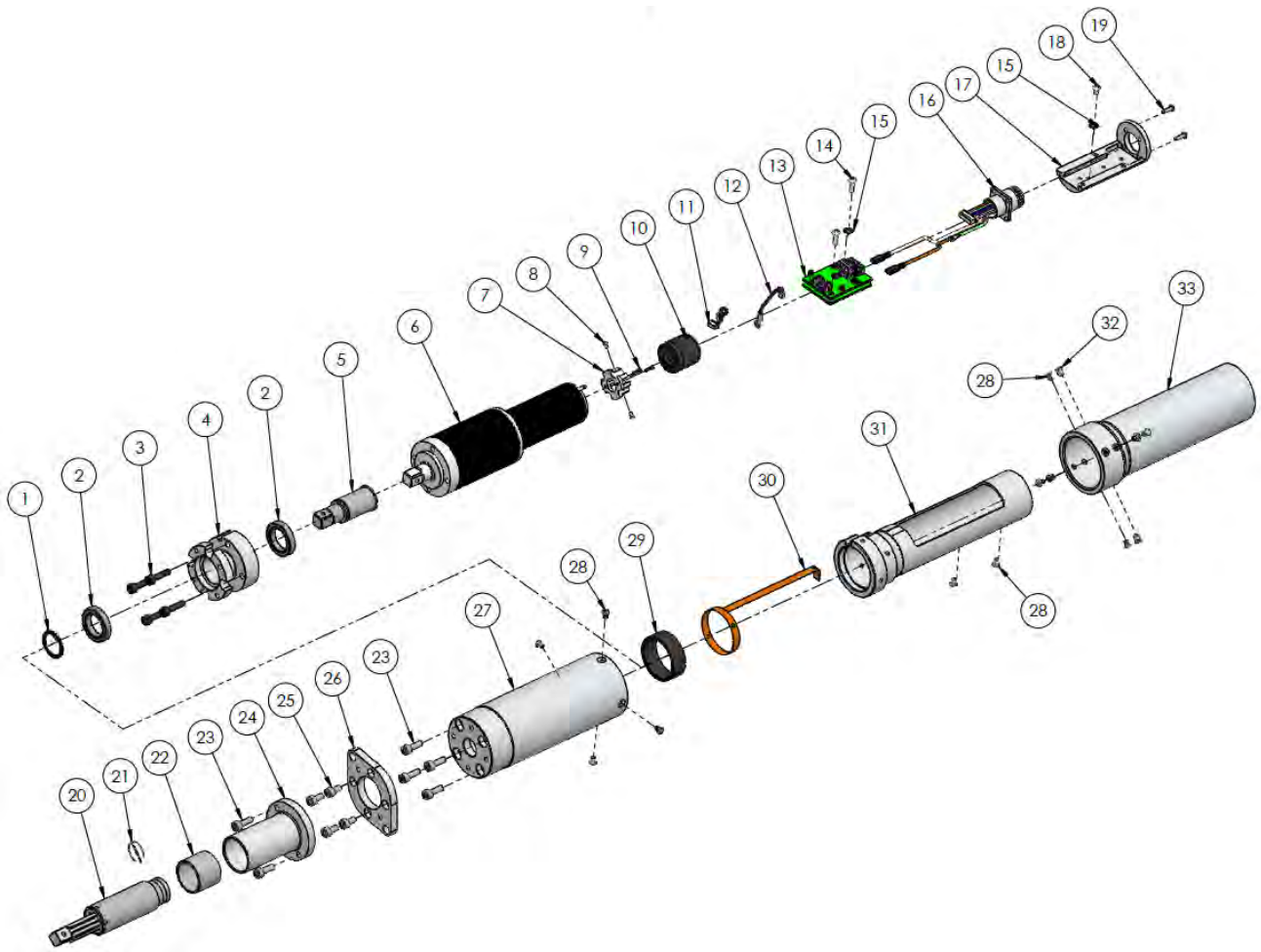
# EXPLODED VIEW KDS-PL20CA:



## SPARE PARTS KDS-PL20CA:

Pos.	Description	Qty	Code
1	RING 17mm	1	234920
2	TRANSDUCER BEARING KDS PL20	2	234922
3	SCREW 8.8 M4X16	4	240020
4	TRANSDUCER KDS PL20	1	234903
5	JOINT SHAFT KDS PL20	1	234904
6	MOTOR+REDUCTION GEARS KDS PL20	1	231612/20M
7	ENCODER CLAMP	1	234530/S
8	SCREW M2X4	2	801004
9	SCREW M1.6X6	3	872473
10	ENCODER	1	231528
11	ENCODER WIRING	1	231536
12	SENSOR	1	231534
13	BOARD	1	852528
14	SCREW M3X10	2	231530
15	WASHER	2	801005
16	MALE CONNECTOR M16 10 PIN	1	201667
17	BOARD SUPPORT	1	231523
18	SCREW M3X5	1	872444
19	SCREW M2,5X8 TX8	2	872478
20	SCREW M4X12	4	231507
21	BODY (REDUCTION GEARS)	1	234900
22	SCREW M3X6 TX10	10	801002
23	BUSH KDS PL20	1	234924
24	PCB FLEX LED KDS PL20	1	852531/L
25	BOARD SUPPORT BODY	1	234902
26	LED GUIDE KDS-XX/D	4	231553
27	BODY	1	234910

# EXPLODED VIEW KDS-PL20CA/FN:

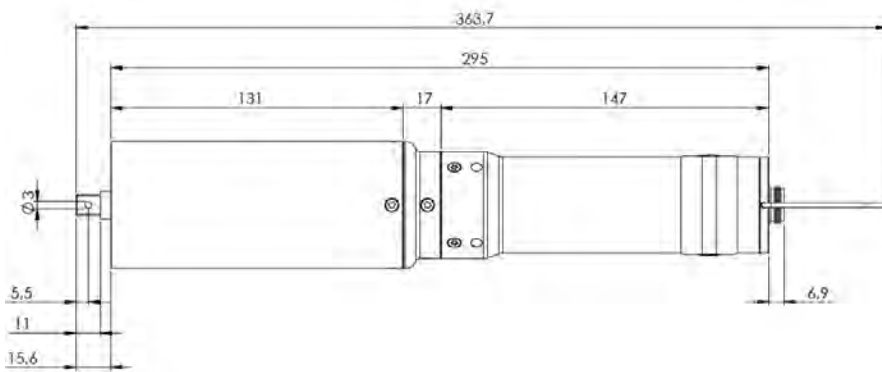
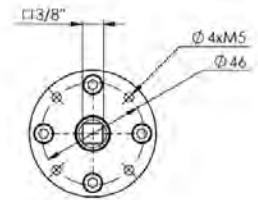
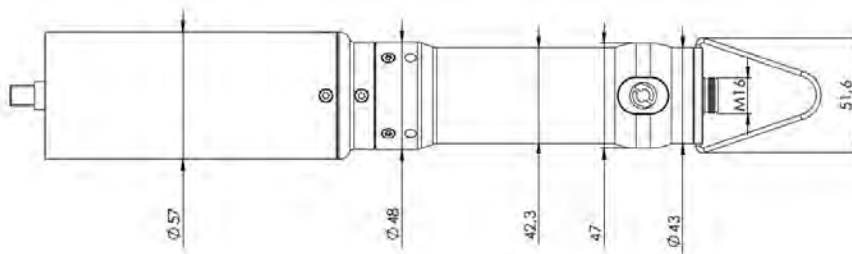
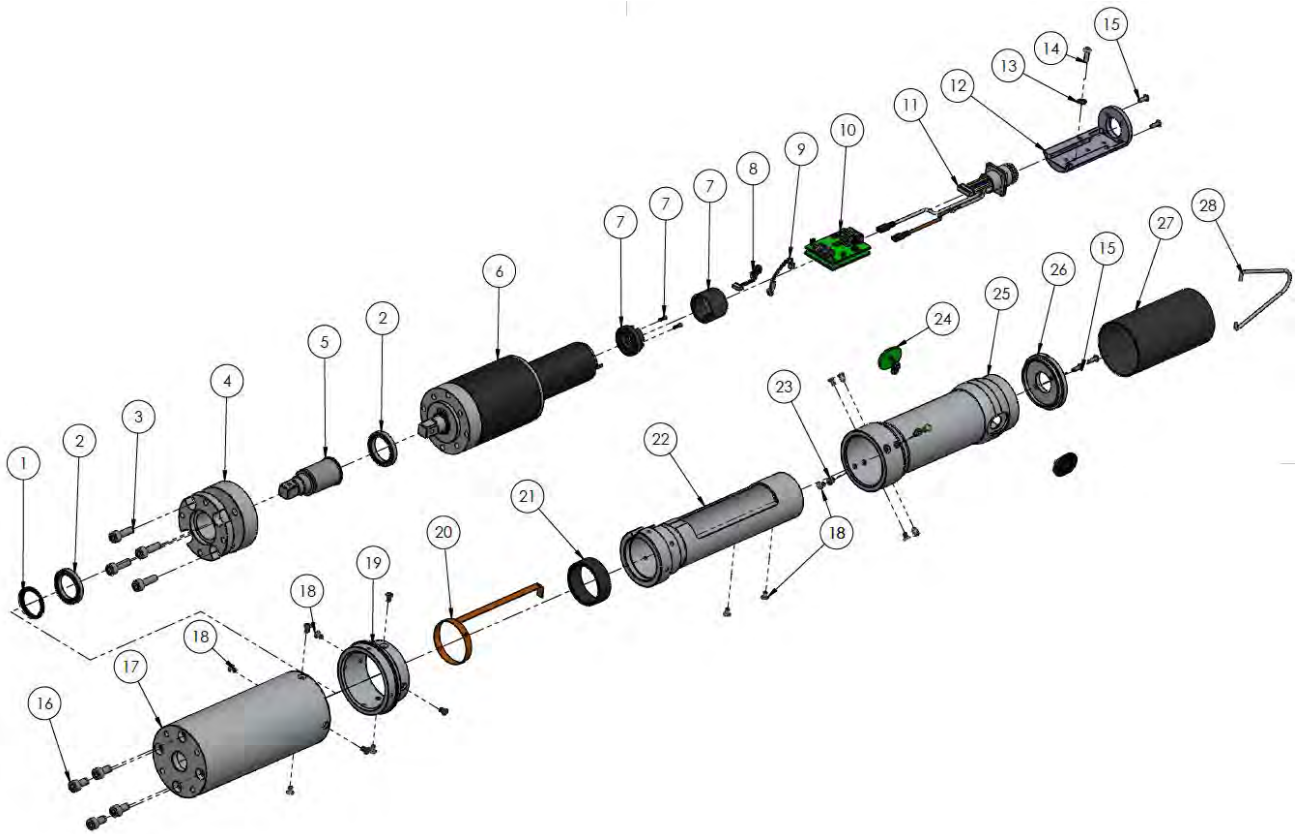




## SPARE PARTS KDS-PL20CA/FN:

Pos.	Description	Qty	Code
1	RING 17mm	1	234920
2	TRANSDUCER BEARING KDS PL20	2	234922
3	SCREW 8.8 M4X16	4	240020
4	TRANSDUCER KDS PL20	1	234903
5	JOINT SHAFT KDS PL20	1	234904
6	MOTOR+REDUCTION GEARS KDS PL20	1	231612/20M
7	ENCODER CLAMP	1	234530/S
8	SCREW M2X4	2	801004
9	SCREW M1.6X6	3	872473
10	ENCODER	1	231528
11	ENCODER WIRING	1	231536
12	SENSOR	1	231534
13	BOARD	1	852528
14	SCREW M3X10	2	231530
15	WASHER	2	801005
16	MALE CONNECTOR M16 10 PIN	1	201667
17	BOARD SUPPORT	1	231523
18	SCREW M3X5	1	872444
19	SCREW M2,5X8 TX8	2	872478
20	COMPENSATOR 3/8"	1	800321
21	1301-C SPINE 3/8"	1	FE-1301C
22	PERMAGLIDE	1	800317/1
23	SCREW M4X12	6	231507
24	TELESCOPIC GUIDE	1	800302/20
25	SCREW M4X8	4	231505
26	CLAMP	1	234510/20/3
27	BODY (REDUCTION GEARS)	1	234900
28	SCREW M3X6 TX	10	801002
29	BUSH KDS PL20	1	234924
30	PCB FLEX LED KDS PL20	1	852531/L
31	BOARD SUPPORT BODY	1	234902
32	LED GUIDE KDS-XX/D	4	231553
33	BODY (BOARD)	1	234910

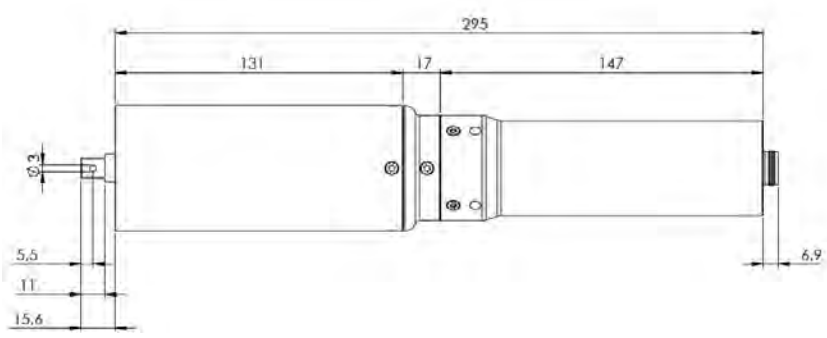
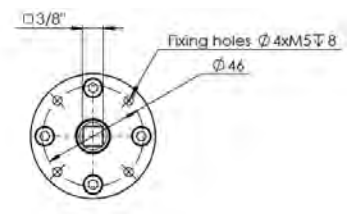
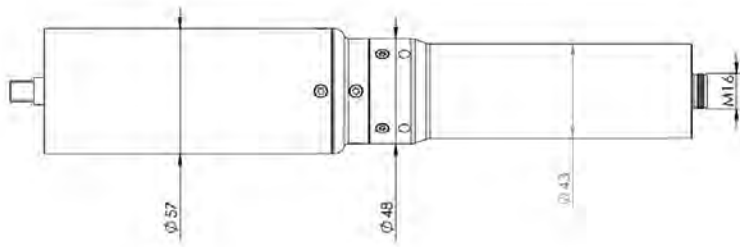
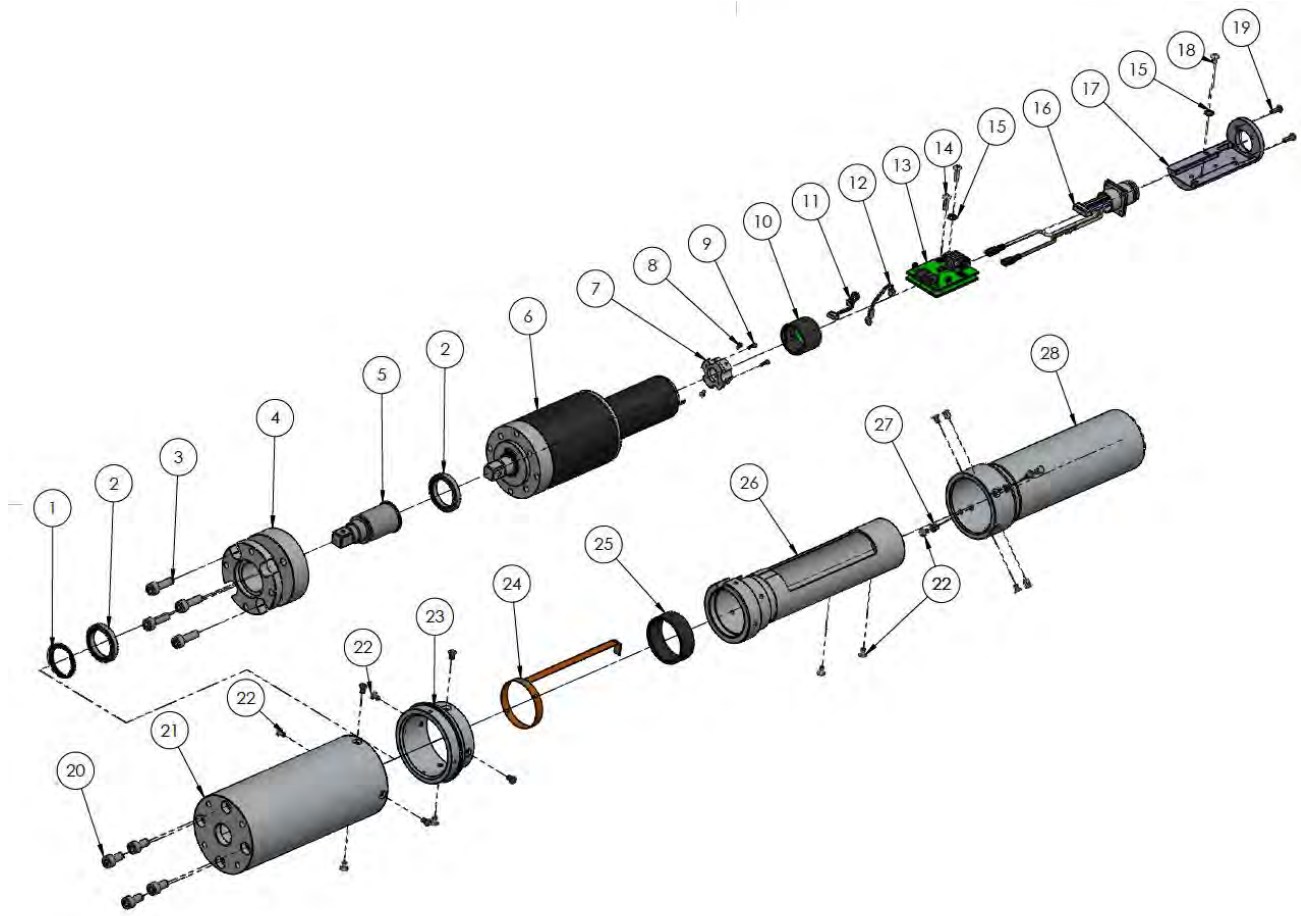
# EXPLODED VIEW KDS-PL35/SR:



## SPARE PARTS KDS-PL35:

Pos.	Description	Qty	Code
1	RING 17mm	1	234921
2	TRANSDUCER BEARING KDS	2	231533
3	SCREW 8.8 M4X16	4	234588
4	TRANSDUCER KDS PL35	1	234907
5	JOINT SHAFT KDS PL35	1	234908
6	MOTOR+REDUCTION GEARS KDS PL35	1	231612/30M
7	ENCODER KDS	1	231528
8	ENCODER WIRING	1	231536
9	SENSOR	1	231534
10	BOARD	1	852528
11	MALE CONNECTOR M16 10 PIN	1	201667
12	BOARD SUPPORT	1	231523
13	WASHER	1	800041
14	SCREW M3X10	1	231530
15	SCREW M2,5X8 TX8	4	872478
16	SCREW M5X10	4	231503
17	BODY (REDUCTION GEARS)	1	234905
18	SCREW M3X6 TX10	14	801002
19	JUNCTION	1	234906
20	PCB FLEX LED	1	852531/L
21	BUSH	1	234924
22	BOARD SUPPORT BODY	1	234902
23	LEDGUIDE	4	231553
24	REVERSE/START BUTTON	2	231535
25	BODY (BOARD)	1	234901
26	CAP KDS PL20-35-50	1	234911
27	HOUSING RUBBER KDS PL20-35-50	1	234923
28	HOOK	1	200060

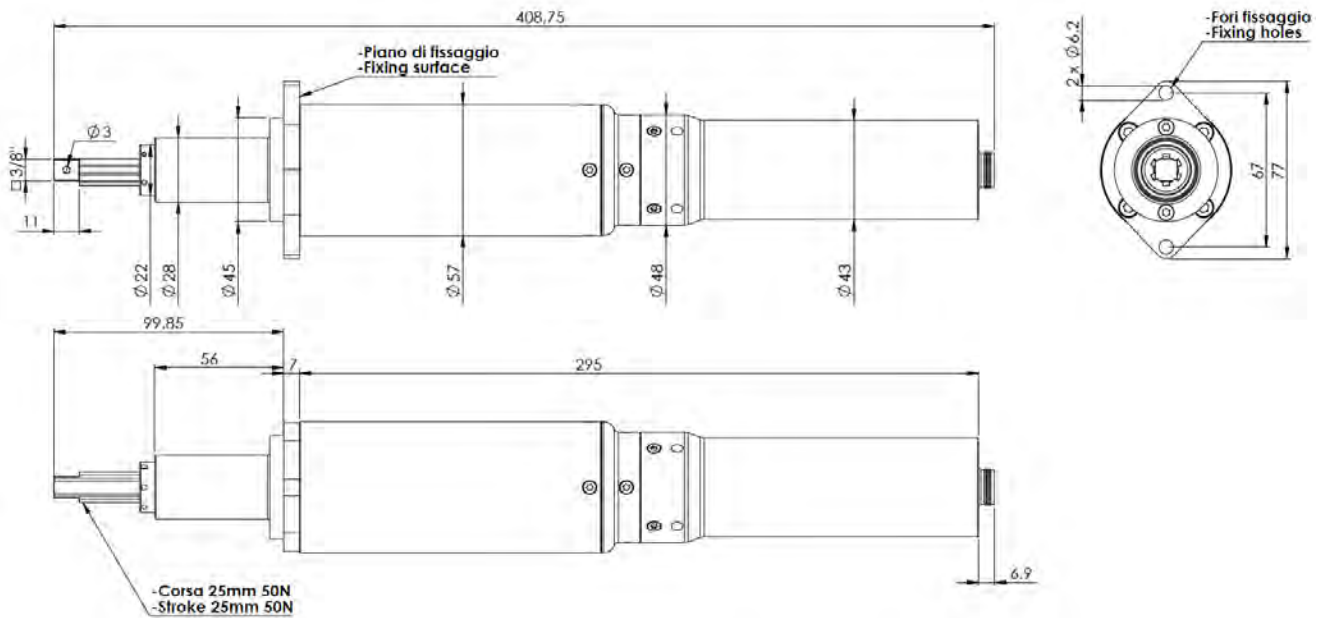
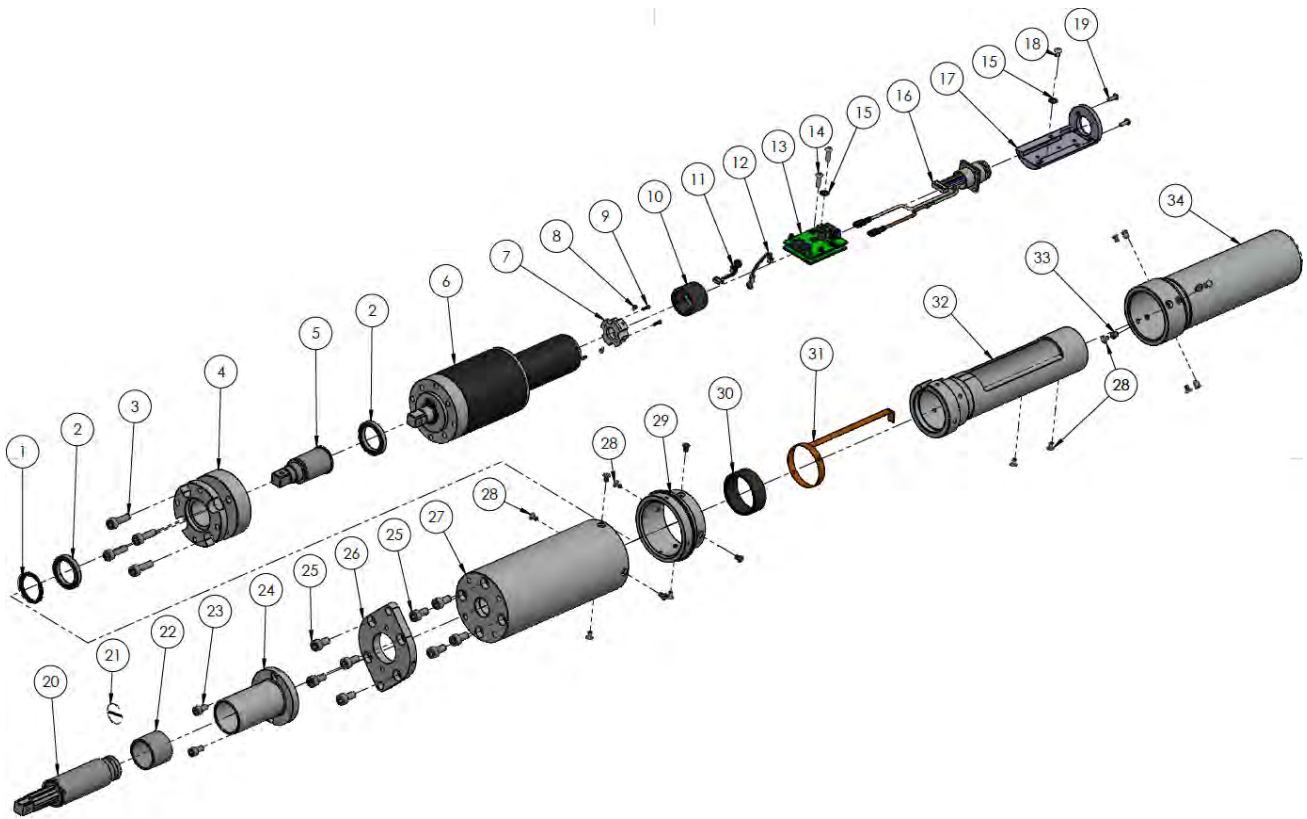
# EXPLODED VIEW KDS-PL35CA:



## SPARE PARTS KDS-PL35CA:

Pos.	Description	Qty	Code
1	RING 17mm	1	234921
2	TRANSDUCER BEARING KDS	2	231533
3	SCREW 8.8 M4X16	4	234588
4	TRANSDUCER KDS PL35	1	234907
5	JOINT SHAFT KDS PL35	1	234908
6	MOTOR+REDUCTION GEARS KDS PL35	1	231612/30M
7	ENCODER CLAMP	1	234530/S
8	SCREW M2X4	2	801004
9	SCREW M1_6X6	2	872473
10	ENCODER	1	231528
11	ENCODER WIRING	1	231536
12	SENSOR	1	231534
13	BOARD	1	852528
14	SCREW M3X10	2	231530
15	WASHER	1	800041
16	MALE CONNECTOR M16 10 PIN	1	201667
17	SUPPORT BOARD	1	231523
18	SCREW M3X5	1	872444
19	SCREW M2,5X8 TX8	2	872478
20	SCREW M5X10	4	231503
21	BODY (REDUCTION GEARS)	1	234905
22	SCREW M3X6 TX10	14	801002
23	JUNCTION	1	234906
24	PCB FLEX LED	1	852531/L
25	BUSH	1	234924
26	BOARD SUPPORT BODY	1	234902
27	LED GUIDE	4	231553
28	BODY	1	234910

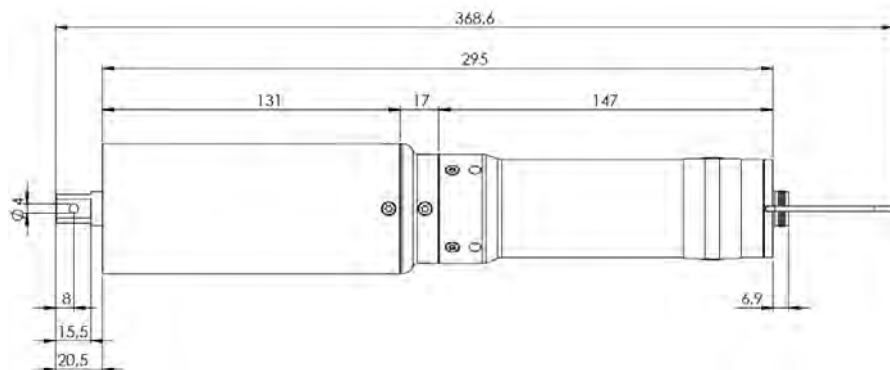
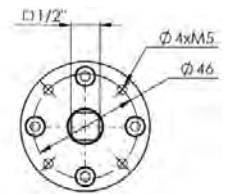
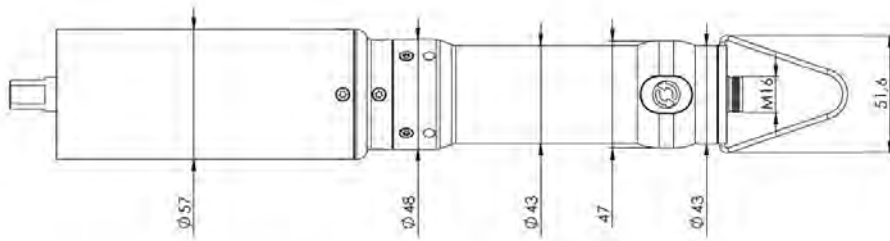
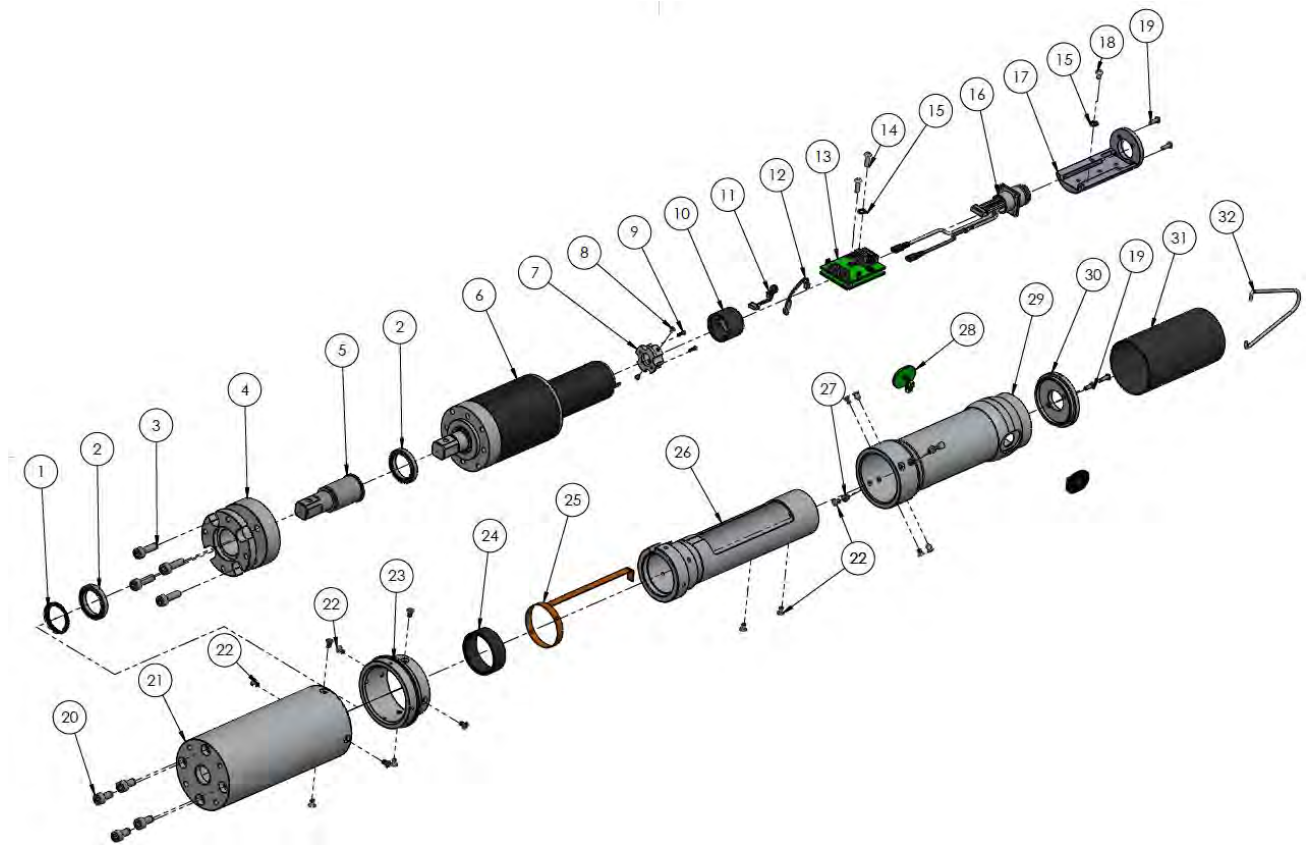
## EXPLODED VIEW KDS-PL35CA/FN:



## SPARE PARTS KDS-PL35CA/FN:

Pos.	Description	Qty	Code
1	RING 20mm	1	234921
2	TRANSDUCER BEARING KDS	2	231533
3	SCREW M5X16	4	234588
4	TRANSDUCER PL35	1	234907
5	JOINT SHAFT KDS PL35	1	234908
6	MOTOR+REDUCTION GEARS KDS PL35	1	231612/30M
7	ENCODER CLAMP	1	234530/S
8	SCREW M2X4	2	801004
9	SCREW M1_6X6	2	872473
10	ENCODER	1	231528
11	ENCODER WIRING	1	231536
12	SENSOR	1	231534
13	BOARD	1	852528
14	SCREW M3X10	2	231530
15	WASHER	1	800041
16	MALE CONNECTOR M16 10 PIN	1	201667
17	SUPPORT BOARD	1	231523
18	SCREW M3X5	1	872444
19	SCREW M2,5X8 TX8	2	872478
20	COMPENSATOR 3/8"	1	800321
21	1301-C SPINE 3/8"	1	FE-1301C
22	PERMAGLIDE	1	800317/1
23	SCREW M4X8	2	231505
24	TELESCOPI BUSH GUIDE	1	800302/20
25	SCREW M5X10	8	231503
26	CLAMP	1	234510/30/3
27	BODY (REDUCTION GEARS)	1	234905
28	SCREW M3X6 TX10	14	801002
29	JONCTION	1	234906
30	BUSH	1	234924
31	PCB FLEX LED	1	852531/L
32	BOARD SUPPORT BODY	1	234902
33	LED GUIDE	4	231553
34	BODY	1	234910

# EXPLODED VIEW KDS-PL50/SR:

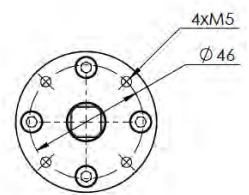
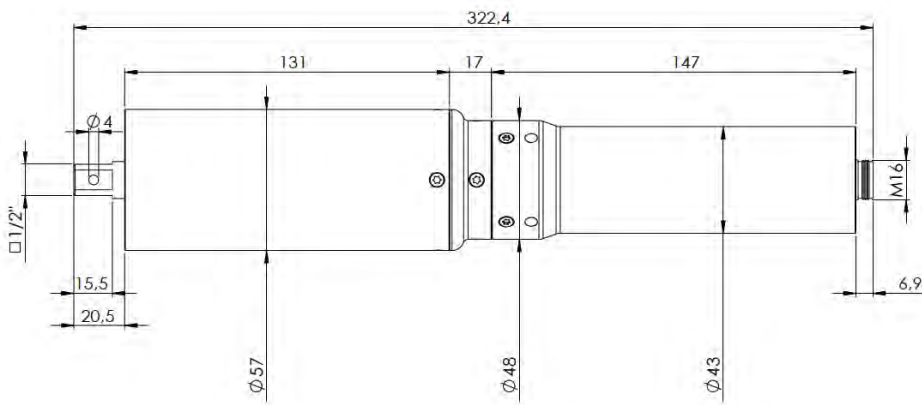
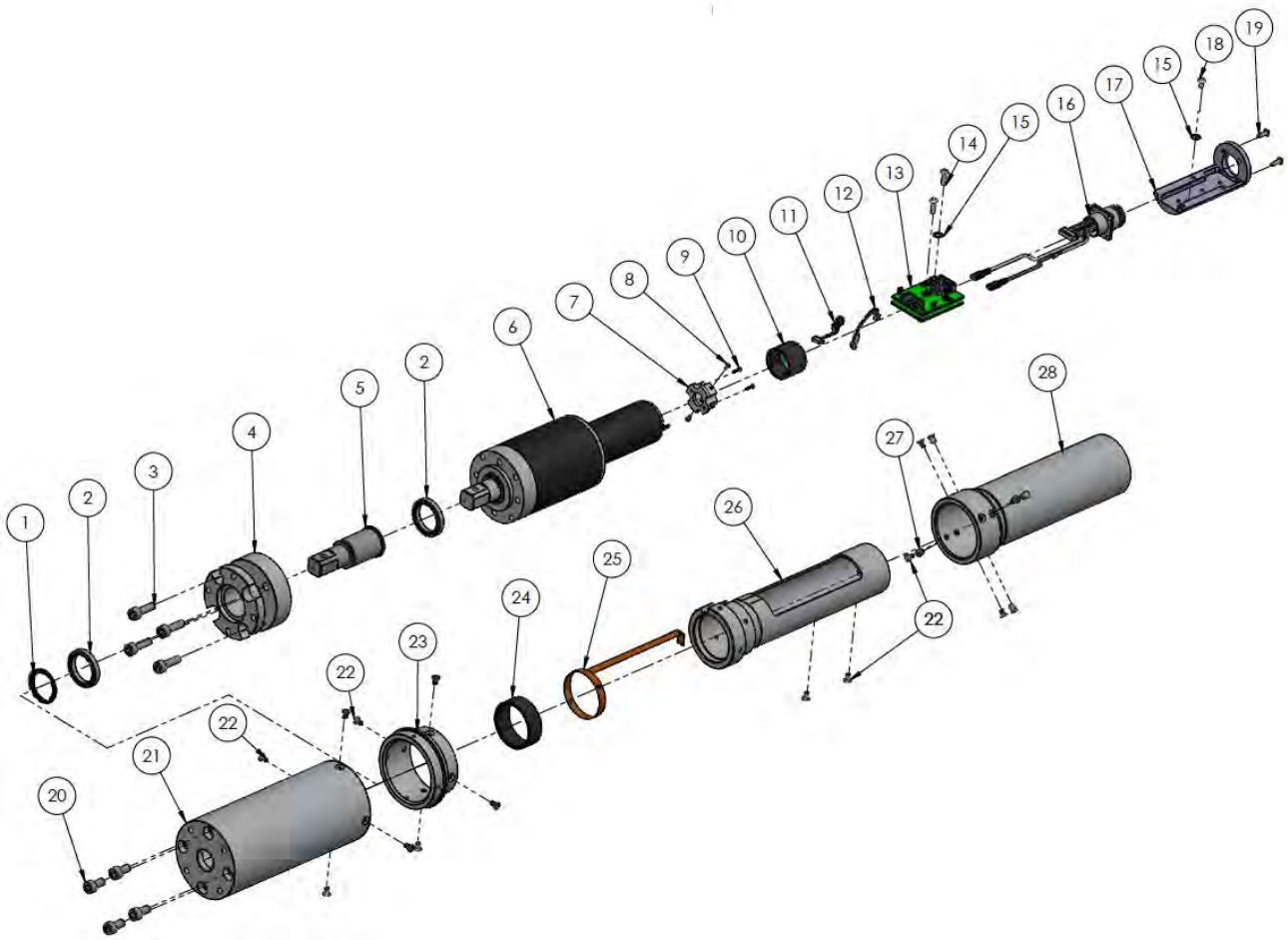




## SPARE PARTS KDS-PL50:

Pos.	Description	Qty	Code
1	RING	1	234921
2	BEARING	2	231533
3	SCREW M5X16	4	234588
4	TRANSDUCER PL35-PL50	1	234907
5	JOINT SHAFT KDS PL50	1	234909
6	MOTOR+REDUCTION GEARS KDS PL50	1	231612/50M
7	ENCODER CLAMP	1	234530/S
8	SCREW M2X4	2	801004
9	SCREW M1_6X6 ENCODER	2	872473
10	ENCODER	1	231528
11	ENCODER WIRES	1	231536
12	SENSOR	1	231534
13	BOARD	1	852528
14	SCREW M3X10	2	231530
15	WASHER	2	801005
16	MALE CONNECTOR M16 10 PIN	1	201667
17	SUPPORT BOARD	1	231523
18	SCREW M3X5	1	872444
19	SCREW M2,5X8 TX8	4	872478
20	SCREW M5X10	4	231503
21	BODY (REDUCTION GEARS)	1	234905
22	SCREW M3X6 TX10 ZN	14	801002
23	JUNCTION	1	234906
24	BUSH	1	234924
25	PCB FLEX LED	1	852531/L
26	BOARD SUPPORT BODY	1	234902
27	LED GUIDE	4	231553
28	REVERSE/START BUTTON	2	231535
29	BODY (BOARD)	1	234901
30	CAP	1	234911
31	RUBBER	1	234923
32	HOOK	1	200060

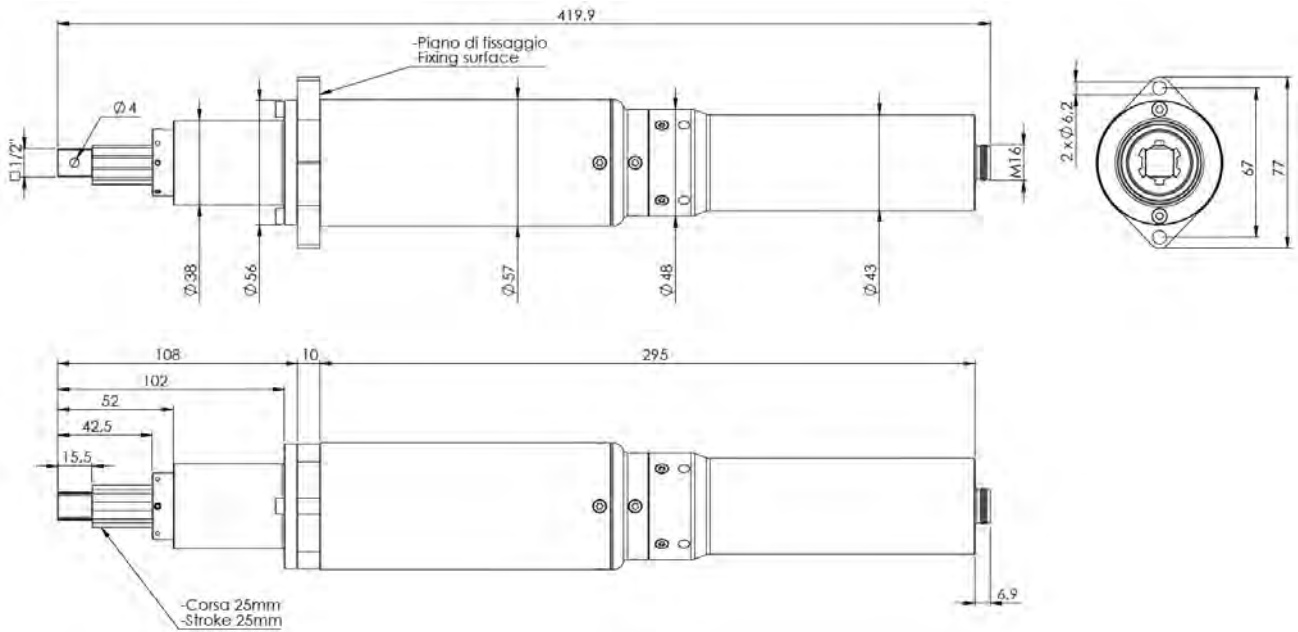
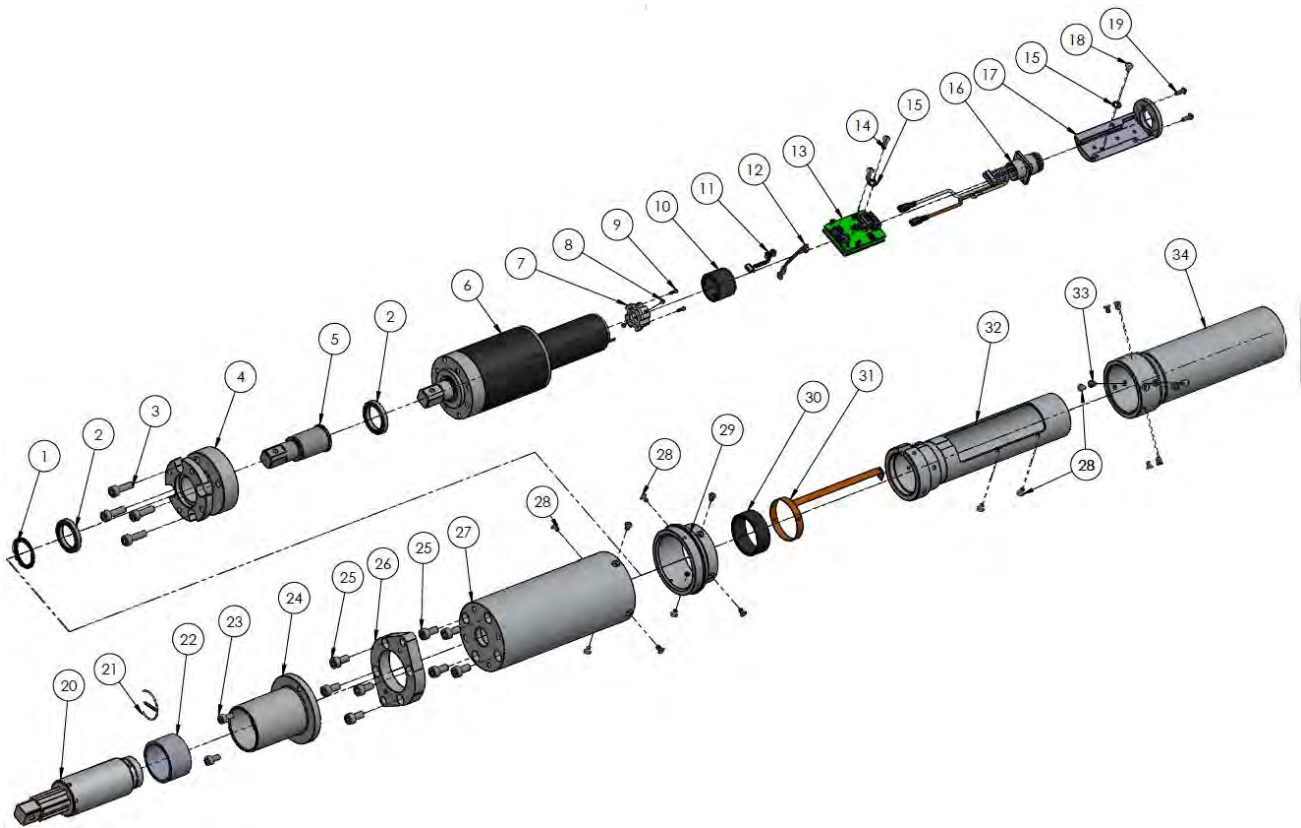
## EXPLODED VIEW KDS-PL50CA:



## SPARE PARTS KDS-PL50CA:

Pos.	Description	Qty	Code
1	RING	1	234921
2	BEARING	2	231533
3	SCREW M5X16	4	234588
4	TRANSDUCER PL35-PL50	1	234907
5	JOINT SHAFT KDS PL50	1	234909
6	MOTOR+REDUCTION GEARS KDS PL50	1	231612/50M
7	ENCODER CLAMP	1	234530/S
8	SCREW M2X4	2	801004
9	SCREW M1_6X6 ENCODER	2	872473
10	ENCODER	1	231528
11	ENCODER WIRES	1	231536
12	SENSOR	1	231534
13	BOARD	1	852528
14	SCREW M3X10	2	231530
15	WASHER	2	801005
16	MALE CONNECTOR M16 10 PIN	1	201667
17	SUPPORT BOARD	1	231523
18	SCREW M3X5	1	872444
19	SCREW M2,5X8 TX8	2	872478
20	SCREW M5X10	4	231503
21	BODY (REDUCTION GEARS)	1	234905
22	SCREW M3X6 TX10	14	801002
23	JONCTION	1	234906
24	BUSH	1	234924
25	PCB FLEX LED	1	852531/L
26	BOARD SUPPORT BODY	1	234902
27	LED GUIDE	4	231553
28	BODY	1	234910

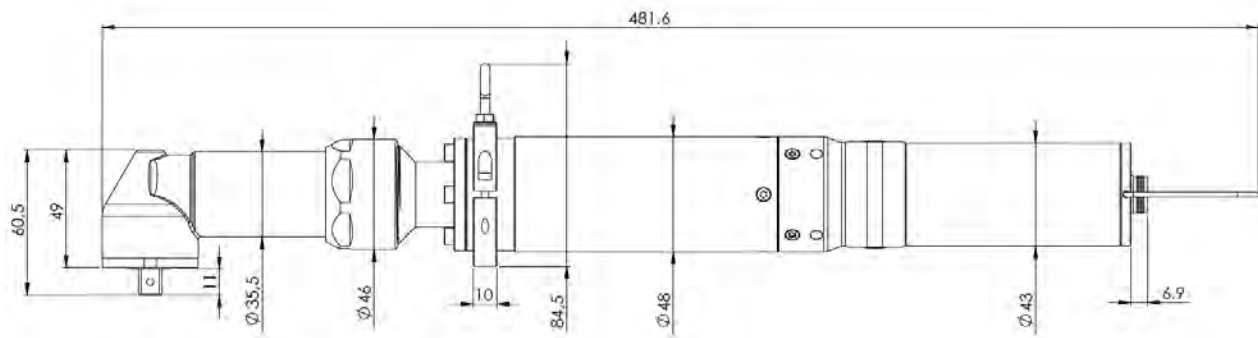
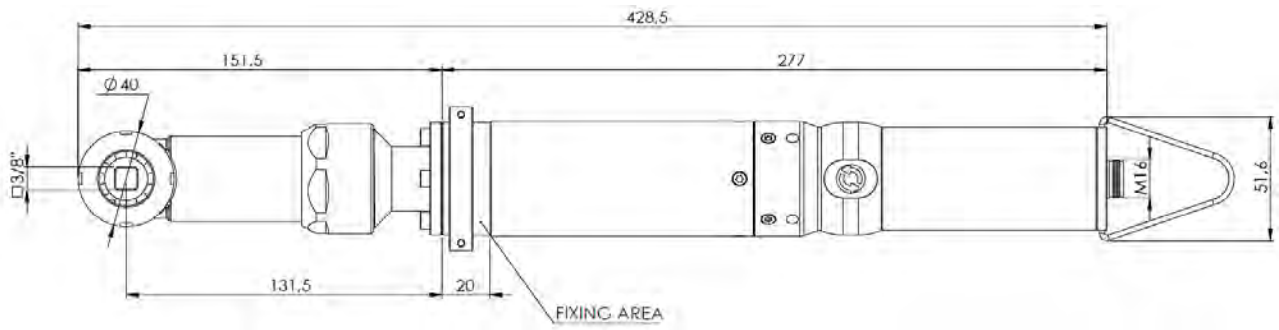
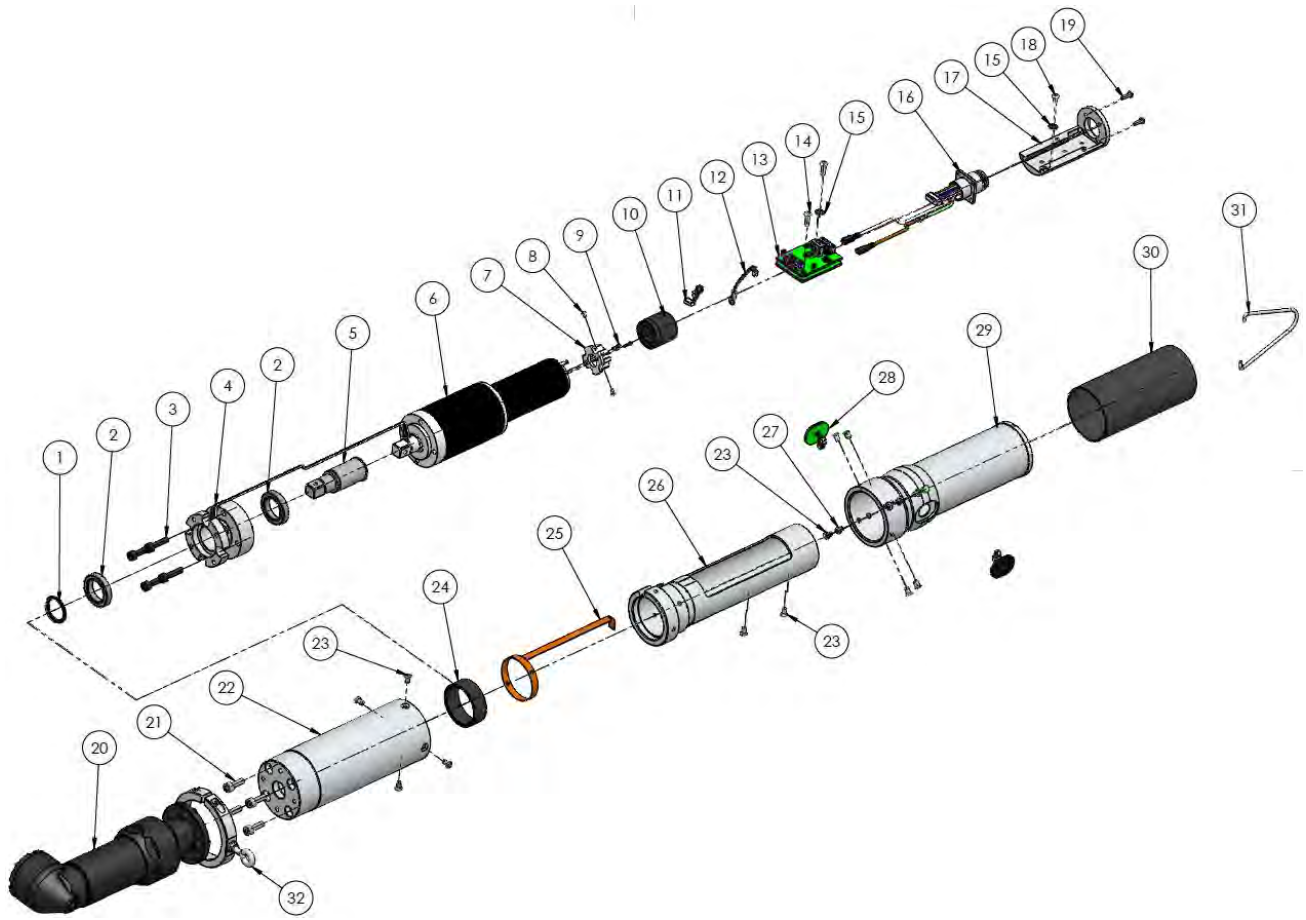
# EXPLODED VIEW KDS-PL50CA/FN:



## SPARE PARTS KDS-PL50CA/FN:

Pos.	Description	Qty	Code
1	RING	1	234921
2	BEARING	2	231533
3	SCREW M5X16	4	234588
4	TRANSDUCER PL35-PL50	1	234907
5	JOINT SHAFT KDS PL50	1	234909
6	MOTOR+REDUCTION GEARS KDS PL50	1	231612/50M
7	ENCODER CLAMP	1	234530/S
8	SCREW M2X4	2	801004
9	SCREW M1_6X6 ENCODER	2	872473
10	ENCODER	1	231528
11	ENCODER WIRES	1	231536
12	SENSOR	1	231534
13	BOARD	1	852528
14	SCREW M3X10	2	231530
15	WASHER	2	801005
16	MALE CONNECTOR M16 10 PIN	1	201667
17	SUPPORT BOARD	1	231523
18	SCREW M3X5	1	872444
19	SCREW M2,5X8 TX8	2	872478
20	COMPENSATOR 1/2"	1	800319
21	SPINE 1/2"	1	FE-1401C
22	PERMAGLIDE	1	800327
23	SCREW M4X8	2	231505
24	TELESCOPIC GUIDE PLUTO50CA	1	800302/50
25	SCREW VITE M5X10	8	231503
26	CLAMP	1	234510/50
27	BODY (REDUCTION GEARS)	1	234905
28	SCREW M3X6 TX10	14	801002
29	JONCTION	1	234906
30	BUSH	1	234924
31	PCB FLEX LED	1	852531/L
32	BOARD SUPPORT BODY	1	234902
33	LED GUIDE	4	231553
34	BODY	1	234910

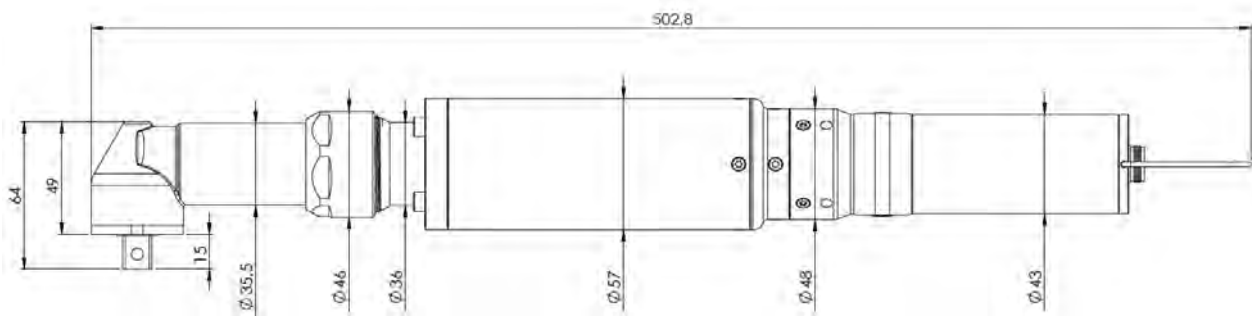
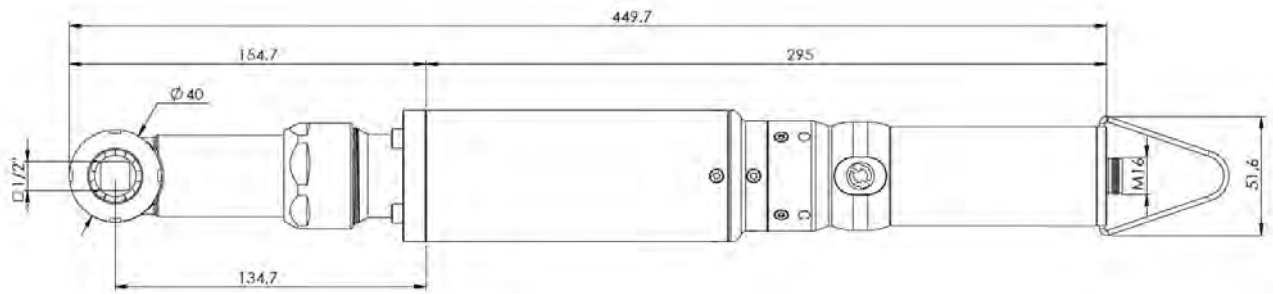
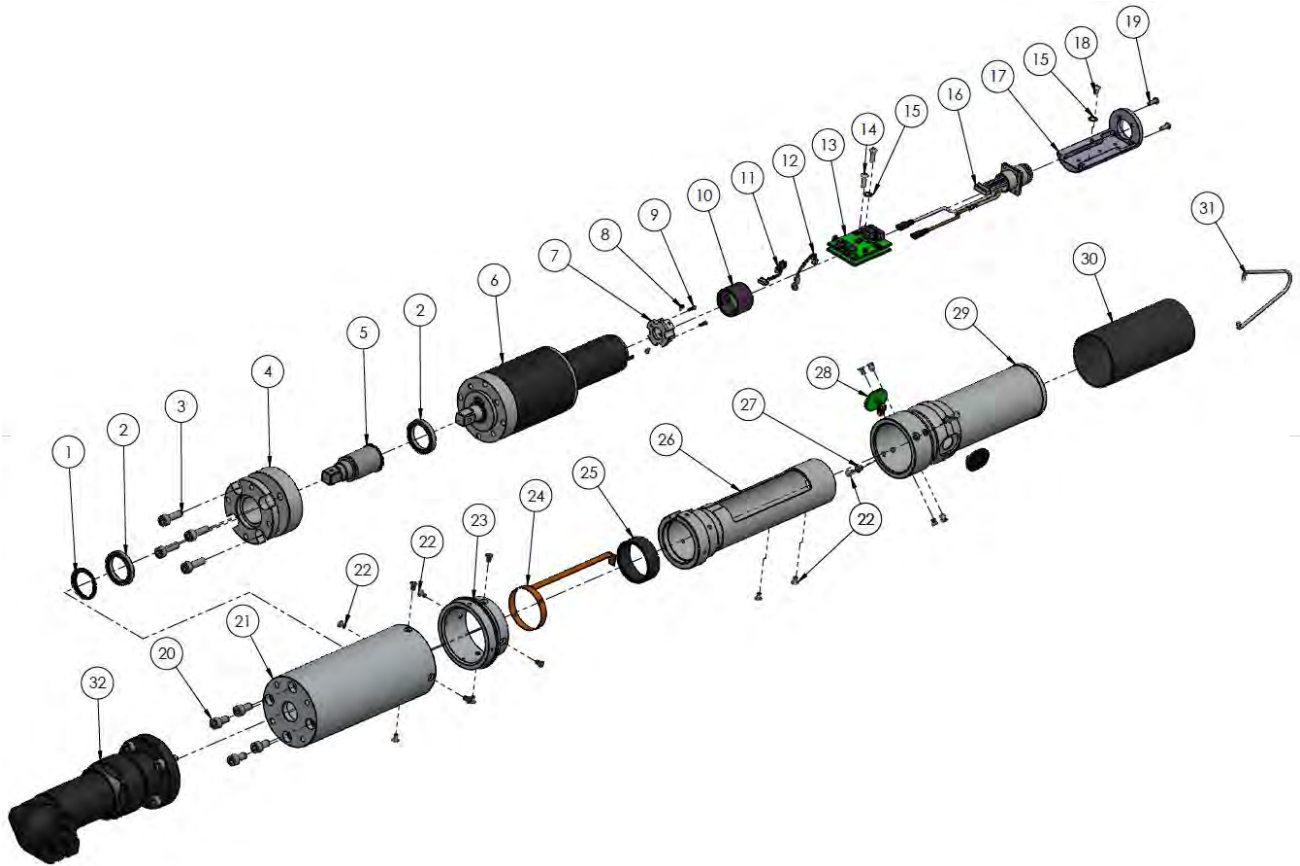
# EXPLODED VIEW KDS-PL30ANG:



## SPARE PARTS KDS-PL30ANG:

Pos.	Description	Qty	Code
1	RING	1	234920
2	BEARING	2	234922
3	SCREW M4X16	4	240020
4	TRANSDUCER PL20	1	234903
5	JOINT SHAFT KDS PL20	1	234904
6	MOTOR+REDUCTION GEARS KDS PL20	1	231612/20M
7	ENCODER CLAMP	1	234530/S
8	SCREW M2X4	2	801004
9	SCREW M1.6X6 ENCODER	3	872473
10	ENCODER	1	231528
11	ENCODER WIRES	1	231536
12	SENSOR	1	231534
13	BOARD	1	852528
14	SCREW M3X10	2	231530
15	WASHER	2	801005
16	MALE CONNECTOR M16 10 PIN	1	201667
17	BOARD SUPPORT	1	231523
18	SCREW M3X5	1	872444
19	SCREW M2,5X8 TX8	2	872478
20	ANG HD20	1	010157
21	SCREW M4X12	4	231507
22	BODY (REDUCTION GEARS)	1	234900
23	SCREW M3X6 TX	10	801002
24	BUSH	1	234924
25	PCB FLEX LED	1	852531/L
26	BOARD SUPPORT BODY	1	234902
27	LED GUIDE	4	231553
28	REVERSE/START BUTTON	2	231535
29	BODY (BOARD)	1	234901
30	RUBBER	1	234923
31	HOOK	1	200060
32	SUPPORT RING KIT	1	010173

# EXPLODED VIEW KDS-PL45ANG:

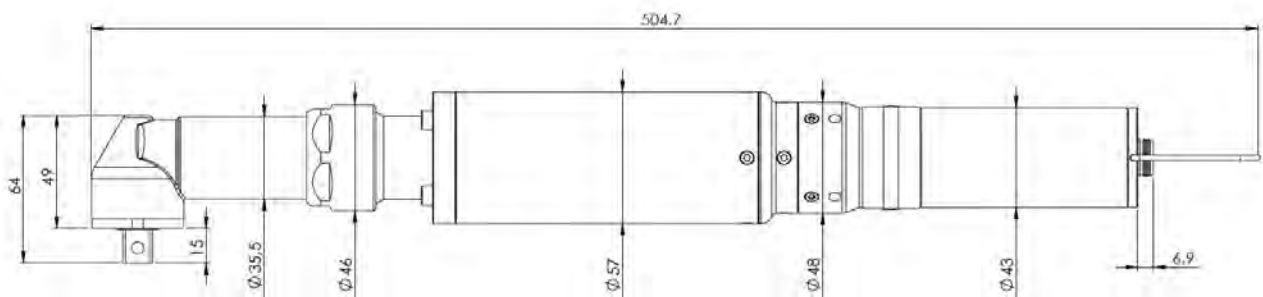
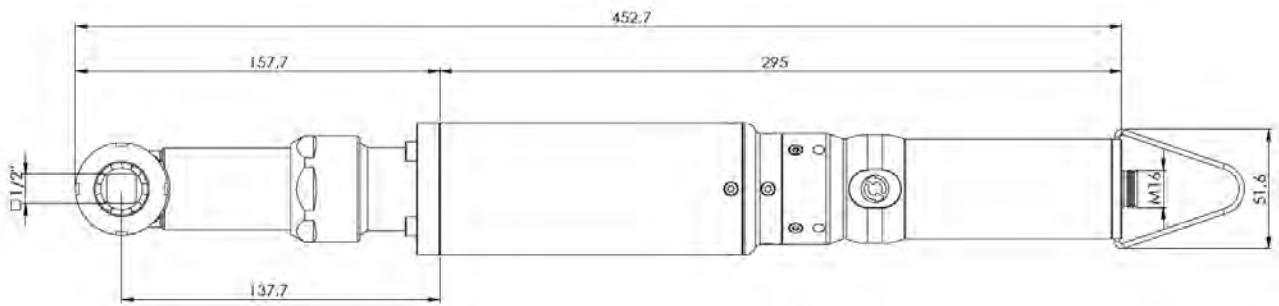
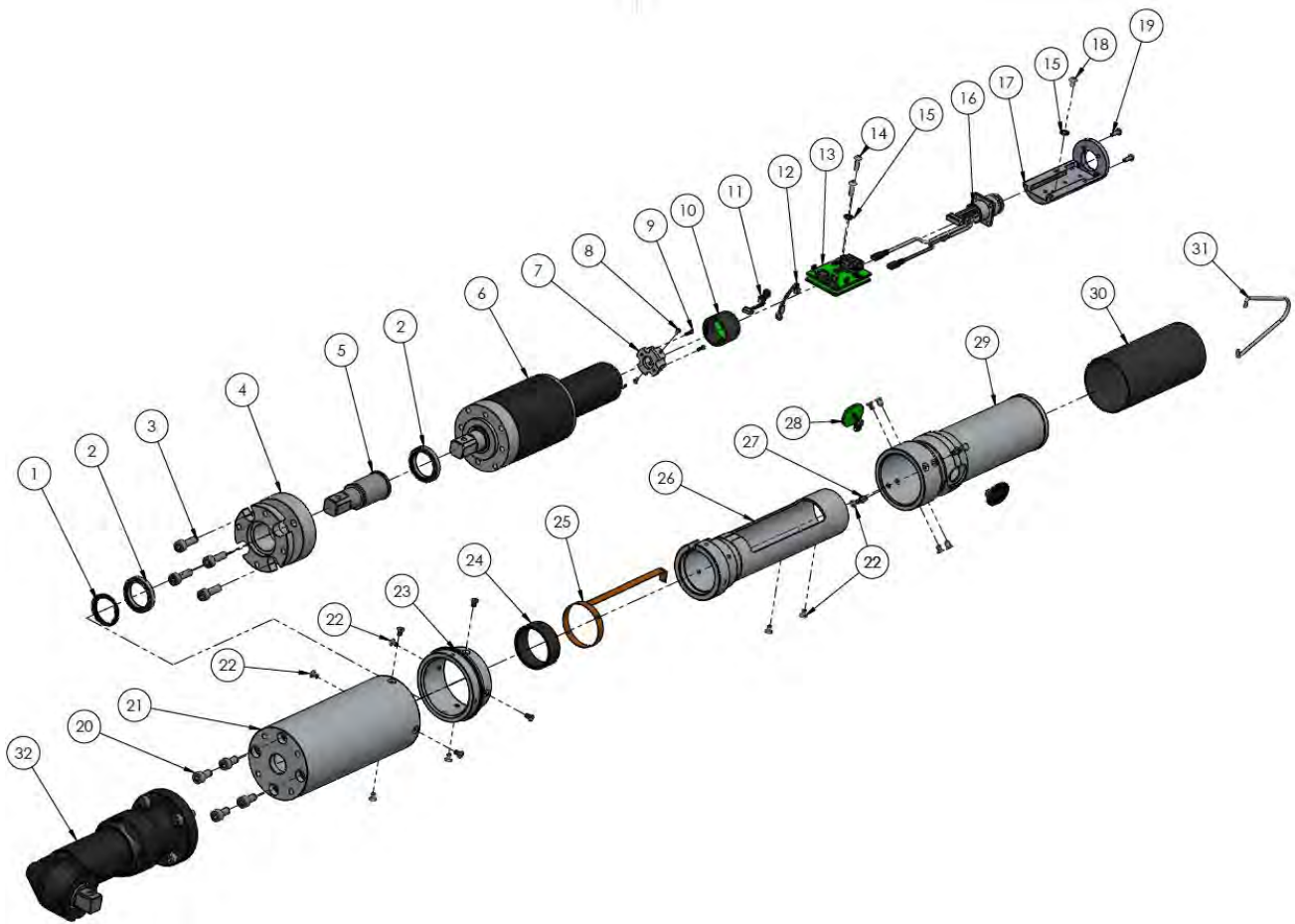




## SPARE PARTS KDS-PL45ANG:

Pos.	Description	Qty	Code
1	RING	1	234921
2	BEARING	2	231533
3	SCREW M5X16	4	234588
4	TRANSDUCER PL35-PL50	1	234907
5	JOINT SHAFT KDS PL35	1	234908
6	MOTOR+REDUCTION GEARS KDS PL35	1	231612/30M
7	ENCODER CLAMP	1	234530/S
8	SCREW M2X4	2	801004
9	SCREW M1_6X6 ENCODER	2	872473
10	ENCODER	1	231528
11	ENCODER WIRES	1	231536
12	SENSOR	1	231534
13	BOARD	1	852528
14	SCREW M3X10	2	231530
15	WASHER	2	801005
16	MALE CONNECTOR M16 10 PIN	1	201667
17	BOARD SUPPORT	1	231523
18	SCREW M3X5	1	872444
19	SCREW M2,5X8 TX8	2	872478
20	SCREW M5X10	4	231503
21	BODY (REDUCTION GEARS)	1	234905
22	SCREW M3X6 TX10	14	801002
23	JUNCTION	1	234906
24	PCB FLEX LED	1	852531/L
25	BUSH	1	234924
26	BOARD SUPPORT BODY	1	234902
27	LED GUIDE	4	231553
28	REVERSE/START BUTTON	2	231535
29	BODY (BOARD)	1	234901
30	RUBBER	1	234923
31	HOOK	1	200060
32	ANG HD 21	1	010158

## EXPLODED VIEW KDS-PL70ANG:



## EXPLODED VIEW KDS-PL70ANG:

Pos.	Description	Qty	Code
1	RING	1	234921
2	BEARING	2	231533
3	SCREW M5X16	4	234588
4	TRANSDUCER PL35-PL50	1	234907
5	JOINT SHAFT	1	234909
6	MOTOR+REDUCTION GEARS KDS	1	231612/50M
7	ENCODER CLAMP	1	234530/S
8	SCREW M2X4	2	801004
9	VITE M1_6X6 ENCODER	2	872473
10	ENCODER	1	231528
11	ENCODER WIRES	1	231536
12	SENSOR	1	231534
13	BOARD	1	852528
14	BN 6404 M3X10	2	231530
15	WASHER	2	801005
16	MALE CONNECTOR M16 10 PIN	1	201667
17	BOARD SUPPORT	1	231523
18	SCREW M3X5	1	872444
19	SCREW M2,5X8 TX8	2	872478
20	SCREW M5X10	4	231503
21	BODY (REDUCTION GEARS)	1	234905
22	SCREW M3X6 TX10	14	801002
23	JUNCTION	1	234906
24	BUSH	1	234924
25	PCB FLEX LED	1	852531/L
26	BOARD SUPPORT BODY	1	234902
27	LED GUIDE	4	231553
28	REVERSE/START BUTTON	2	231535
29	BODY (BOARD)	1	234901
30	RUBBER	1	234923
31	HOOK	1	200060
32	ANG HD 22	1	010159

## GUARANTEE

This KOLVER product is guaranteed against defective workmanship or materials, for a maximum period of 12 months following the date of purchase from KOLVER, provided that its usage is limited to single shift operation throughout that period. If the usage rate exceeds of single shift operation, the guarantee period shall be reduced on a prorata basis. If, during the guarantee period, the product appears to be defective in workmanship or materials, it should be returned to KOLVER or its distributors, transport prepaied, together with a short description of the alleged defect. KOLVER shall, at its sole discretion, arrange to repair or replace free of charge such items.

This guarantee does not cover repair or replacement required as a consequence of products which have been abused, misused or modified, or which have been repaired using not original KOLVER spare parts or by not authorized service personnel.

KOLVER accepts no claim for labour or other expenditure made upon defective products. Any direct, incidental or consequential damages whatsoever arising from any defect are expressly excluded.

This guarantee replaces all other guarantees, or conditions, expressed or implied, regarding the quality, the marketability or the fitness for any particular purpose.

No one, whether an agent, servant or employee of KOLVER, is authorized to add to or modify the terms of this limited guarantee in any way. However it's possible to extend the warranty with an extra cost. Further information at [kolver@kolver.it](mailto:kolver@kolver.it).



KDU1A

Torque range: 0.1 - 70 Nm

# OPERATOR MANUAL



## IDENTIFICATION DATA OF THE MANUFACTURER

KOLVER S.r.l.  
VIA M. CORNER, 19/21  
36016 THIENE (VI) ITALIA

## IDENTIFICATION DATA OF THE PRODUCT

MODEL:	KDU-1A
CODE:	035001/A

## TECHNICAL DATA OF THE PRODUCT

FUSE: 3,15 A  
DIMENSIONS: 190 x 205 x h120 mm WEIGHT: 2,5 Kg  
POWER SUPPLY: 90÷260 V AC 50÷60 Hz  
TENSION: 40V DC  
POWER: 600W

## DECLARATION OF CONFORMITY



**KOLVER S.r.l.** declares that the new tool here described: control unit model KDU-1A is in conformity with the following standards and other normative documents: 2006/42/CE, LVD 2014/35/UE, EMCD 2014/30/UE, EN 62841-2-2:2014, EN 62841-1: 2015, EN 60204-1, EN 61000-6-2, EN 61000-6-4.

It is also in conformity with RoHS III normative (2011/65/UE and following 2015/863).

Name: Giovanni Colasante  
Position: General Manager  
Person authorized to compile the technical file in Kolver

Thiene, January 1st 2022

*Giovanni Colasante*

# Table of Contents

INTRODUCTION .....	5
MODELS.....	5
INSTALLATION .....	7
Installation of KDU-1A unit .....	7
Connectors .....	8
Installation of KDS screwdriver.....	9
Installation of reaction arm.....	10
QUICK START.....	13
TERMINOLOGY .....	16
OPERATING THE KDS SCREWDRIVER .....	18
OPERATING THE K-DUCER CONTROL UNIT .....	20
Main Screen – Program Mode – navigation tree .....	20
Main Screen – Program Mode.....	21
Main Screen – Sequence Mode – navigation tree .....	23
Main Screen – Sequence Mode.....	24
Torque and Angle graphing .....	26
Visualizing the Torque and Angle charts .....	26
Interpreting the Torque and Angle charts.....	27
Torque and Angle charts with Running Torque .....	28
Generating the Torque and Angle graphs from CSV data.....	29
Determining the joint type.....	30
Determining the appropriate program settings .....	31
Screwdriving Phases.....	32
Retrieving and storing the screwdriving results .....	33
Data format for the screwdriving results .....	33
Connecting a barcode scanner .....	36
Connecting a bit-tray or switchbox (CBS880, SWBX88) .....	37
CONFIGURING THE K-DUCER .....	39
ADVANCED TORQUE CONTROL STRATEGIES .....	39
SIMULTANEOUS TORQUE AND ANGLE CONTROL.....	39
RUNNING TORQUE .....	40
PREVAILING TORQUE.....	43

CROSSTHREAD DETECTION .....	43
MULTI-STEP AND COMBINED PROGRAMS .....	44
MAIN MENU .....	45
PROGRAMS menu .....	46
PROGRAMS menu tree.....	47
TORQUE & ANGLE menu .....	51
RAMP, TIME, & PV TORQUE menu .....	53
REV & PRE-REV menu .....	56
OTHER menu .....	57
SEQUENCE SETTINGS menu .....	60
SEQUENCE SETTINGS menu tree.....	61
CURRENT SEQ. menu .....	62
GENERAL SETTINGS menu.....	64
GENERAL SETTINGS menu tree.....	70
USB menu.....	72
FREE K-EXPAND AND K-LINK SOFTWARE .....	75
REMOTE CONTROL INTERFACES.....	76
24V I/O.....	77
Pinout (CN3).....	78
Wiring diagrams.....	82
Binary tables for sequence and program selection .....	84
MODBUS TCP .....	86
K-DUCER MODBUS map.....	87
MODBUS TCP code examples and literature .....	88
OPEN PROTOCOL .....	89
Supported MIDs.....	89
TOOLSNET OPEN PROTOCOL (beta) .....	90
PROFINET / Ethernet IP / EtherCAT / others .....	91
MAINTENANCE AND CARE.....	92
CALIBRATION.....	92
EXPLODED VIEWS AND SPARE PARTS.....	93
GUARANTEE.....	95



## INTRODUCTION

K-DUCER is the new class A intelligent transducerized assembly system from Kolver. Thanks to a sophisticated control system, the electronic circuit communicates with KDS series screwdriver equipped with integrated torque/angle transducer and allows to stop the screwdriver instantly when reaching the preset torque or angle.

The AC 90÷260V - 50÷60Hz power supply is converted into 40VDC required by the KDS series screwdrivers through a switching board.

**IMPORTANT:** K-DUCER is a highly accurate unit but it is critically important to select the appropriate settings to ensure that the desired and proper torque is being applied and that the screwdriver motor works efficiently. Read the manual carefully and if unsure please contact Kolver for support.

## MODELS

K-DUCER power supply and control unit is available in one version:

Code	Model	Features
035001/A	KDU-1A	5" touch screen 64 programs and 8 sequences (jobs) multiple parameters, total job flexibility Torque and angle charts RJ45 ethernet connector providing Modbus TCP (server) Open Protocol ToolsNet Open Protocol 12-24V NPN I/O (20 inputs – 21 outputs) 2x RS-232 serial ports 1D and 2D barcode scanner compatibility

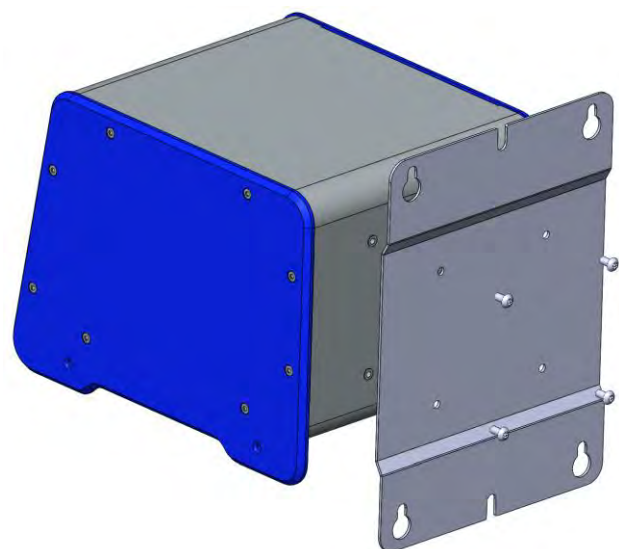
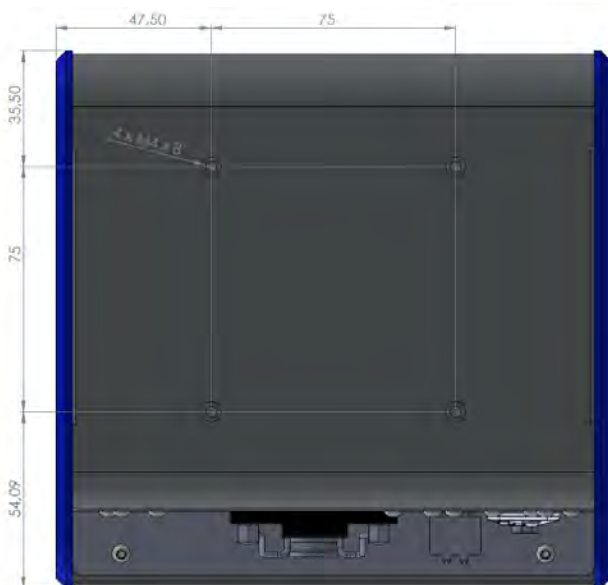
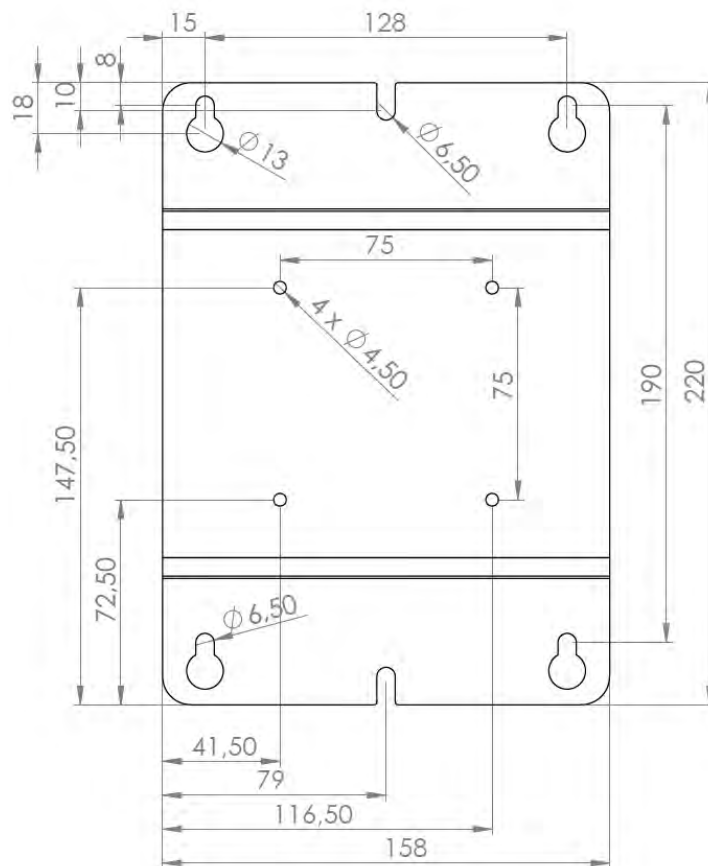
K-DUCER units are compatible with any of the KDS electric screwdrivers with torque and angle transducer, available in straight, pistol and fixture configuration.

Code	Model	Torque (Nm)	Speed (rpm)	
			Min	Max
175015	KDS-MT1.5	0.1 - 1.5	50	850
175015/ESD	KDS-MT1.5/ESD	0.1 - 1.5	50	850
175016/ESD	KDS-MT1.5P	0.1 - 1.5	50	850
175016/U/ESD	KDS-MT1.5P/U	0.1 - 1.5	50	850
175115	KDS-MT1.5CA	0.1 - 1.5	50	850
175115/FN	KDS-MT1.5CA/FN	0.1 - 1.5	50	850
175015/A	KDS-MT1.5ANG	0.1 - 1.5	50	850
135006	KDS-PL6	0.5 - 6	50	850
135006/ESD	KDS-PL6	0.5 - 6	50	850
135007/ESD	KDS-PL6P	0.5 - 6	50	850
135007/U/ESD	KDS-PL6P/U	0.5 - 6	50	850
135106	KDS-PL6CA	0.5 - 6	50	850
135106/FN	KDS-PL6CA/FN	0.5 - 6	50	850
135006/A/ESD	KDS-PL6ANG	0.5 - 5.5	50	850
135010	KDS-PL10	0.8 - 10	50	600
135010/ESD	KDS-PL10	0.8 - 10	50	600
135011/ESD	KDS-PL10P	0.8 - 10	50	600
135011/U/ESD	KDS-PL10P/U	0.8 - 10	50	600
135110	KDS-PL10CA	0.8 - 10	50	600
135110/FN	KDS-PL10CA/FN	0.8 - 10	50	600
135010/A/ESD	KDS-PL10ANG	0.8 - 9	50	600
135015	KDS-PL15	0.5 - 15	50	320
135015/ESD	KDS-PL15	0.5 - 15	50	320
135016/ESD	KDS-PL15P	0.5 - 15	50	320
135016/U/ESD	KDS-PL15P/U	0.5 - 15	50	320
135115	KDS-PL15CA	0.5 - 15	50	320
135115/FN	KDS-PL15CA/FN	0.5 - 15	50	320
135015/A/ESD	KDS-PL15ANG	0.5 - 12	50	320
135020	KDS-PL20	2 - 20	20	210
135120	KDS-PL20CA	2 - 20	20	210
135120/FN	KDS-PL20CA/FN	2 - 20	20	210
135030/ANG	KDS-PL30ANG	3 - 30	20	140
135035	KDS-PL35	3 - 35	20	140
135135	KDS-PL35CA	3 - 35	20	140
135135/FN	KDS-PL35CA/FN	3 - 35	20	140
135045/ANG	KDS-PL45ANG	4 - 45	20	90
135050	KDS-PL50	5 - 50	20	90
135150	KDS-PL50CA	5 - 50	20	90
135150/FN	KDS-PL50CA/FN	5 - 50	20	90
135070/ANG	KDS-PL70ANG	7 - 70	20	50

# INSTALLATION

## Installation of KDU-1A unit

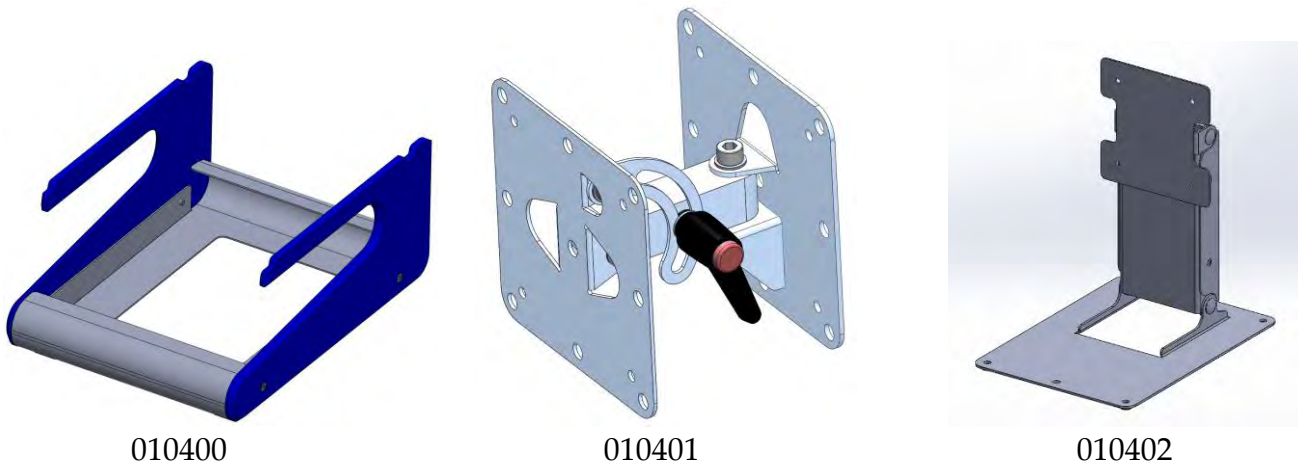
The K-DUCER is supplied with the following mounting bracket (all dimensions reported in mm):



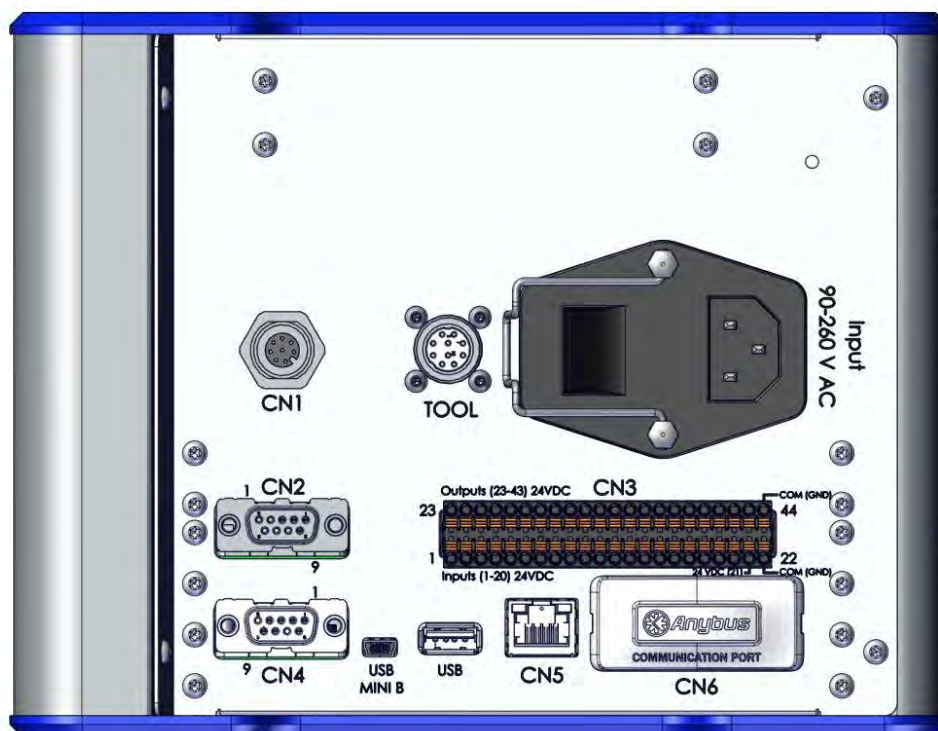
The bracket should be fixed to the four provided 8mm depth female threads on the back panel using the provided M4x8 screws.

Also available separately:

- fixed table stand (part number 010400)
- vertically and horizontally adjustable bracket (part number 010401)
- swivel table stand (part number 010402)



## Connectors



## **TOOL connector**

To connect a KDS series screwdriver. Take care to respect the alignment tabs on the connector. See [Installation of KDS screwdriver](#) section for instructions on connecting the screwdriver.

## **CN1 connector**

Reserved for servicing the unit and upgrading the firmware.

## **CN2 male serial connector**

To connect with a compatible barcode scanner, such as Kolver Barcode P/N 020050, serial printers such as Kolver PRNTR1, or serial terminals (PC/PLCs).

## **CN4 female serial connector**

To connect with Kolver accessories SWBX88/CBX880, serial printers such as Kolver PRNTR1, or serial terminals (PC/PLCs).

## **CN3 I/O connector**

To connect with 24V I/O functionality such as PLCs, pedals/buttons, LEDS, etc. Refer to the [REMOTE CONTROL INTERFACES](#) chapter.

## **CN5 ethernet connector RJ45**

To connect using MODBUS TCP, Open Protocol, ToolsNet, or K-Expand from a PLC, PC, or server. Refer to the [REMOTE CONTROL INTERFACES](#) chapter.

## **USB mini B**

To connect using K-Expand software. Refer to the [K-EXPAND software](#) chapter.

## **USB A**

Plug in a FAT32 formatted flash drive to automatically save screwdriving results and backup all settings. Refer to the [Retrieving and storing the screwdriving results](#) and [USB menu](#) sections.

# **Installation of KDS screwdriver**

## **Cable connection and part numbers**

The KDS screwdriver series require one of the following cables:

- 2.5m male/female cable (code 250064)
- 2.5m male/female cable with strain relief (code 250064/H)
- 5.0m male/female cable (code 250564)
- 5.0m male/female cable with strain relief (code 250564/H)

To connect the screwdriver to the unit:

1. insert the male connector into the appropriate TOOL connector on the bottom of the unit, taking care to respect the alignment tabs. Push the connector into its position and turn the OPEN/CLOSE nut clockwise until it clicks\*
2. insert the female connector into the appropriate connector at the top of the screwdriver, taking care to respect the alignment tabs. Push the connector into its position and turn the OPEN/CLOSE nut clockwise until it clicks\*



To disconnect the cable:

1. push the connector in lightly towards the screwdriver or the unit
2. turn the OPEN/CLOSE nut counterclockwise\*
3. pull the connector out

\*note: some models use a threaded nut instead of an OPEN/CLOSE nut. In this case, tighten the nut all the way until it stops, without overtightening with excessive force.

## Installation of reaction arm

Note: a reaction arm is ALWAYS required for KDS screwdrivers size 20Nm and above. Kolver recommends always using a reaction arm for operator comfort, especially for applications with torques above 5 Nm.

Fix the reaction arm to the indicated areas only.

KDS series screwdrivers sizes 15Nm and below have two positions designed for connecting to the reaction arm:

1. The naked metal cylinder near the head of the screwdriver
2. The reinforced plastic section at the very top of the screwdriver (not present on the pistol-shaped version)

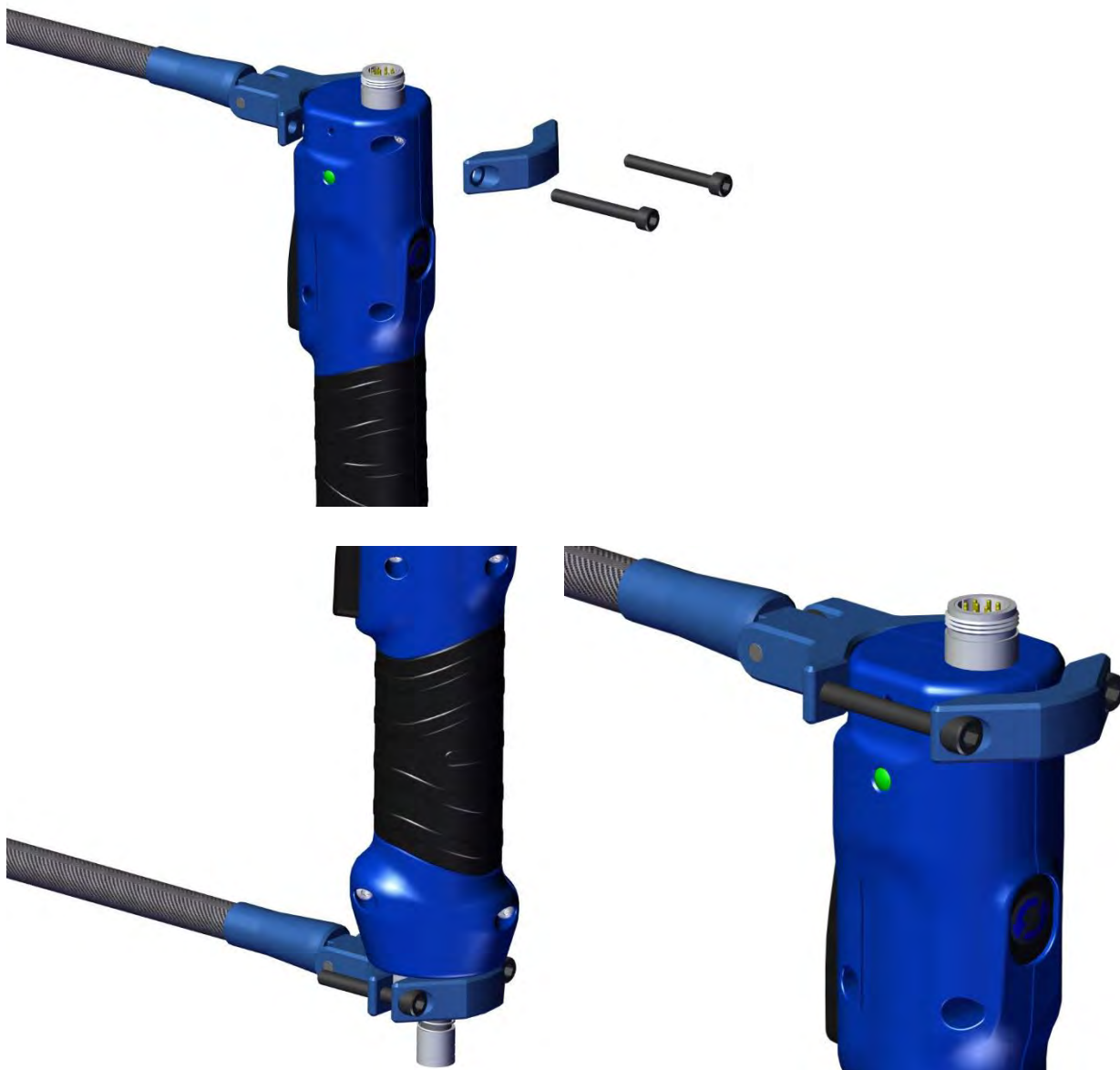
KDS series screwdrivers sizes 20Nm and above have only one position designed for connecting to the reaction arm:

1. The naked metal cylinder near the head of the screwdriver

KDS series screwdrivers sizes 20Nm and above also provide four threaded M4 holes for fixing to a custom assembly.

**Warning:** do not connect the reaction arm anywhere other than the above designated areas. Fixing the reaction arm to the middle of the screwdriver handle will squeeze the screwdriver shell, causing damage to the internal components, and failing to absorb the torque reaction safely and reliably.

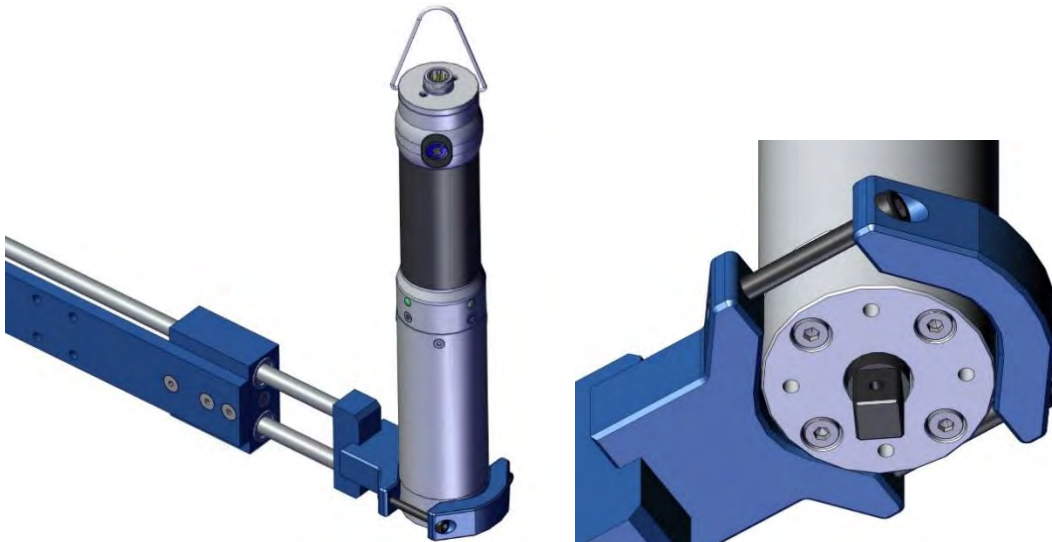
Reaction arm connection for KDS series screwdrivers 15Nm and below:



CA automation versions:



Reaction arm connection for KDS series screwdrivers 20Nm and above:



CA automation versions:





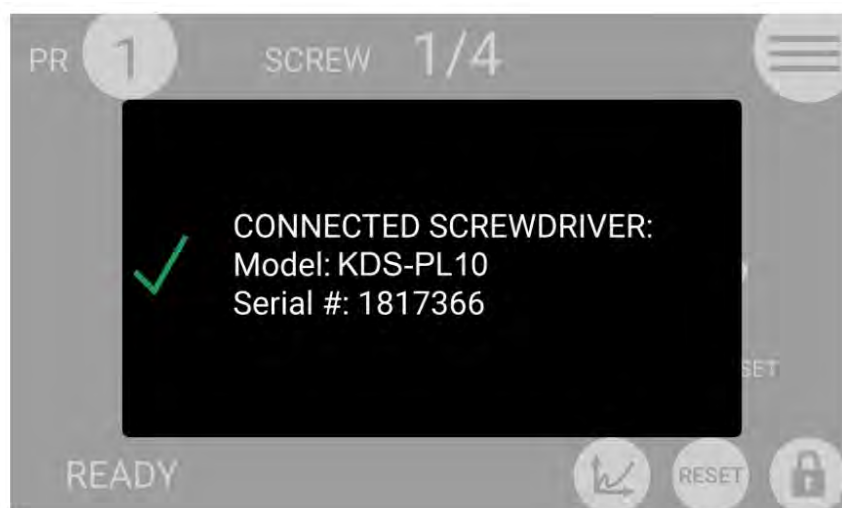
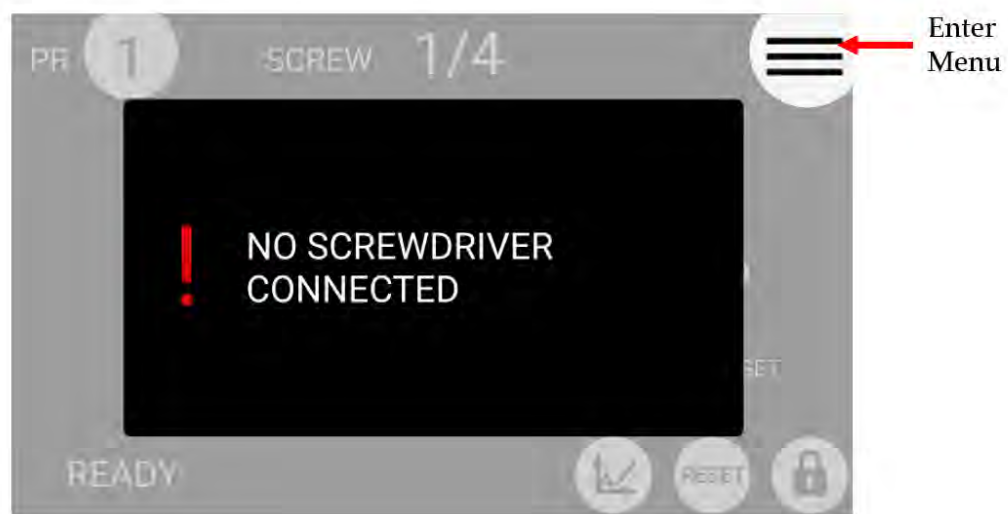
## QUICK START

Turn the unit on through the on/off switch on the lower panel. The unit will carry a general system check and the words "NO SCREWDRIVER CONNECTED" will appear if no screwdriver is connected.

You can still enter the main menu without any screwdriver connected.

When a screwdriver is connected, it will be recognized by the unit and the "CONNECTED SCREWDRIVER" screen will appear for a few seconds, also showing the model and serial number.

All information pertaining to the connected screwdriver can also be retrieved in the General Settings menu.



If the parameters set in the current program are outside the allowable range of the connected screwdriver, the following screen will appear:



To resolve the error, select a program previously configured for the connected screwdriver model, or enter the main menu to modify the parameter out of range for the current program.

The “Program parameter error” messages can be the following:

TorqueTargOverMax	Target torque higher than the allowed limit for the screwdriver.
SpeedTargOverMax	Target speed higher than the limit allowed for the screwdriver.
SpeedTargUnderMin	Target speed less than the limit allowed for the screwdriver.
DownshiftTorqueOverTarg	The fast phase torque setting is higher than the final target torque.
DownshiftSpeedOverMax	The speed of the fast phase of this program is higher than the maximum allowed by the screwdriver.
DownshiftSpeedUnderMin	The speed of the fast phase of this program is less than the minimum allowed by the screwdriver.
DownshiftSpeedUnderFinalSpeed	The speed of the fast phase is lower than the final speed (slow phase speed).
DownshiftInsideRunningTorque	The Downshift Threshold falls inside the Running Torque Window.
TorqueMaxOverMaxLim	The Torque Target or Torque Max values are higher than the limit for the connected screwdriver.

TorqueMaxUnderMinLim	In angle control: the maximum torque set in the program is equal or lower than the minimum limit of the screwdriver. In torque control: The maximum torque set in the program is equal or lower than the target torque already set.
TorqueMinOverMaxLim	In angle control: the minimum torque set in the program is equal or higher than the maximum torque already set. In torque control: the minimum torque set in the program is equal or higher than the target torque already set.
RevTorqueOverMax	The reverse torque of this program is higher than the maximum torque of the screwdriver.
RevSpeedOverMax	The reverse speed is higher than the maximum allowed by the screwdriver.
RevSpeedUnderMin	The reverse speed is lower than the minimum allowed by the screwdriver.
RunningTorqueOverMax	In running torque – compensate mode, the sum of the max running torque and the target torque is higher than the maximum torque of the screwdriver. In running torque – monitor mode, the max running torque is higher than the maximum torque of the screwdriver.

If the connection with the screwdriver is successful, the main screen will be displayed, and the screwdriver will be ready for work.

Connect a thumb drive on the USB-A port (the larger USB port) to automatically save each screwdriving result.

## TERMINOLOGY

**KDU/K-DUCER/control unit:** the KDU1 / KDU1A control unit

**KDS/screwdriver:** the transducerized screwdriving tool to be used with the KDU control unit

**Transducer:** electronic component installed inside the KDS screwdriver which measures the torque in real time

**Tightening:** the screwdriving cycle, from start (pressing of the lever or initiating remote lever control), to finish (automatic motor stop or lever or remote lever control release, whichever happens first)

**Rundown:** the portion of the tightening cycle before reaching the seating point (the point where the screw or bolt head touches the assembly)

**Seating point:** the point of the tightening at which the head of the fastener touches the assembly, marked by an increase in the torque rate (steeper torque-angle slope) and marking the end of the rundown phase.

**Torque:** rotational force

**Closing torque:** the last torque value measured when the screwdriver motor stopped or when the screwdriver lever or remote lever control was released.

**Running torque:** the peak or average torque value encountered during the rundown phase, before reaching the seating point.

**Clamping torque:** the closing torque minus the running torque. This is, theoretically, the only portion of the closing torque that generates a clamping force from the fastener.

**Target torque:** the closing torque that the system will target (torque control mode only), resulting in a "Screw OK" result if successful. In Running Torque – Compensate mode, the system targets a **Clamping torque** equal to the target torque, instead of a closing torque.

**Prevailing torque:** an optional phase of the tightening during which the applied torque is allowed to reach the maximum torque achievable by the screwdriver.

**Torque control mode:** a tightening where the screwdriver motor automatically stops upon reaching the target torque

**Angle:** the revolutions of the tip of the screwdriver, in degrees. The starting point of the angle measurement depends on the settings chosen.

**Target angle:** the angle measurement upon which the screwdriver motor will stop (angle control mode only), resulting in an “Angle OK” result if successful

**Angle control mode:** a tightening where the screwdriver motor automatically stops upon reaching the target angle

**Run time:** the duration of the tightening, in seconds

**Run time mode:** a tightening where the screwdriver motor automatically stops at the desired run time

**Program/batch:** a set of one or more screws sharing the same parameters (torque, angle, speed, barcode, etc)

**Program number:** the identifier of one of the 64 configurable programs (1 to 64)

**Current program:** the program currently selected for tightening

**Program mode:** in this mode, the unit works according the selected program

**Sequence/Job:** an ordered set of up to 16 programs, with the option to define how to transition between programs

**Sequence letter/number:** the identifier of one of the 8 configurable sequences (A to H)

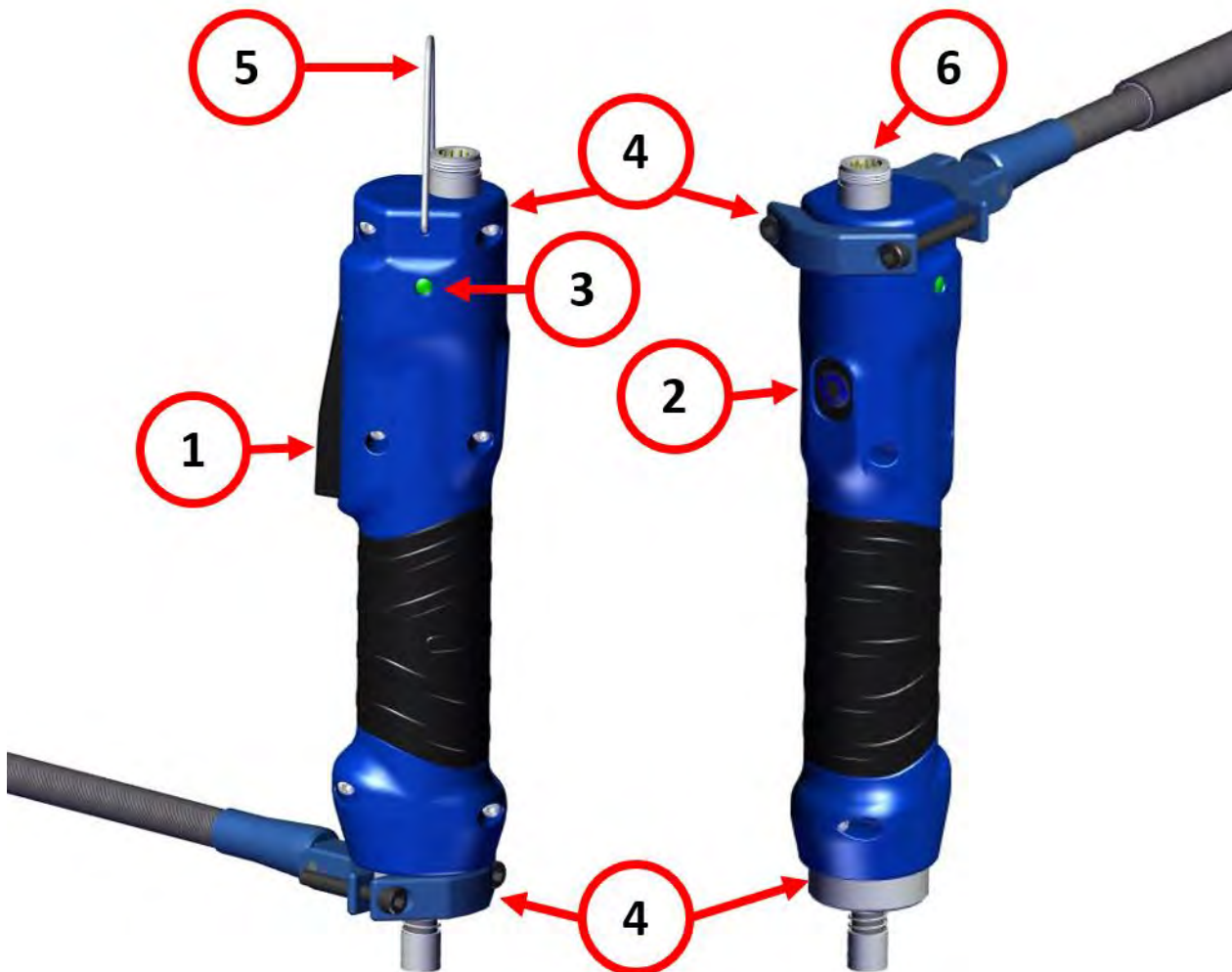
**Current sequence:** the sequence currently selected for tightening

**Sequence mode:** in this mode, the unit works according to the selected sequence

**OK/NOK:** the result of the tightening. OK: tightening finished respecting all of the configured parameters. NOK: tightening finished without respecting one or more of the configured parameters.

**Running torque mode:** an optional phase of the tightening during which the peak or average torque value is measured, and then added to the torque target in real time for the current tightening.

## OPERATING THE KDS SCREWDRIVER



**Warning:** Kolver strongly recommends using a reaction arm when applying torques greater than 5 Nm. Using KDS screwdrivers sizes 20Nm and above without a reaction arm or with an improperly sized reaction arm may result in severe injury or death.

### (1) Lever

Press and hold the lever to initiate a tightening.

The screwdriver will automatically stop according to the configured program, in either an OK or a NOK state, depending on the success of the tightening.

The screwdriver will also stop if the lever is released in the middle of the tightening, and either return to the READY state or raise the NOK state if the LEVER ERROR option is active for the current program (Programs menu > Other > [LEVER ERROR](#)).

Note: KDS series screwdrivers sizes 20Nm and above provide a “START” button instead of a lever. The functionality remains the same.








### (2) Reverse button

Press and hold the button to initiate a defix run, rotating in the opposite direction of the selected direction of rotation for the lever (see Programs menu > Other > [ROTATION](#) ).

The behavior of the reverse button can be changed from the general settings menu (General Settings > [REVERSE BUTTON](#)).

### (3) LEDs

The two LEDs indicate the state of the screwdriver:

	Blinking white: the screwdriver was just connected to the K-DUCER control unit
	Off: the screwdriver is ready, or the screwdriver is not connected
	Solid green: the last screw result was OK
	Solid red: the last screw result was NOK
	Solid blue: screwdriver is running in the tightening direction, either via the lever or via remote control
	Solid purple: the screwdriver is running in the de-fix direction, either via the reverse button, or via remote control
	Blinking purple: the reverse button is in switch mode and is activated. The screwdriver is ready to run in de-fix rotation via the main lever.

### (4) Reaction arm connections

Fix the reaction arm to one these areas only, and never anywhere else on the screwdriver.

Note: KDS series screwdrivers sizes 20Nm and above only provide the lower reaction arm connection area.

### (5) Hanging hook

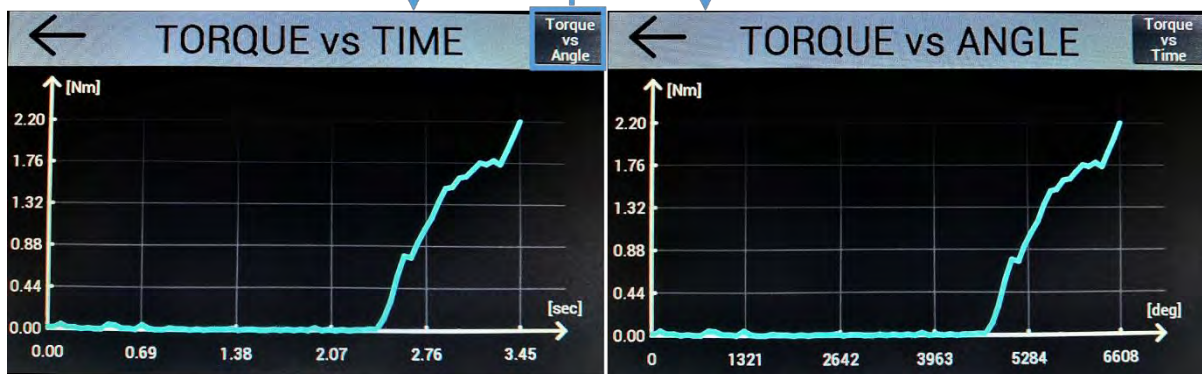
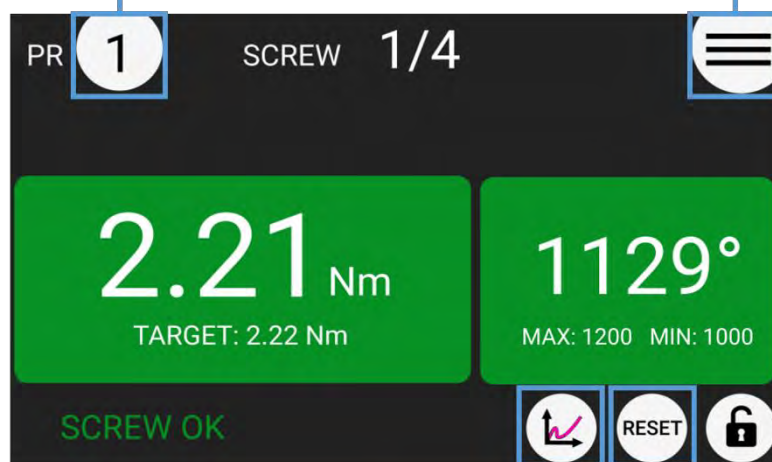
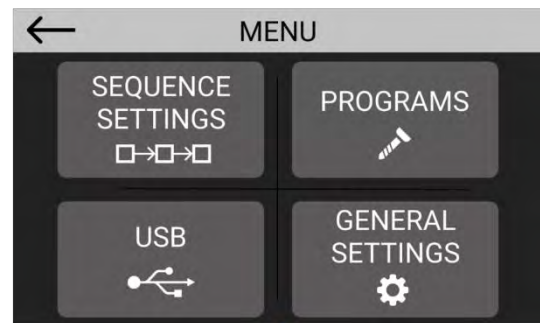
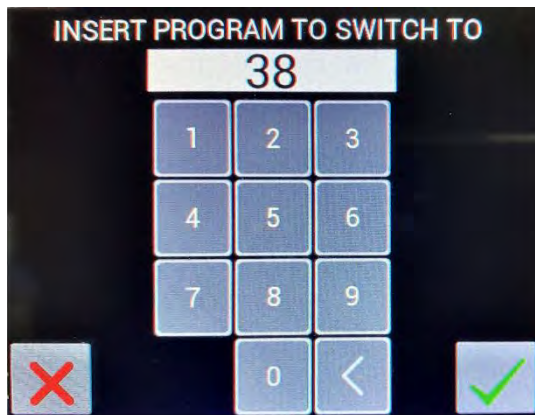
To hang the screwdriver somewhere easily accessible in the operator's workbench.

### (6) Female connector

To connect the screwdriver to the K-DUCER control unit

# OPERATING THE K-DUCER CONTROL UNIT

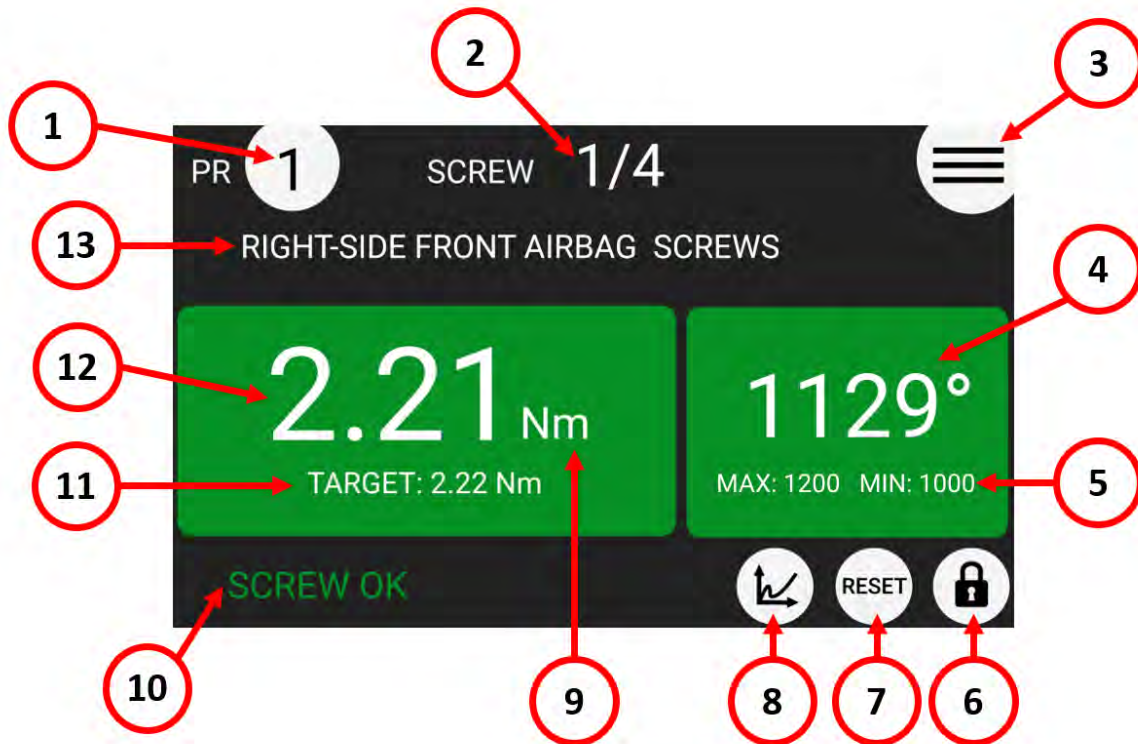
## Main Screen – Program Mode – navigation tree



(see [Torque and Angle graphing](#) for more information)



## Main Screen – Program Mode



**(1) Program (“PR”) number currently selected**

Touch to select a different program (1 through 64).

**(2) Screw count**

Counter: screws successfully completed / number of screws in current program

Note: does not appear if NUMBER OF SCREWS parameter is set to zero. Number of screws is also referred to as “batch size” in the industry.

**(3) Main Menu Button (≡)**

Tap to enter the main menu

**(4) Angle value**

Measured angle value for last screw, in degrees.

**(5) Angle target / bounds**

Shows the target angle when in angle control mode, or the min/max angle bounds when in torque control mode or timed tightening mode, for the current program, in degrees.

**(6) Menu lock status**

White background means no password is required to access the configuration menu.

Red background means the configuration menu is password protected.

**(7) Reset (“RST”) button**

Screw/Program/Sequence Reset (“RST”) button. Presence and function of this button depend on the corresponding settings in the GENERAL SETTINGS menu.

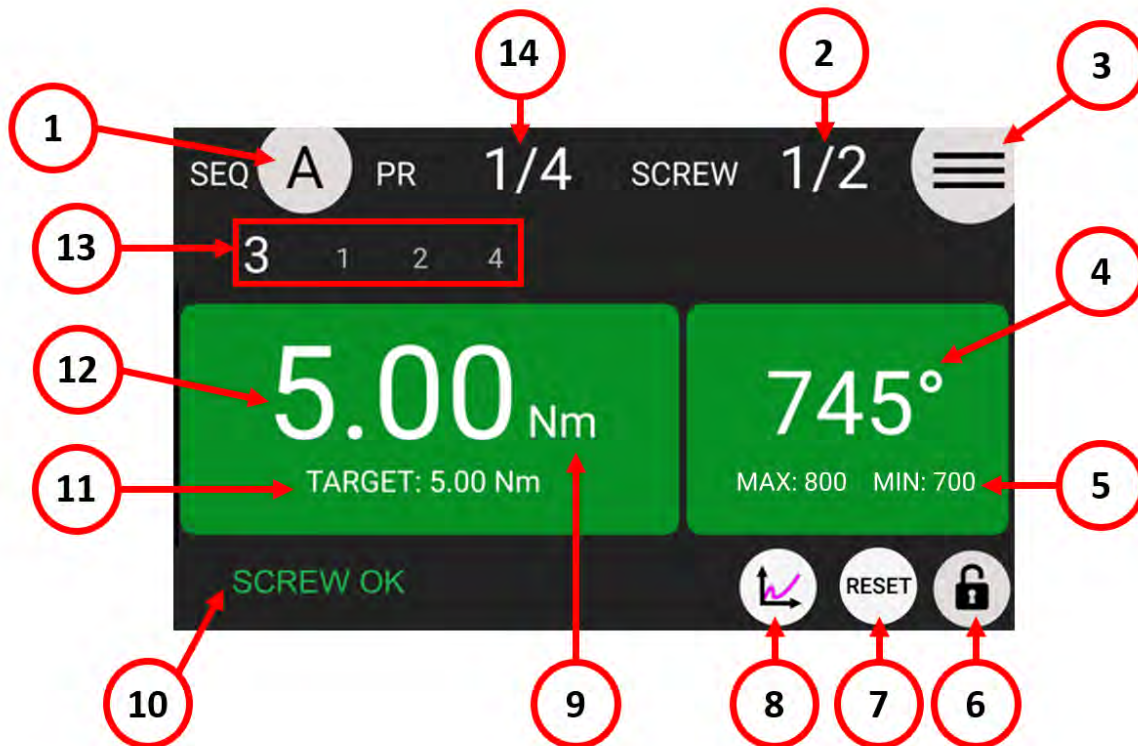
- (8) Torque charts**  
Tap to display the Torque-time and torque-angle charts for last screw. Refer to [Torque and Angle graphing](#) for usage.
- (9) Torque measurement unit**  
You can select a different unit from the GENERAL SETTINGS menu.
- (10) Status bar**  
Shows the last screw result or error messages (ready, screw OK, screw NOK, errors).
- (11) Torque target / bounds**  
Shows the target torque when in torque control mode, or the min/max torque bounds when in angle control mode or timed tightening mode, for the current program.
- (12) Torque value**  
Measured torque value applied to the last screw.
- (13) Program description**  
Shows the description for the current program. You can enter a description for the current program via Programs Menu > Other > [DESCRIPTION](#).

## Main Screen – Sequence Mode – navigation tree



(see [Torque and Angle graphing](#) for more information)

## Main Screen – Sequence Mode



**(1) Sequence (“SEQ”) currently selected**

Touch to select a different sequence (A through H).

**(2) Screw count**

Counter: screws successfully completed / number of screws in current program

Note: does not appear if NUMBER OF SCREWS parameter is set to zero. Number of screws is also referred to as “batch size” in the industry.

**(3) Main Menu Button (≡)**

Tap to enter the main menu

**(4) Angle value**

Measured angle value for last screw, in degrees.

**(5) Angle target / bounds**

Shows the target angle when in angle control mode, or the min/max angle bounds when in torque control mode or timed tightening mode, for the current program, in degrees.

**(6) Menu lock status**

White background means no password is required to access the configuration menu.

Red background means the configuration menu is password protected.

**(7) Reset (“RST”) button**

Screw/Program/Sequence Reset (“RST”) button. Presence and function of this button depend on the corresponding settings in the GENERAL SETTINGS menu.

- (8) Torque charts**  
Tap to display the Torque-time and torque-angle charts for last screw. Refer to [Torque and Angle graphing](#) for usage.
- (9) Torque measurement unit**  
You can select a different unit from the GENERAL SETTINGS menu.
- (10) Status bar**  
Shows the last screw result or error messages (ready, screw OK, screw NOK, errors).
- (11) Torque target / bounds**  
Shows the target torque when in torque control mode, or the min/max torque bounds when in angle control mode or timed tightening mode, for the current program.
- (12) Torque value**  
Measured torque value applied to the last screw.
- (13) Current and next program numbers in sequence**  
Shows the current program loaded in the sequence in larger font, and the following program numbers in the sequence.
- (14) Program count**  
Counter: programs successfully completed / number of programs in current sequence

## Torque and Angle graphing

The K-DUCER offers a powerful torque and angle graphing functionality, which can be used to study the characteristics of your fastening joint and optimize the [PROGRAMS menu](#) settings to maximize precision while minimizing assembly cycle time.

The Torque and Angle graphing data for each tightening can also be saved with the screwdriving results, refer to the [Retrieving and storing the screwdriving results](#) section for more information.

### Visualizing the Torque and Angle charts

To open the Torque and Angle graph screen, simply tap the graph icon on the bottom right of the screen, after a tightening.

To switch between the “Torque vs Time” and the “Torque vs Angle” graph, tap on the button on the top right of the graph screen.

You can only visualize the graph corresponding to the last tightening, however, the torque and angle graphing for each tightening can be automatically stored to a USB drive or to a networked PC as described in the [Retrieving and storing the screwdriving results](#) section.



## Interpreting the Torque and Angle charts

The “Torque vs Time” graph shows the torque measured by the screwdriver starting from the moment the lever is pressed (or a remote-lever command is received) up to the moment the tightening finishes correctly in an error condition (such as “Torque Over Max”).

The Y-Axis represents the torque data, in the [MEASUREMENT UNITS](#) selected. The X-Axis represents the time, in seconds, or, in the case of the Torque vs Angle chart, the **angle of revolution**, in degrees, always starting from the moment that the lever is pressed and ending at the moment the tightening finished.

The maximum Y-Axis tick shown on the Y-Axis always corresponds to the **maximum torque** measured during the tightening. In those situations where the **maximum torque** is not equal to the **final torque**, the **final torque** value will be annotated next to the final point of the torque graph.

When the Angle Count [STARTING AT](#) setting is set to “Ext” or to a non-zero Torque Threshold, the torque graph will change color and the **torque** value at which the angle count was triggered will be displayed on the screen.



The graphs illustrated here were produced with a KDS-PL6/ESD screwdriver running on Kolver joint simulator (part number 240600) arranged in the semi-elastic configuration. We supplied additional hand-resistance to generate the “starting at” threshold.

## Torque and Angle charts with Running Torque

When utilizing the [RUNNING TORQUE](#) feature, the graph will highlight the Running Torque [WINDOW](#) in purple.

The average or peak running torque value will also be displayed on the screen, depending on the selected setting.

The total torque value will be highlighted on the graph, next to the final point of the torque trace, and the “clamping torque” will be displayed in green (for OK results) or in red (for NOK results) as well.

The “clamping torque” in this case refers to the total torque minus the running torque value.

When the Angle Count [STARTING AT](#) setting is set to “Ext” or to a non-zero Torque Threshold, the torque graph will change color and the **torque** value at which the angle count was triggered will be displayed on the screen.



The graphs illustrated here were produced with a KDS-PL6/ESD screwdriver running on Kolver joint simulator (part number 240600) arranged in the semi-elastic configuration. We supplied additional hand-resistance to generate a non-zero “running torque” value and “starting at” threshold for illustration purposes.



## Generating the Torque and Angle graphs from CSV data

To generate the Torque vs Time, Torque vs Angle, and Angle vs Time graphs from the CSV files saved by the controller on the USB drive (or by the K-Expand or K-Link software), open the file with your preferred spreadsheet program.

The entire torque and angle graph data for each result is contained in that result's row.

The data should be interpreted as follows:

**Column AH:** the torque units for the torque graph data. They are either mNm (milli-Newton-meter) or cNm (centi-Newton-meter), irrespective of the measurement unit chosen in the controller.

**Column AI:** the time interval between each torque data point, in milliseconds

**Column AJ – DA:** up to 70 torque data points, first to last. The first is at time zero, and each following point is equally spaced in time intervals equal to the value in column AI

**Column DB:** the time interval between each angle data point, in milliseconds. This always equals the value in column AI

**Column DC – FT:** up to 70 angle data points, in degrees, first to last. The first is at time zero, and each following point is equally spaced in time intervals equal to the value in column DB.

The angle data for the graph is always reported from the moment the tightening starts, irrespective of the Angle STARTING AT setting.

To generate a torque vs angle graph in accordance with the angle STARTING AT setting, subtract from each angle data point the value of the angle in column X

**Column X:** the angle, in degrees, at which the angle STARTING AT setting was triggered, counted starting from the moment the tightening starts. Use to pinpoint the angle count starting point, whenever the angle STARTING AT setting is not set to lever or zero.

To graphs the data, then, in a new spreadsheet generate a column of 70 time points (in rows), starting from the value in column AI, and adding the value AI to each subsequent row. This will be the x-axis data for the time graphs.

Then, paste the transpose of columns DC-FT next to the time column. This will be the y-axis data for the angle vs time graph, and the x-axis data for the torque vs angle graph.

Then, paste the transpose of columns AJ-DA next to the angle column. This will be the y-axis data for the torque vs time and torque vs angle graphs.

## Determining the joint type

Understanding the characteristics of your joint type is critical to maximize the precision of the K-DUCER system, minimize the wear-and-tear on the tool, and minimize the assembly cycle time for your application.

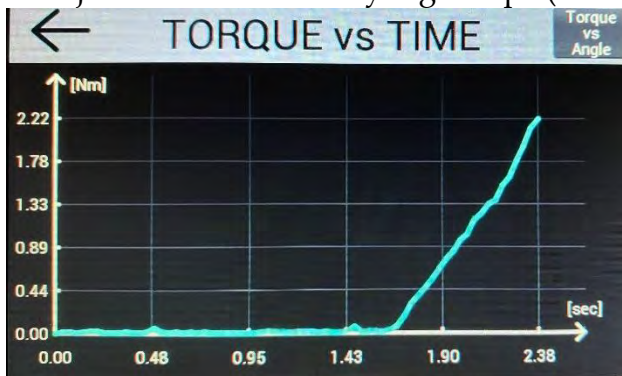
According to the ISO standard 205393:2017, the types of joints found in practice will fall in between these two “extreme” definitions:

1. Soft, elastic, low torque-rate joint: after the fastener is seated, the tightening reaches its target torque in more than one full revolution ( $> 360^\circ$ ).  
Examples: plastic screws; fasteners with split washers; self-threading fasteners.
2. Hard joint, inelastic joint, or high torque-rate joint: after the fastener is seated, the tightening reaches its target torque in a fraction of a revolution ( $< 30^\circ$ ).  
Examples: metal screws on metal socket with simple washer.

Seating indicates the point at which the underside of the screw or bolt **head** touches the socket, after the rundown phase.

A simple approach to determine the joint type is to perform a tightening of your fastener with the K-DUCER and observe the slope of the Torque vs Time graph.

A soft joint will show a moderate slope from the seating point to the final torque, while a hard joint will show a very high slope (almost vertical).



Left picture: Torque vs Time graph for a soft joint, generated using a KDS-PL6/ESD on Kolver joint simulator 240600.

Right picture: Torque vs Time graph for a hard joint, generated using a KDS-PL6/ESD on a metal screw with non-locking washer on a threaded metal socket.

Also refer to the [SELECTING THE APPROPRIATE SETTINGS](#) section.

## Determining the appropriate program settings

The K-DUCER is a highly accurate system, but it is critically important to select the appropriate settings to ensure that the desired torque is correctly applied, and that the screwdriver motor works effectively and efficiently.

Determining the appropriate program settings for your application requires careful consideration and is ideally done by a trained engineer with knowledge of the torque specifications and of the mechanical characteristics of the assembly joint.

Please take advantage of the free support provided by your Kolver representative throughout this process.

What follows are some general guidelines, but they are not meant to substitute a careful examination of the application. Each application is unique and may require significant deviations from these guidelines.

These guidelines are always superseded by the specifications of the assembly joint and by all safety requirements of the operator and work environment.

Kolver is not responsible for damages or injuries resulting from following these guidelines.

### Hard/inelastic joints

These joints are best finished at low speed, to improve precision and avoid a high velocity impact at the end of the tightening.

Choose a low [FINAL SPEED](#) such as 100 RPM\*, and if desired, use a two-speed approach by activating the [DOWNSHIFT](#) setting using either an angle threshold or a torque threshold equal to 20-50% of the target torque.

The lower the torque target is relative to the range of the screwdriver, the higher the effect of motor inertia will be, requiring a lower final speed to avoid overshooting.

### Soft/elastic joints

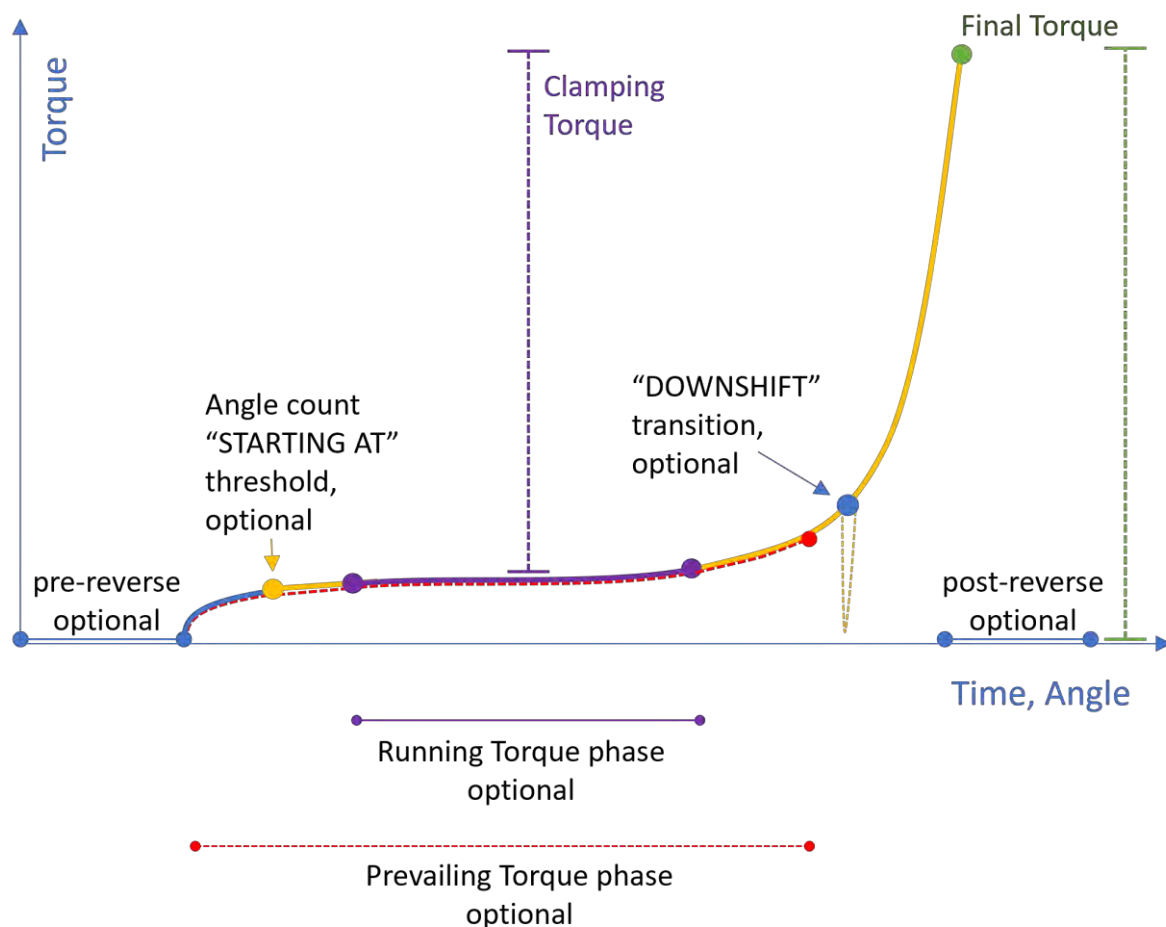
These joints are best executed at high speed, to avoid exposing the motor to a prolonged time-under-tension and [overheating the tool](#).

Choose a higher [FINAL SPEED](#) for these joints, and if a two speed approach is required, activate the [DOWNSHIFT](#) setting using either an angle threshold or a torque threshold of at least 80% of the target torque to ensure most of the torque is applied at higher speed.

Very elastic joints, or semi-elastic joints with a high target torque relative to the range of the screwdriver, may benefit from a higher [FINAL SPEED](#) and from avoiding the use of the [DOWNSHIFT](#) function altogether.

\*for KDS-PL15 and smaller high-speed drivers. Use a lower speed for higher torque tools.

## Screwdriving Phases



● All colored circles in the diagram above represent configurable targets or thresholds.

Phase	Speed	Halting Torque	Halting Angle
<b>Pre-reverse</b>	Reverse speed	Reverse Torque	Pre-reverse setting
<b>Prevailing Torque</b>	Tightening speed*	Highest torque achievable by KDS screwdriver	Max angle (TC) Target angle (AC)
<b>Running Torque</b>	Tightening speed*	Target torque (TC) Max torque (AC)	Max angle (TC) Target angle (AC)
<b>Tightening</b>	Tightening speed*	Target torque** (TC) Max torque (AC)	Max angle (TC) Target angle (AC)
<b>Post-reverse</b>	Reverse speed	Reverse Torque	Post-reverse setting

TC = Torque Control Mode (i.e., Torque Targeting Mode)

AC = Angle Control Mode (i.e., Angle Targeting Mode)

\* the tightening speed is equal to the [FINAL SPEED](#) after the Downshift threshold or if the [DOWNSHIFT](#) function is OFF, otherwise it is equal the DOWNSHIFT RPM setting

\*\* plus the running torque value, if Running Torque Compensate mode is enabled

## Retrieving and storing the screwdriving results

There are several ways to store and retrieve the results and torque/angle graphs of each tightening:

### Via MODBUS TCP or Open Protocol (CN5)

Refer to the [MODBUS TCP](#) section. Kolver also provides ready-to-use Python, C#, and PowerShell scripts to retrieve and save the screwdriving results that can be run on a PC computer or server, included in the [MODBUS TCP code examples and literature](#) packet.

### Via free Kolver software (mini-USB or ethernet CN5)

Refer to the [FREE K-EXPAND AND K-LINK SOFTWARE](#) section.

### On USB flash drive (USB-A)

Simply connect a FAT32-formatted USB drive on the USB-A connector.

The K-DUCER will create a folder named as the serial number of the connected screwdriver.

Inside this folder, the K-DUCER will save the results of each tightening inside a CSV or TXT file (see [RESULTS FORMAT](#) setting).

The name of the file will be the date (YYMMDD) of the first tightening contained, and a new file will be created for each day.

### Via serial printer or serial terminal (CN2 or CN4)

You can connect to CN2/CN4 with a serial printer (for example Kolver model PRNTR1) or with any serial terminals, for example Hyper Terminal, Realterm, or K-Expand for PC, to print the results of each tightening.

The print string is automatically transmitted at the end of each tightening.

The serial connection parameters must be:

RS232 – 9600 baud – 8 data bits – 1 stop bit – no parity

### Data format for the screwdriving results

With the [RESULTS FORMAT](#) option set to “CSV” (recommended), the print string contains the following data:

Section	Description
<b>Barcode</b>	Printout of the scanned barcode. In dual barcode modes, only the serial number barcode is printed.

<b>Result</b>	OK or NOK depending if tightening completed respecting the configured parameters
<b>Program</b>	The program number used for the tightening
<b>Program Description</b>	The program description
<b>Model</b>	The screwdriver model used for the tightening
<b>Serial Nr</b>	The serial number of the screwdriver
<b>Target</b>	The target torque or angle value
<b>Target units</b>	The measurement units of the target value
<b>Duration</b>	The duration of the tightening in seconds
<b>Final Speed</b>	The closing speed of the tightening
<b>OK Screw count</b>	Number of successfully tightened screws inclusive of the last one. Does not increment for NOK screw results.
<b>Number of screws</b>	Total number of screws in program
<b>Sequence</b>	Current sequence
<b>Seq. program index</b>	Positional index of the current program within the sequence (1 to 16)
<b>Seq. program qty</b>	Total number of programs within the current sequence (1 to 16)
<b>Torque result</b>	Final torque of the tightening. Note: with "running torque", this value corresponds to the "clamping torque", and not to the total final torque.
<b>Peak Torque</b>	The maximum torque measured at any point during the tightening
<b>Running Torque Mode</b>	0 = Off, 1 = Time Window with Average Value, 2 = Time Window with Peak Value, 3 = Angle Window with Average Value, 4 = Angle Window with Peak Value. 5-8: same as 1-4, for Monitoring mode.
<b>Running Torque</b>	Average or peak running torque value calculated during the tightening
<b>Total torque</b>	Final total torque. For tightening with running torque mode on, this equals the "final torque" ("clamping torque") value plus the calculated "running torque" value.
<b>Angle result</b>	Final angle of the tightening, in accordance with the "angle start at" setting.
<b>Angle start at mode</b>	0 = Lever, 1 = External Input, 2 = Torque Threshold
<b>Angle start at torque target</b>	Torque target for "Angle start at mode" = 2
<b>Angle start at angle value</b>	Rotational angle, starting from the moment the lever was pressed, at which the angle count started, for "Angle start at mode" = 1 or = 2
<b>Downshift Mode</b>	0 = Off, 1 = Torque Threshold, 2 = Angle Threshold
<b>Downshift Speed</b>	Initial speed of the tightening (rundown speed)
<b>Downshift Threshold</b>	Torque or angle threshold, for "Downshift Mode" = 1 or = 2

<b>Torque Units</b>	The measurement units for all torque values reported
<b>Angle Units</b>	The measurement units for all angle values reported
<b>Speed Units</b>	The measurement units for all speed values reported
<b>Time Units</b>	The measurement units for all time values reported
<b>Date-time</b>	Date and time at which the tightening ended
<b>Notes or Errors</b>	Notes such as “PROGRAM END” for OK results, or error details such as “Err Angle Max” for NOK results
<b>Torque and Angle graph data</b>	143 columns containing the torque and angle graphs. See <a href="#">Generating the Torque and Angle graphs from CSV data</a>

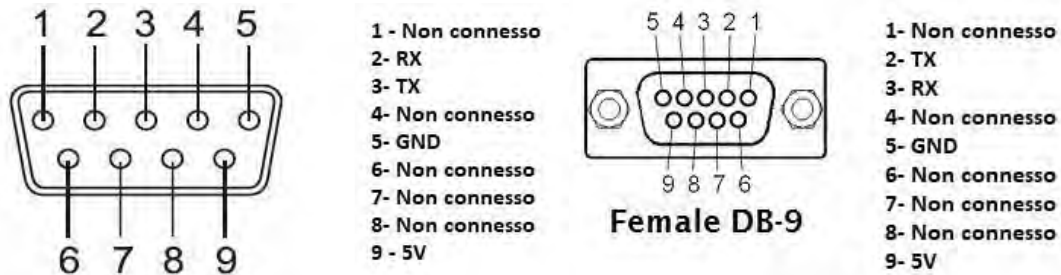
With the [RESULTS FORMAT](#) option set to “TXT” (legacy setting), the print string contains the following data:

<b>Section</b>	<b>Description</b>	<b>Example</b>
<b>Barcode</b>	Printout of the scanned barcode. In dual barcode modes, only the serial number barcode is printed.	BC: 7612320103052
<b>Result</b>	OK or NOK depending if tightening completed respecting the configured parameters	OK
<b>Program</b>	The program number used for the tightening	PR: 8
<b>Model</b>	The screwdriver model used for the tightening	KDS-PL10
<b>Serial Nr</b>	The serial number of the screwdriver	s/n: 1814914
<b>Target</b>	The target torque or angle	TARGET: 2.0Nm
<b>Screw Time</b>	The duration of the tightening in seconds	ST: 1.23
<b>Speed</b>	The closing speed of the tightening	S: 600rpm
<b>Screw count</b>	Number of <i>successfully</i> tightened screws / total number of screws in program	Screw: 1/8
<b>Sequence</b>	Current sequence and program within sequence (program is positional: current/total)	Seq: 1/3
<b>Torque</b>	Final torque of the tightening	T: 1.99Nm
<b>Angle</b>	Final angle of the tightening	A: 114deg
<b>Date-time</b>	Date time of the tightening	18/01/18 17.44.50
<b>Notes or Errors</b>	Notes such as “PROGRAM END” for OK results, or error details such as “Err Angle Max” for NOK results	PROGRAM END, <i>or</i> Err Angle Max

For example:

BC: 7612320103052 OK PR: 8 KDS-PL10 s/n: 1814914 TARGET: 2.0Nm ST: 1.23 S:600rpm Screw:1/8 Seq: A 1/1 T: 1.99Nm A: 114deg 18/01/18 17.44.50

NOK PR:26 KDS-MT1.5 s/n: 1964211 TARGET:10.00lbf.in ST: 10.166 S:300rpm Screw:0/7 Seq:1/1 T: 0.00lbf.in A: 20008deg 20/02/30 11.33.10 Err Angle Max



PIN	NAME	FUNCTION
2	RX	RS232 reception.
3	TX	RS232 transmission.
5	GND	Common to every input. Signals have to be enabled making contact between the desired signal and this pin (GND).
9	+5V	Not used

## Connecting a barcode scanner

The K-DUCER is compatible with RS-232 capable barcode scanners such as Kolver P/N 020050 (1D barcode scanner) and 020051 (2D barcode scanner).

Any barcode type supported by the scanner will work with the K-DUCER, but the total length of each barcode must be 16 characters or less for PROGRAM and SEQUENCE barcodes, or 63 characters or less for SERIAL NUMBER barcodes.

Connect the barcode scanner to the CN2 9-pin male serial connector. If using a 2D barcode scanner such as Kolver P/N 020051, you must also connect the external power supply included with the scanner.

The barcode scanner should be configured with the following serial connection parameters:

RS232 – 9600 baud – 8 data bits – 1 stop bit – no parity

For Kolver P/N 020051, this is done by scanning the included configuration barcode.

For other scanners, refer to their user manual.

**Note:** a SERIAL NUMBER barcode can also be transmitted via ethernet port through MODBUS TCP and OPEN PROTOCOL.

Once connected, select one of the five barcode modes to work with: see [BARCODE MODE](#).



## Connecting a bit-tray or switchbox (CBS880, SWBX88)

To utilize the accessories SWBX88 (switchbox) and CBS880 (socket tray) you'll need the M-F serial cable (code 881007) and the KIT KDU ADAPTER WITH SW AND CBS (code 010410). Connect and secure the adapter to the accessory, then the M-F 9-pin cable from the adapter to the CN4 connector on the K-DUCER:



The working mode of these accessories depends on the combination of the following settings:

[SEQUENCE toggle](#) - [SWBX88/CBS880](#) - [REMOTE PR](#) - [REMOTE SEQ](#)

as illustrated in the following table:

Program Mode ( <a href="#">SEQUENCE toggle</a> set to: OFF)	
	<a href="#">SWBX88/CBS880</a> set to: On Prog *
<a href="#">REMOTE PR</a> set to: SWBX/CBS	The bit lifted from the accessory (1-8) determines the program (1-64) selected on the controller. *
<a href="#">REMOTE PR</a> set to: any other setting	The program selected (1-64) on the controller determines the bit (1-8) that must be lifted on the SWBX/CBS accessory. (* and **)

Sequence Mode ( <a href="#">SEQUENCE toggle</a> set to: ON)		
	<a href="#">SWBX88/CBS880</a> set to: <b>On Prog *</b>	<a href="#">SWBX88/CBS880</a> set to: <b>On Seq</b>
<b><a href="#">REMOTE SEQ</a> set to: SWBX/CBS</b>	N/A (combination not available)	The bit lifted from the accessory (1-8) determines the sequence (A-H) selected on the controller.
<b><a href="#">REMOTE SEQ</a> set to: any other setting</b>	The current program within the selected sequence determines the bit that must be lifted on the SWBX/CBS accessory. (* and **)	The sequence selected (A-H) on the controller determines the bit (1-8) that must be lifted on the SWBX/CBS accessory. **

\* because the KDU controller supports up to 64 programs and the SWBX/CBS accessories only have 8 slots, when using the [SWBX88/CBS880](#) setting On Prog , you must register the desired SWBX/CBS slot(s) 1-8 to the desired program(s) 1-64 from the Programs > Other > [SWBX88/CBS880](#) setting. If no bit is registered for the current program, the controller will remain locked and display an error message.

\*\* The corresponding LED on the accessory will flash until the bit is lifted. The controller will remain locked and display an error message until only the correct is lifted.

If at any time: no bits are lifted, or more than one bit is lifted, or if REMOTE PR/SEQ is set to SWBX/CBS and an incorrect bit is lifted, the controller will remain locked.

**Note:** if you use less than 8 sockets with the CBS880 accessory, it is recommended to physically disable the unused sockets by turning off the corresponding DIP switches inside the CBS880 accessory, shown in the picture below. Refer to the CBS880 product manual for more information.



# CONFIGURING THE K-DUCER

## ADVANCED TORQUE CONTROL STRATEGIES

Certain applications may require the use of tightening strategies more advanced than target torque or angle control.

For these applications, the K-DUCER offers Sequential Torque and Angle Control, Running Torque (Compensate and Monitor), Prevailing Torque, and multi-step program options. These terms are defined in the [TERMINOLOGY](#) section.

These strategies are disabled by default, and if your application does not require them, you may skip this section.

### SEQUENTIAL TORQUE AND ANGLE CONTROL

**Note:** please familiarize yourself with the “Torque Control and Angle Monitoring” and “Angle Control and Torque Monitoring” ([TORQUE & ANGLE menu](#)) before embarking on this section.

Sequential Torque and Angle Control is a strategy where, as part of a single tightening, the screwdriver first targets a torque, and, after reaching it, rotates for a specified number of degrees (target angle).

For example, you can program the driver to tighten to 20 lbf-in, and then rotate for an additional 180° degrees, all seamlessly and as part of the same program.

To do this, in the ([TORQUE & ANGLE menu](#)):

- set the [ANGLE CONTROL / TORQUE MONITORING flag](#) to “Angle Control and Torque Monitoring”
- set the [TARGET Angle](#) to the number of degrees to rotate for **after** reaching the threshold torque. Set the Min/Max angle error bounds accordingly, if desired.
- set the Torque Min/Max error bounds, if desired. These will be the error bounds on the torque value reached at the very end of the tightening, **after** the target angle has been reached. The final torque will typically be higher than the initial torque target.
- set the [STARTING AT](#) parameter to the Torque value that you want to target for the first phase of the rundown, **before** switching to the angle targeting mode

Make sure to follow the [Determining the appropriate program settings](#) guidance, adding a downshift threshold if necessary. This is especially important for low target angle values and/or hard joints!

## RUNNING TORQUE

Use running torque to apply\* the **clamping torque**, letting the **closing torque** vary according to the **running torque** encountered and measured during the running torque window.

The goal in this case is to apply a consistent amount of clamping force on the assembly, as opposed to a consistent amount of **closing torque**.

If the running torque value is expected to be higher than the target clamping torque value, the application may also require the use of prevailing torque phase, to be used in conjunction with and during the running torque phase.

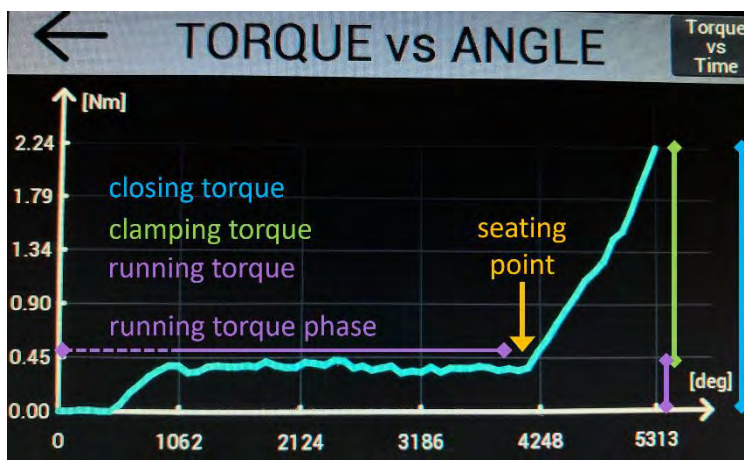
\*for running torque **Compensate** mode. You can also choose to simply measure and monitor the **running and clamping torques** and apply a fixed **closing torque**, via the Running Torque **Monitoring** mode.

### Seating point determination

First, it is necessary to understand the morphology and torque rate of the joint. Perform a series of at least 10 tightening with a target torque near the maximum closing torque allowed by the application (inclusive of running torque), without using any running/prevailing/downshift settings. Follow all precautions necessary and note that this may damage the assembly.

Note down the following information from torque and angle graphs and/or graph data provided by the K-DUCER. You can also take advantage of the free K-Expand software to readily analyze the graphs point-by-point.

- Seating point, in terms of both torque and angle, and of their variability
- Running torque



Example

Target torque: 2.22 Nm

Seating point: 4000°

Running torque estimate: 0.3 Nm

(Running torque mode OFF)

### Test with running torque monitoring only

In the [RAMP, TIME, & PV TORQUE menu](#) configure the running torque [WINDOW](#) by angle (or time), such that it always ends **before** the seating point. Use a window max value of at most the lowest seating angle point of the test tightening.

Select appropriate running torque MIN-MAX bounds, such that the running torques measured fall within the bounds, while retaining the ability to detect incorrect values.

Select peak or average [VALUE](#) depending on the requirements of the application and shape of the graph.

If the running torque slopes upward, it may be appropriate to use the peak value.

If the running torque is constant and varies a lot, for example, if it is a very low torque value relatively to the range of the screwdriver, it may be more appropriate to use the average value.

Finally, select monitoring [MODE](#) for a second round of testing without compensating for the running torque.

Perform another batch of tightenings, and check if the detected running torque value is the one expected.



Example

Target torque: 2.22 Nm

Running torque mode:  
Average - Monitoring

Window: 270° – 4000°



Example

The running torque window was incorrect: it extended past the seating point.

The severity of the problem was reduced by using the average running torque value.

**Note:** if the running torque value is higher than the desired clamping torque value, you will also need to superimpose a prevailing torque phase to the running torque phase, to enable

the screwdriver to finish the running torque phase at a higher torque value than the [TARGET Torque](#), as the running torque value is not added to the target torque until the end of the running torque window.

### Final test with running torque compensation

After fine-tuning the running torque detection, switch to compensate [MODE](#). The system will now add the running torque value measured on each tightening to the target torque. Perform another batch of tests and analysis to verify the desired result.



Example

Target torque: 2.22 Nm

Running torque mode:  
Average - Compensate

Window: 270° – 4000°



Example

The running torque value is greater than the clamping torque target

This requires the prevailing torque phase during the running torque phase

## PREVAILING TORQUE

Self-threading applications may require a prevailing torque strategy, if the initial torque required to overcome the self-threading action is higher than the target closing torque. Applications where the running torque value is expected to be higher than the clamping torque target may also require a prevailing torque phase, ending at or after the end of the running torque phase.

In the [RAMP, TIME, & PV TORQUE menu](#), activate the prevailing torque mode with torque and angle

**Warning:** for the duration of the prevailing torque phase, the screwdriver will only stop if it reaches its maximum torque possible.



A tightening with target torque 0.21 Nm, and prevailing torque phase for 2.0 seconds. Note how the maximum torque is higher than the final torque. This type of profile is only possible through the prevailing torque setting.

## CROSSTHREAD DETECTION

To detect cross threading without stripping the fastener, use the following settings:

**RUNNING TORQUE:** **ANGLE** or **TIME**. Select a window where to detect cross threading.

**VALUE:** select **PEAK**, so that the screwdriver stops immediately if it encounters the running torque MAX torque during the running torque window

**MIN - MAX:** set **MIN** to zero, and set **MAX** to a torque high enough to disregard normal friction, but low enough to detect cross threading without stripping the screw

**MODE:** select **Monitoring**, to avoid adding the running torque value to the torque target

## MULTI-STEP AND COMBINED PROGRAMS

To reverse the screwdriver at the beginning of the tightening, or after reaching the closing torque, or to change the direction of tightening, refer to the corresponding options in the [REV & PRE-REV menu](#).

To combine multiple programs in a single tightening, you can configure a sequence with the [Program transition box](#) set to “auto”.

The sequence will then transition between two or more programs automatically while the operator continues to hold the screwdriver lever. The screwdriver will stop momentarily in-between programs. Activate the [LEVER ERROR](#) setting for each program involved to raise an error if the operator stops holding the lever during or in between the programs.

This allows to have multi-program tightening strategies.



## MAIN MENU

From the main screen, enter the main menu by tapping on the ☰ button on the top right.



- (1) Touch to return to the main screen.
- (2) Touch to enter the program configuration menu, to configure parameters such as torque, angle, runtime, for each program. You can configure up to 64 different programs.
- (3) Touch to enter the general settings menu, to configure general parameters such as passcode lock, I/O and MODBUS settings, kolver accessories, language, etc.
- (4) Touch to enter the USB menu to save or load settings from a USB drive. Note: if a USB drive is connected, the unit automatically saves all screwdriving results in a text file.
- (5) Touch to enter the sequence configuration menu, to configure a sequence of up to 16 different programs and the type of transition between each program.

## PROGRAMS menu

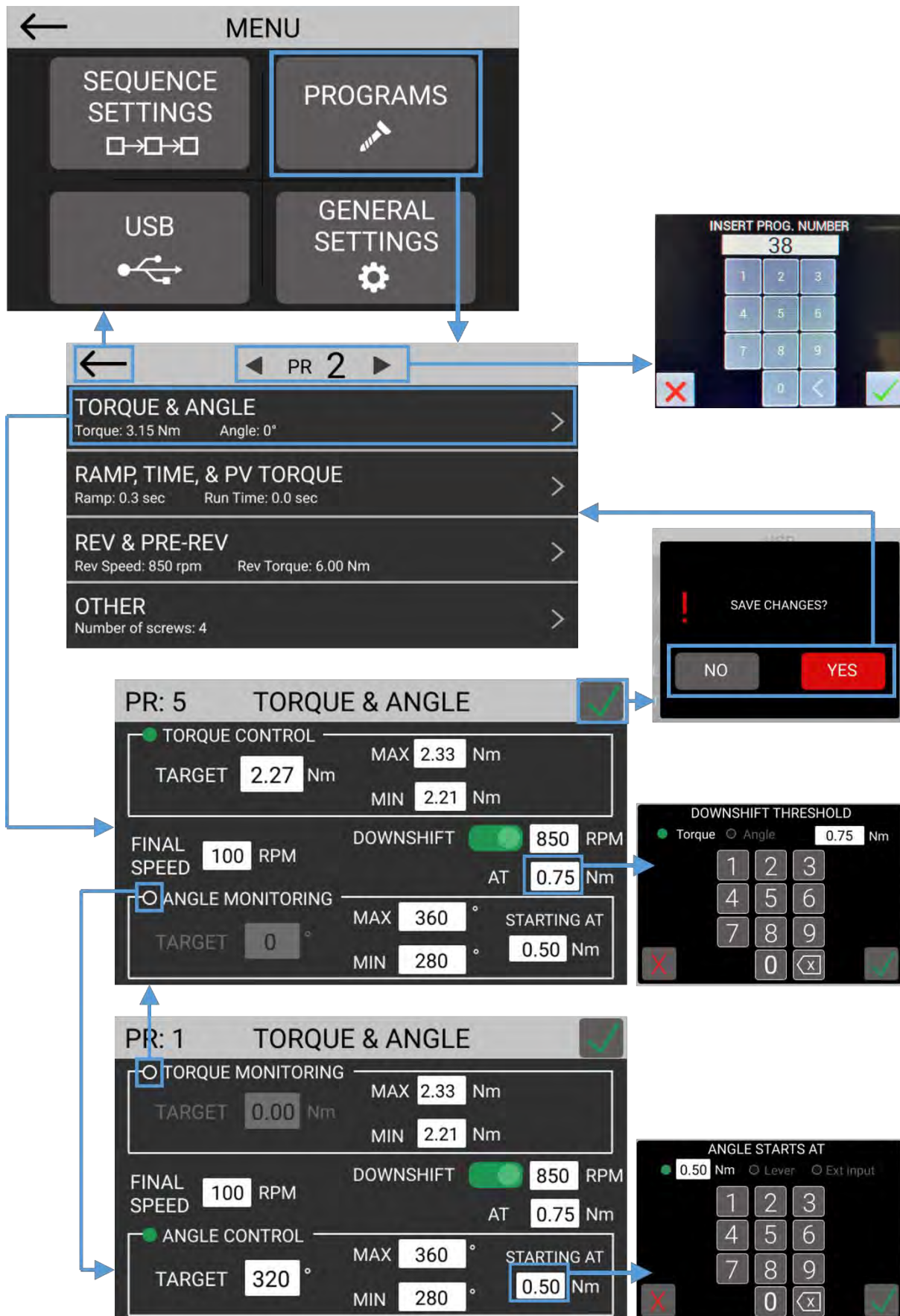
Programs represent batches of one or more screws sharing the same parameters (torque, angle, speed, etc). With the K-DUCER series, you can define up to 64 different programs as well as assign a barcode to each for automatic selection with a barcode scanner.

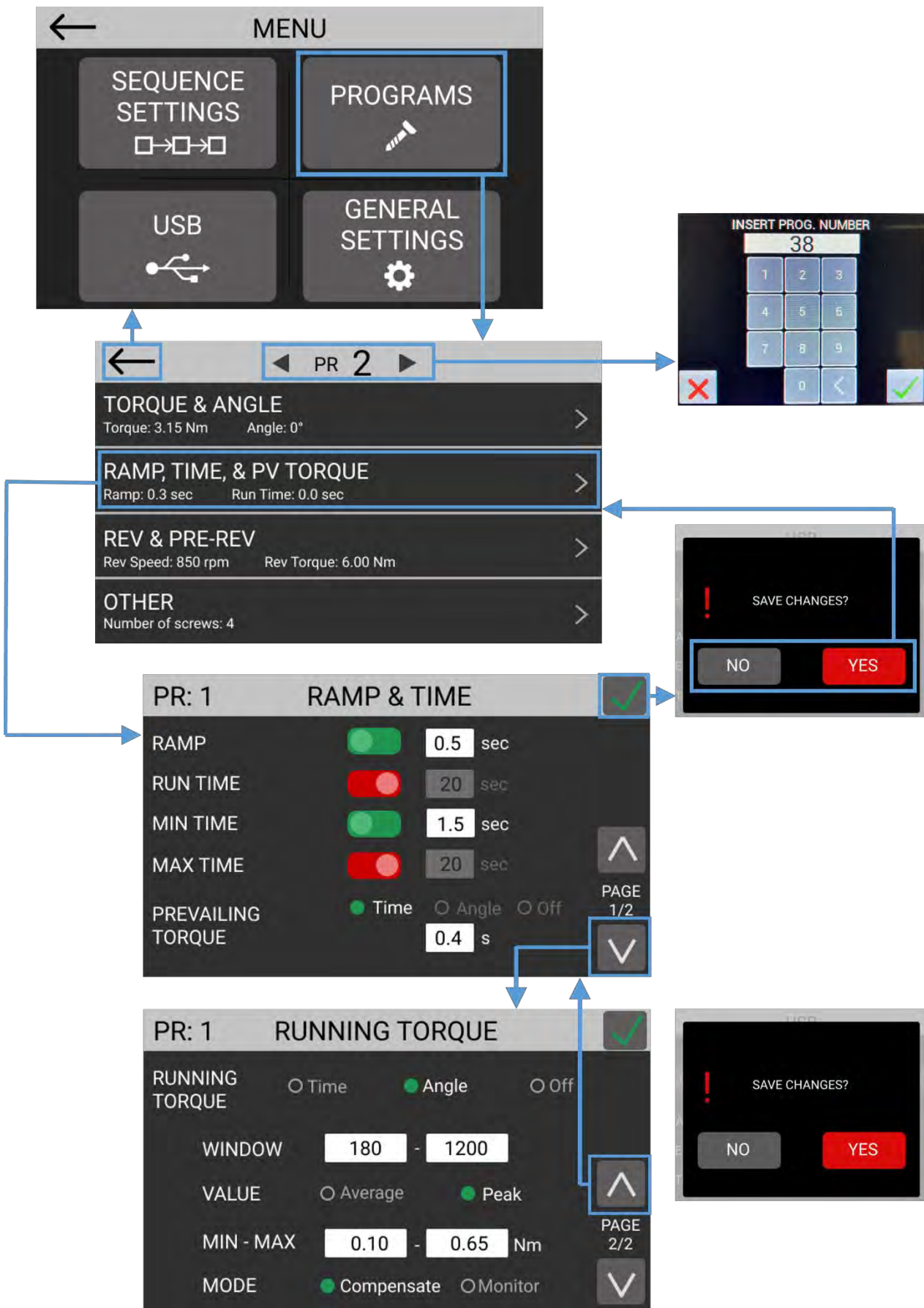
Tap the Programs button from the main menu to enter the programs menu.

Select one of 64 programs to edit by tapping on the program number or the arrows on the top bar.

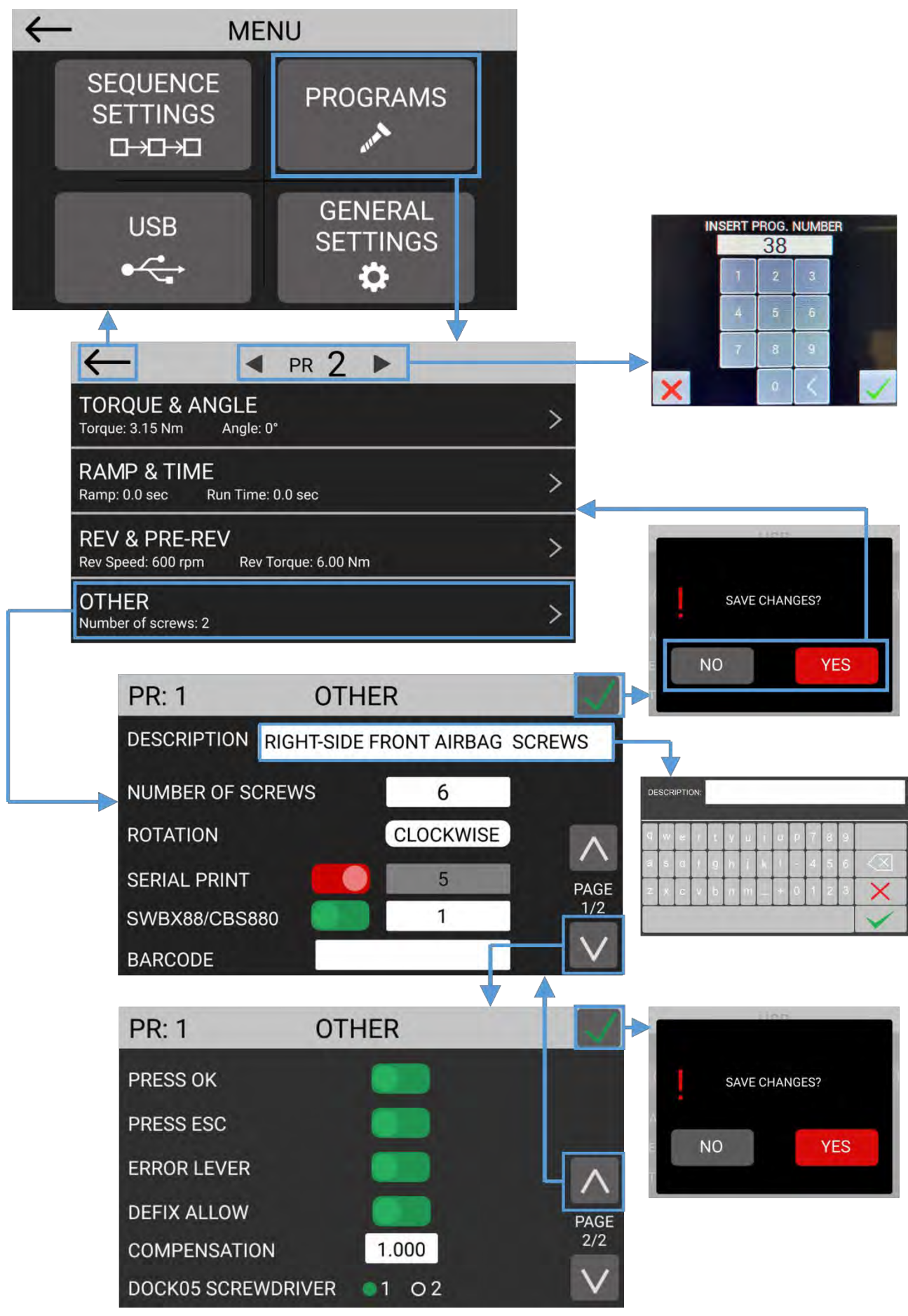
Enter one of the four sub-menus to modify the desired parameters for the program selected.

## PROGRAMS menu tree



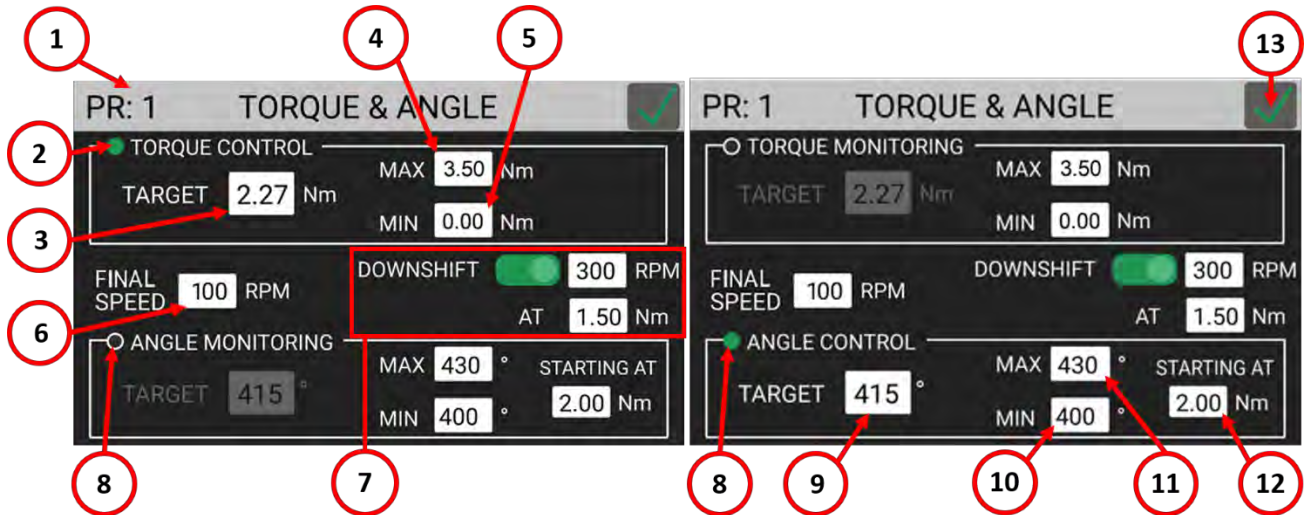






## TORQUE & ANGLE menu

**Note:** carefully choosing the right combination of speed and downshift settings for the application will maximize the precision and lifetime of the tool while minimizing your assembly cycle time. Review the [Determining the appropriate program settings](#) section.



### (1) Program Number

Indicates the program that is currently being edited. You can select a different program to edit from the previous screen.

### (2) TORQUE CONTROL / ANGLE MONITORING flag

Tap to select Torque Control and Angle Monitoring mode.

In this mode, the screw is tightened down to the target torque, and the angle (the number of revolutions of the screw, in degrees) reached at the target torque is measured. The STARTING AT (12) setting controls the starting point for the angle measurement (at torque threshold, at lever pressed, or at external signal received).

### (3) TARGET Torque

Tap to set the target torque. Only available in Torque Control/Angle Monitoring mode. For prevailing torque settings, see the Ramp & Time menu.

**Note:** continuous use at or over 80% of the screwdriver's nominal torque range is not recommended.

### (4) MAX Torque

If the torque measured at the end of the tightening exceeds the MAX Torque value, the tightening will be considered unsuccessful (NOK) and a corresponding error will be raised. Applicable to Torque Control as well as Angle Control modes.

### (5) MIN Torque

If the torque measured at the end of the tightening is below the MIN Torque value, the tightening will be considered unsuccessful (NOK) and a corresponding error will be raised. Applicable to Torque Control as well as Angle Control modes.

### (6) FINAL SPEED

Tap to select the tightening speed of the screwdriver, in RPM.

If the (7) [DOWNSHIFT](#) function is used, this will be the final tightening speed that the screwdriver will downshift to after the selected “AT” threshold is reached.

For the reverse speed of the screwdriver, see the REV & PRE-REV. Note that you can invert the tightening and untightening directions of rotation via the PROGRAMS > OTHER menu.

#### (7) [DOWNSHIFT](#)

The DOWNSHIFT function lets you execute the tightening in two phases: a high speed approach (enter the speed in the “RPM” field), followed by a lower (6) [FINAL SPEED](#) after a certain torque or angle threshold is reached.

**OFF** (red): the screwdriver will run at the (6) [FINAL SPEED](#) for the entire tightening.

**ON** (green): the screwdriver will run at the entered “RPM” speed until a certain torque or angle is reached (AT torque/angle value), at which point it will downshift to the (6) [FINAL SPEED](#) for the remainder of the tightening.

If using an angle threshold, the angle is counted in accordance with the [STARTING AT](#) setting.

#### (8) [ANGLE CONTROL / TORQUE MONITORING flag](#)

Tap to select Angle Control and Torque Monitoring mode.

In this mode, the screw is tightened down to the target angle (number of revolutions of the screw, in degrees), while the torque is measured.

#### (9) [TARGET Angle](#)

Tap to set the target angle. Only available in Angle Control/Torque Monitoring mode.

#### (10) [MIN Angle](#)

If the angle measured at the end of the tightening is below the MIN Angle value, the tightening will be considered unsuccessful (NOK) and a corresponding error will be raised. Applicable to Torque Control as well as Angle Control modes.

#### (11) [MAX Angle](#)

If the angle measured at the end of the tightening exceeds the MAX Angle value, the tightening will be considered unsuccessful (NOK) and a corresponding error will be raised. Applicable to Torque Control as well as Angle Control modes.

#### (12) [STARTING AT](#)

Tap to select the starting point for the angle measurement. Three modes are available:

- **Torque threshold:** the angle measurement starts after the torque reaches this value
- **Lever:** the angle measurement starts as soon as the screwdriver level is pressed
- **Ext In:** the angle measurement starts after the IN-ANG external I/O signal is received

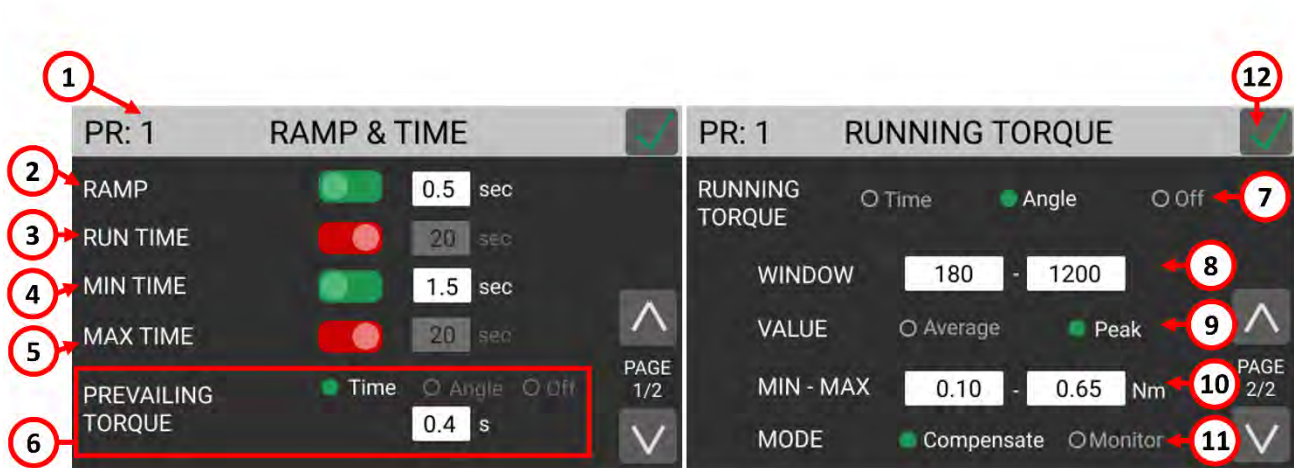
#### (13) [Exit/Save key](#)

Tap to return to the previous menu and save or discard any changes made.



## RAMP, TIME, & PV TORQUE menu

**Note:** for Prevailing Torque and Running Torque settings, please also review the [ADVANCED TORQUE CONTROL STRATEGIES](#) section.



### (1) Program number

Indicates the program that is currently being edited. You can select a different program to edit from the previous screen.

### (2) RAMP

The ramp function makes the screwdriver gradually accelerate to the target SPEED. Enter a time between 0.3 and 3 seconds to set the duration of the ramp phase.

**OFF:** the screwdriver starts immediately turning at the target SPEED when the lever is pressed (or when the screwdriver starts through remote control).

**ON:** the screwdriver speed will ramp up to the target SPEED in the time set.

If you wish to display an error when the screwdriver reaches target torque or angle during the ramp phase, use the (4) MIN TIME function with a timer value equal to the RAMP timer.

### (3) RUN TIME

The RUN TIME function makes the screwdriver stop after the set timer, irrespective of the torque or angle reached.

**ON:** the screwdriver will stop after the set amount of time or when the torque or angle targets are reached, whichever event happens first. If the run time is reached before the target torque or angle, then the torque and angle reached at the time the screwdriver stops will be displayed and will be used to determine whether the result was OK or NOK depending on the min/max limits set on torque, angle, and/or time.

**OFF:** the screwdriver will turn indefinitely until the target or max limits set on torque, angle, and/or time are reached.

#### (4) MIN TIME

The MIN TIME function makes the screwing result NOK (error) if the target torque or angle is reached before the set minimum time.

**ON:** “Below minimum time” error will be displayed if target torque or angle is reached before the set minimum time, counting from the moment the lever is pressed or a remote start signal is received.

**OFF:** this functionality is disabled.

#### (5) MAX TIME

The MAX TIME function makes the screwing result NOK (error) if the target torque or angle is not reached before the set maximum time.

**ON:** “Over maximum time” error will be displayed if target torque or angle is not reached before the set maximum time, counting from the moment the lever is pressed or a remote start signal is received.

**OFF:** this functionality is disabled.

#### (6) PREVAILING TORQUE

The PREVAILING TORQUE function makes the screwdriver work at maximum torque for a set time period or angle selected.

**WARNING:** This function is useful for applications where the prevailing torque is higher than the final target torque (for example self-tapping screws or locknuts). Please use this function with utmost attention because an incorrect use can damage both the assembly and the screwdriver!

The time is counted from the moment the lever is pressed or a remote start signal is received.

The angle is counted in accordance with the [STARTING AT](#) setting.

This function can be overlapped with the RAMP function.

The SPEED setting is respected during the prevailing torque phase.

If the torque measured during the prevailing torque time exceeds the maximum torque achievable by the screwdriver, in other words, if the screwdriver stops turning during the prevailing torque phase, “Error pvt time” will be displayed.

If OFF, this functionality is disabled.

#### (7) RUNNING TORQUE

The RUNNING TORQUE function makes the screwdriver **add (compensate) or monitor** the peak or average torque measured during the set window to the final target torque, in real time. This function is required in select aerospace and helicoil application, where a fixed “clamping torque” is to be applied on top of a variable “running torque” (“friction torque”) encountered during the rundown.

This function can only be activated in Torque Target mode (not in Angle Target mode). Refer to the [RUNNING TORQUE](#) section for more information.

**Off:** the function is not active.

**Angle:** the running torque is measured within the angle window selected, counted in accordance with the [STARTING AT](#) setting.

**Time:** the running torque is measured within the time window selected, starting from the moment the screwdriver lever (or remote lever command) is pressed.

Note that the running torque can be combined with the [PREVAILING TORQUE](#) function, for those situations where the running torque value is expected to be higher than the [TARGET Torque](#) value (**Running Torque** greater than **Clamping Torque**).

**(8) WINDOW**

Enter the time or angle window during which the running torque will be measured.

**(9) VALUE**

**Average:** the running torque value will be the average of the torque values measured during the running torque window.

**Peak:** the running torque value will be the maximum torque value measured during the running torque window.

**(10) MIN - MAX**

If the running torque falls outside the min/max bounds, the tightening will stop with a corresponding error.

If using **Average** VALUE mode, the tightening will continue until the running torque window completes, and the average value will be checked against the min/max bounds. If using **Peak** VALUE mode, the tightening will end immediately if the measured torque exceeds the max BOUND at any time within the running torque window.

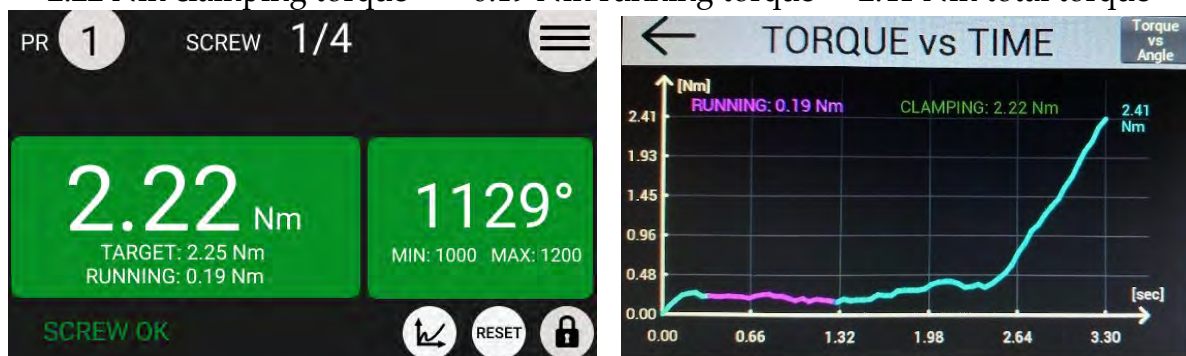
**(11) MODE**

**Compensate:** the running torque value will be added to the [TARGET Torque](#) in real time, to achieve a fixed amount of **clamping torque**. The torque result reported on the main screen will correspond to the **clamping torque** applied, and the **running torque** value will be reported below.

**Monitor:** the running torque will only be measured, and the system will target the unmodified [TARGET Torque](#). The torque result reported on the main screen will be the **closing torque**, and the **clamping torque** will be reported below.

Example of a tightening result using the RUNNING TORQUE Compensate function:

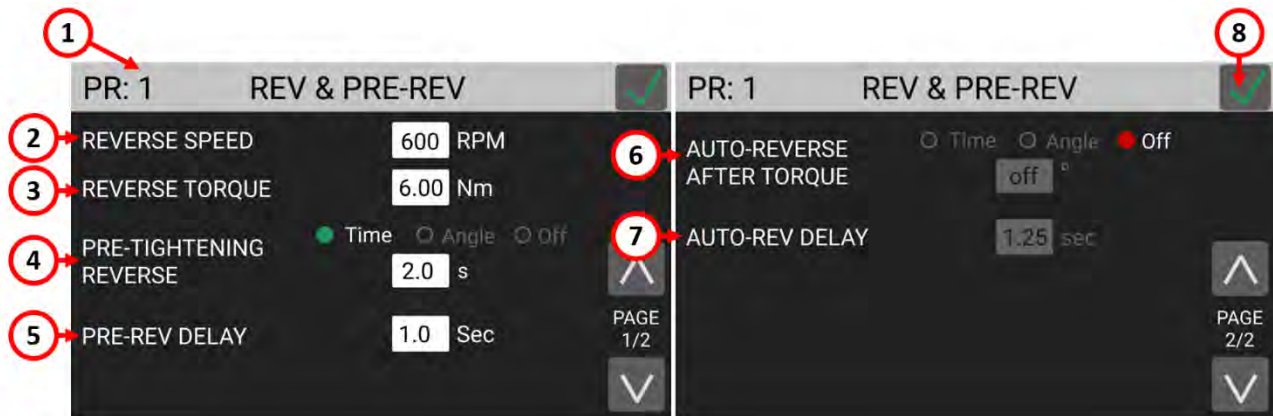
2.22 Nm clamping torque    0.19 Nm running torque    2.41 Nm total torque



**(12) Exit/Save Key**

Tap to return to the previous menu and save or discard any changes made.

## REV & PRE-REV menu



### (1) Program number

Indicates the program that is currently being edited. You can select a different program to edit from the previous screen.

### (2) REVERSE SPEED

Tap to select the untightening speed of the screwdriver, in RPM.

**WARNING:** This setting also applies to the PRE-TIGHTENING REVERSE and AUTO-REVERSE AFTER TORQUE functions.

Settings from the TORQUE & ANGLE and RAMP & TIME menu do not apply when untightening.

Note that you can invert the tightening and untightening direction of rotation via PROGRAMS > OTHER > [ROTATION](#).

### (3) REVERSE TORQUE

Tap to set the maximum reverse torque that the screwdriver will allow while untightening, within the range of the screwdriver selected.

**WARNING:** This setting also applies to the PRE-TIGHTENING REVERSE and AUTO-REVERSE AFTER TORQUE functions.

If you're using an open-end wrench attachment, the reverse torque should be set to MIN value in order to bring the wrench back to the correct position.

### (4) PRE-TIGHTENING REVERSE

This function makes the screwdriver turn in the reverse direction for a set time duration or angle after the target torque or angle are reached.

The speed and torque utilized in the PRE-TIGHTENING REVERSE phase are set in the REVERSE SPEED and REVERSE TORQUE settings above.

If OFF, this functionality is disabled.

### (5) PRE-REV DELAY

The amount of idle time between the end of the PRE-TIGHTENING REVERSE phase and the tightening phase. The lever must remain pressed or the remote start command must remain active during this idle time. Cannot be set to less than 0.3 seconds. Only active if the PRE-TIGHTENING REVERSE function is not OFF.

### (6) AUTO-REVERSE AFTER TORQUE

This function makes the screwdriver turn in the reverse direction for a set time duration or angle after successfully completing the tightening phase.

The speed and torque utilized in the PRE-TIGHTENING REVERSE phase are set in the REVERSE SPEED and REVERSE TORQUE settings above.

This function activates only if the screw result from the tightening phase was OK. If there was an error in executing or completing the tightening phase, the screwdriver will not proceed with the AUTO-REVERSE AFTER TORQUE phase.

**WARNING:** the lever must remain pressed or the remote start command must remain active during the entire AUTO-REVERSE AFTER TORQUE phase, otherwise the screwing result will be NOK and an error will be raised.

If OFF, this functionality is disabled.

Note: if the tightening phase was successful, the OK signal will not be raised until the completion of the AUTO-REVERSE AFTER TORQUE phase. The TORQUE and ANGLE results displayed at the end of the AUTO-REVERSE AFTER TORQUE phase will correspond to the torque/angle results from the tightening phase, and not those from the AUTO-REVERSE AFTER TORQUE phase.

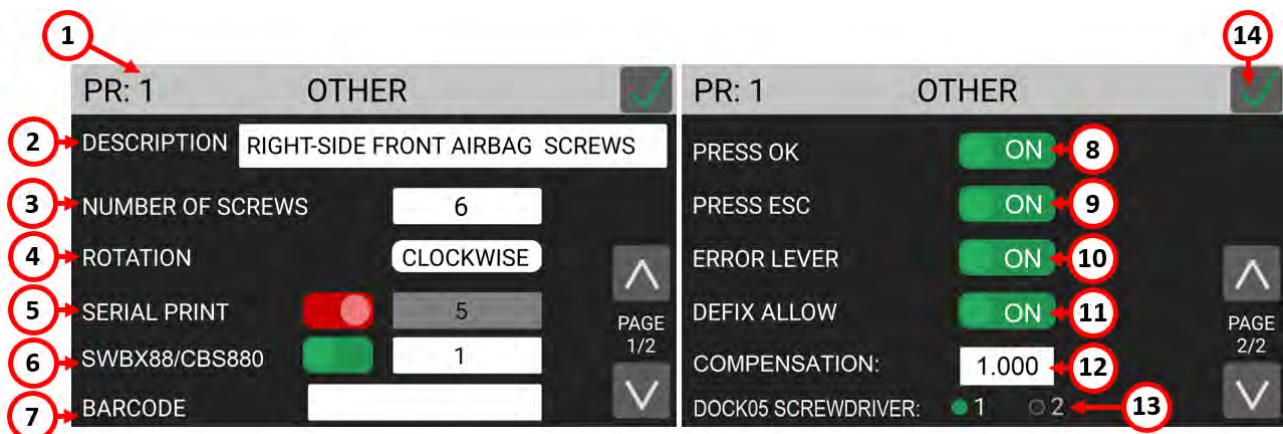
### (7) AUTO-REV DELAY

The amount of idle time between the end of the tightening phase and the AUTO-REVERSE AFTER TORQUE phase. The lever must remain pressed or the remote start command must remain active during this idle time. Cannot be set to less than 0.3 seconds. Only active if the AUTO-REVERSE AFTER TORQUE function is not OFF.

### (8) Exit/Save Key

Tap to return to the previous menu and save or discard any changes made.

## OTHER menu



### (1) Program number

Indicates the program that is currently being edited. You can select a different program to edit from the previous screen.

### (2) DESCRIPTION

Tap to enter a program description of up to 30 alphanumeric characters. The description will be displayed in the main screen.

### (3) NUMBER OF SCREWS

Tap to set the number of screws (0 to 99) for this program. Also referred to as “batch size” in the industry. The end of program signal will be raised upon the successful tightening of the last screw in the program.

Enter zero to disable screw counting for this program.

**Note:** a program with NUMBER OF SCREWS set to zero behaves the same as a program with NUMBER OF SCREWS set to one when utilized in a sequence (SEQUENCE menu).

### (4) ROTATION

Tap to set the direction of rotation of the screwdriver for the tightening phase. All of the screwdriver functions (angle measurements, direction of rotation for reverse phase, etc.) will adapt to the selected direction of rotation.

### (5) SERIAL PRINT

Tap to enable and set a value from OFF to 5. The value identifies the number of line feeds (empty lines) printed between a results string and the next on the serial ports (CN2 and CN4) and serial printer accessory. Affected by the [RESULTS FORMAT](#) setting. If OFF, no data will be transmitted through CN2 or CN4.

### (6) SWBX88/CBS880

Tap to enable and utilize the SWBX88 or CBS880 Kolver accessories with the current program being edited.

Enter 1 through 8 to assign the current program ([Program number](#)) number to the corresponding physical slot (1 through 8) of the Kolver accessory.

See [Connecting a bit-tray or switchbox \(CBS880, SWBX88\)](#) for more details.

### (7) BARCODE

Tap to enter the SCAN BARCODE screen to assign a barcode to the current program being edited. To be used in conjunction with the BARCODE MODE: - ON PRG - in the GENERAL SETTINGS menu.

The PROGRAM barcode can be up to 16 alphanumeric characters. QR codes of up to 16 alphanumeric characters are supported, provided that the scanner is configured correctly (RS-232, 9600 baud, 8 data bits, 1 stop bit, no parity).

### (8) PRESS OK

**ON:** the “press OK” screen will appear upon successful completion of the last screw of the program.

When this screen appears, the screwdriver will remain disabled until the operator taps OK on the touch screen, or until the “REMOTE OK” external signal is received.

**OFF:** the control unit will reset automatically when the lever is pressed or the remote start signal is received after the last screw of the program is successfully completed.

**Note:** the “press OK” screen will not appear if the NUMBER OF SCREWS is set to zero, even if enabled. If you want the “press OK” screen to appear after every screw, set NUMBER OF SCREWS to one.

**Note:** this setting is ignored if the program is being used within a sequence (job). The program transition setting within the sequence will define the behavior in this case.

#### (9) PRESS ESC

**ON:** the “press ESC” screen will appear whenever an error occurs during a tightening or untightening operation.

When this screen appears, the screwdriver will remain disabled until the operator taps ESC on the touch screen, or until the “REMOTE ESC” external signal is received.

**OFF:** the control unit will clear the error automatically when the lever is pressed or the remote start signal is received after the error occurs (in this case, the remote start signal must first be pulled down after the error occurs in order to re-start the tightening).

#### (10) LEVER ERROR

**ON:** an error will be raised if the lever is released before reaching the target torque, angle, and/or run time.

**OFF:** releasing the lever in the middle of a tightening will not result in an error signal, even if the target torque, angle, and/or run time have not been reached.

#### (11) DEFIX ALLOW

**ON:** the reverse button on the screwdriver is enabled for this program.

**OFF:** to disable the reverse button on the screwdriver for this program.

**Note:** the PRE-TIGHTENING REVERSE and AUTO-REVERSE AFTER TORQUE functionality can still be used when this setting is OFF.

#### (12) COMPENSATION

This setting changes the calibration factor for the current program. Default value is 1. The torque measured when working with the current program is multiplied by this factor. For example, if a torque value of 3 Nm is displayed with the COMPENSATION setting at 1, but you measure an effective torque value of 3.03 Nm with an external measurement tool, you modify the COMPENSATION setting to 0.99. Repeating the tightening with the same joint should now yield a torque value of 3 Nm (result of 3.03 Nm \* 0.99) in both the K-DUCER and the external torque measurement tool.

This function is useful when the torque result measured by an external instrument is not in line with the result measured by the K-DUCER, provided you are sure that the external instrument is properly calibrated and showing the correct result.

This can happen when working on rigid joints or with angle heads, or when the KDS screwdriver is overdue for a calibration.

**WARNING:** This function changes the value of the calibration factor of the KDS screwdriver (for the current program only) and therefore must be used only in case of real need and with a full understanding of what is being modified. In all other cases it should be left at 1. Contact your Kolver representative when in doubt. See

[CALIBRATION](#) for more details.

#### (13) DOCK05 SCREWDRIVER

When pairing the Dock-05 dual output accessory with the DOCK-05 output pin on CN3, this setting determines which screwdriver (primary or secondary) is activated by the current program.

#### (14) Exit/Save Key

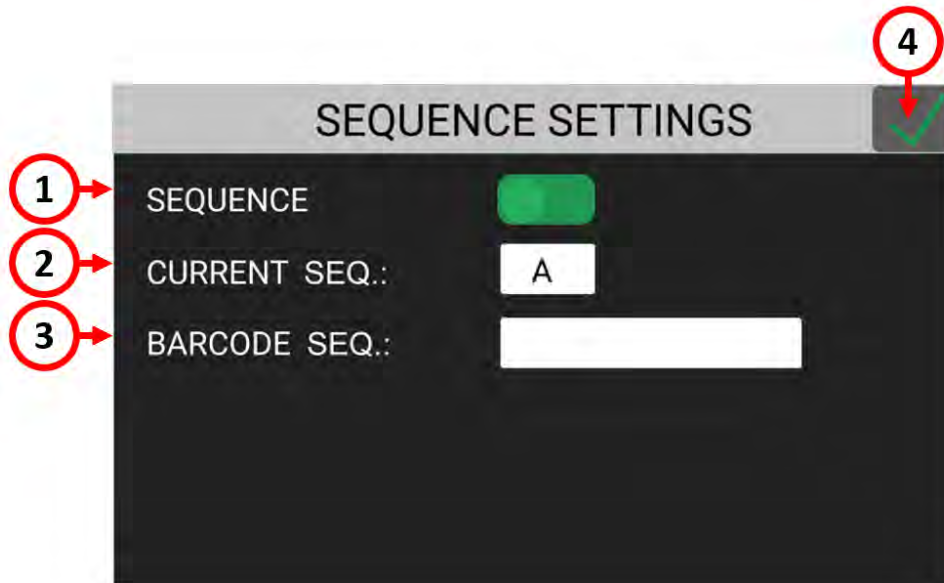
Tap to return to the previous menu and save or discard any changes made.

## SEQUENCE SETTINGS menu

Sequences, also referred to as “jobs” in the industry, are ordered series of up to 16 programs with the option to define how to transition between programs.

With the K-DUCER series, you can define up to 8 different sequences as well as assign a barcode to each for automatic selection via a barcode scanner.

Tap the Sequence Settings button from the main menu to enter the sequence menu.



### (1) SEQUENCE toggle

Tap the toggle to activate sequence mode in the main screen and work with sequences.

### (2) CURRENT SEQ.

Tap the CURRENT SEQ. input field to enter the sequence edit menu for one of 8 sequences (A through H).

The sequence shown in the CURRENT SEQ. input field corresponds to the pre-selected sequence in the main screen.

You can also select a different sequence to work with directly from the main screen.

Manual selection of sequences is disabled if you utilize a [REMOTE SEQ](#) setting different from “Off”.

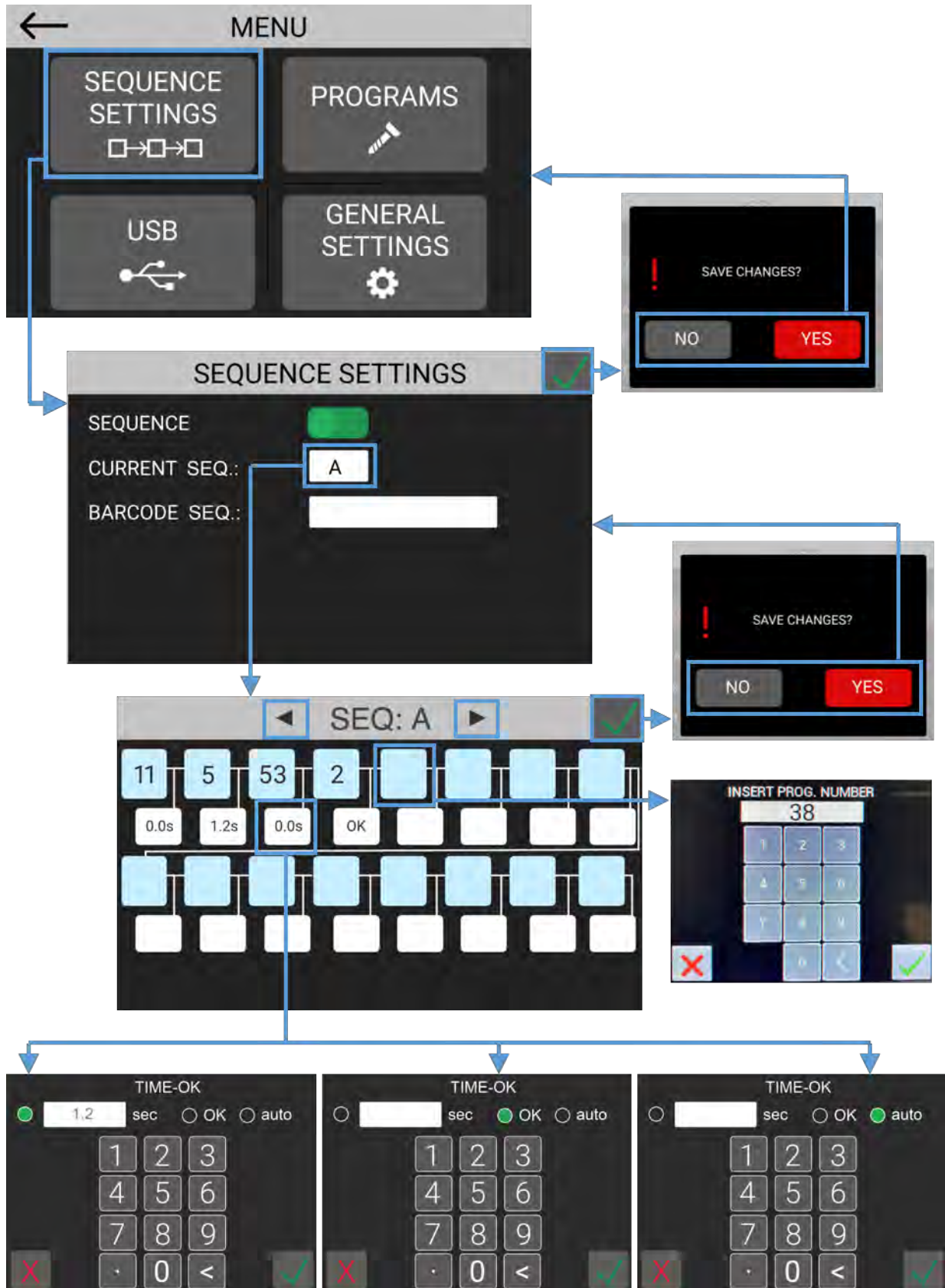
### (3) BARCODE SEQ.

Tap to enter the SCAN BARCODE screen to assign a barcode to the sequence shown in CURRENT SEQ. To be used in conjunction with the BARCODE MODE: - ON SEQ - in the GENERAL SETTINGS menu.

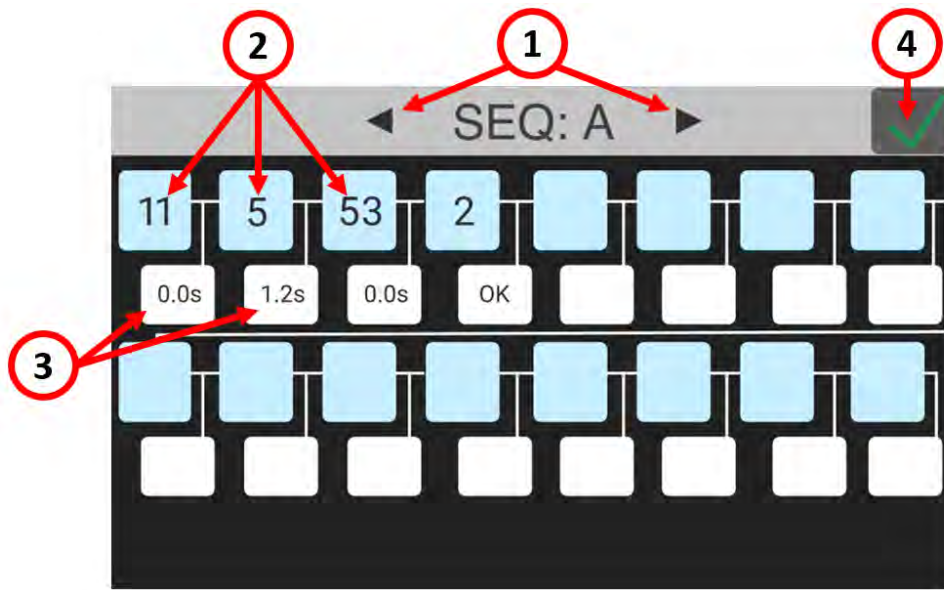
The SEQUENCE barcode can be up to 16 alphanumeric characters. QR codes of up to 16 alphanumeric characters are supported, provided that the scanner is configured correctly (RS-232, 9600 baud, 8 data bits, 1 stop bit, no parity).



## SEQUENCE SETTINGS menu tree



## CURRENT SEQ. menu



### (1) Sequence letter

Indicates the sequence that is currently being edited.

Tap the arrows to select a different sequence to edit (A through H).

### (2) Program number box

Tap to change or insert a program into the sequence. The sequence flows left to right, top to bottom.

You can insert any of the 64 programs into any of the 16 spots in the sequence. You can also insert the same program in different boxes if desired.

### (3) Program transition box

Tap the box to define the transition behavior between the two corresponding programs in the sequence.

The transition behavior can be:

**Time:** when the previous program is successfully completed, the unit will automatically switch to the next program after the set amount of time, in seconds. The screwdriver will remain disabled until the transition timer completes. The timer begins counting as soon as the program is completed, even if the lever is not depressed or the remote start command is not removed. The allowable range is 0.3 to 10 seconds.

**OK:** when the previous program is successfully completed, the “press OK” screen will appear.

When this screen appears, the screwdriver will remain disabled until the operator taps OK on the touch screen popup, or until the “REMOTE OK” external signal is received.

**Auto:** when the previous program is successfully completed, the unit will immediately switch to the next program WITHOUT having to depress the screwdriver lever or pull down the remote start command. This setting can be useful if you require multiple closing torques or angles on the same joint without stopping in between, or to create a screwdriving operation that is not otherwise possible within the parameters of a single program.

**WARNING:** use this transition setting with care and only when strictly necessary, as the operator will not have any time to react to the program change.

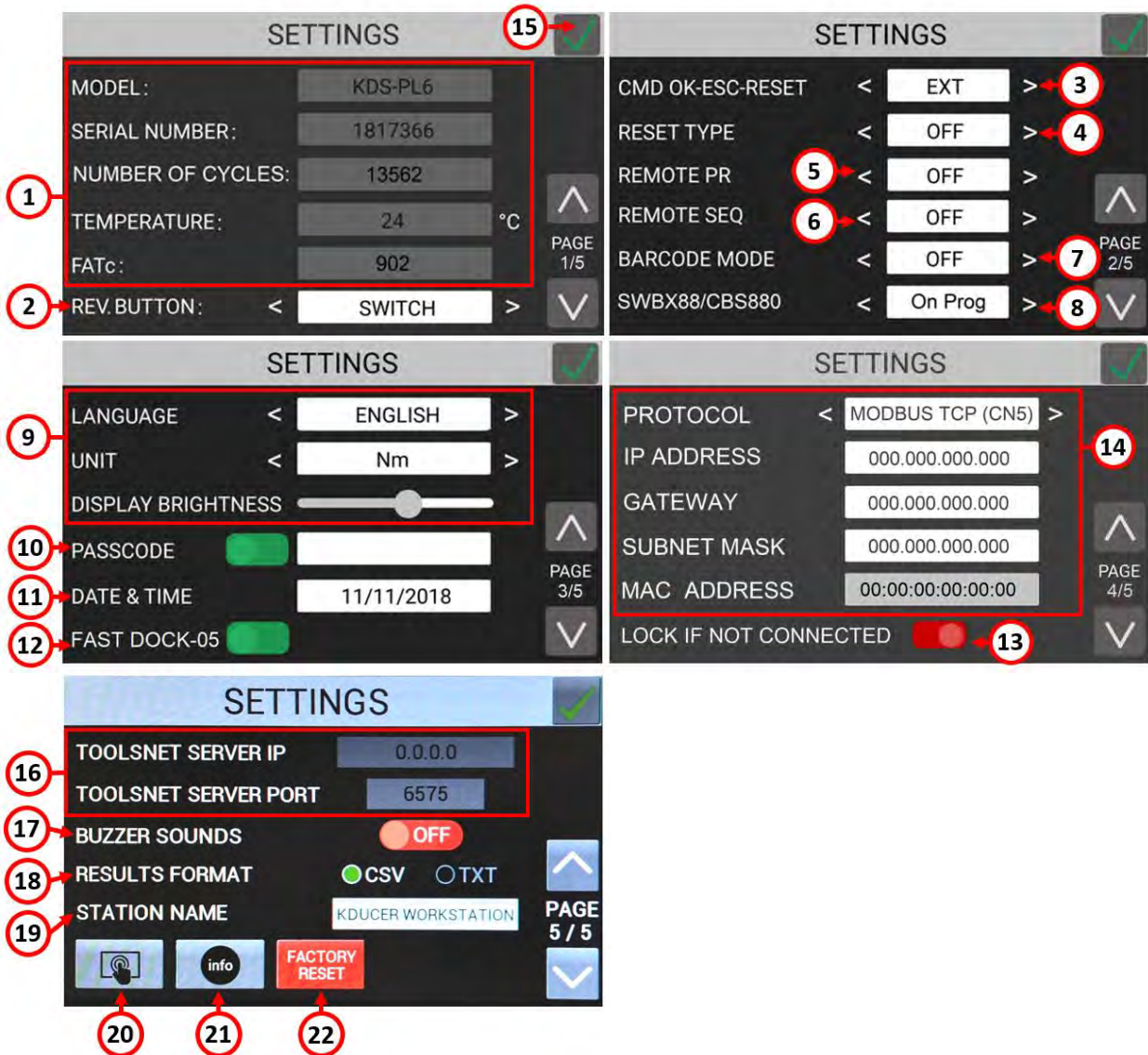


**(4) Exit/Save Key**

Tap to return to the previous menu and save or discard any changes made.

## GENERAL SETTINGS menu

Tap the General Settings button from the main menu to enter the general settings menu. In this menu you can find information on the current KDS series screwdriver connected, configure Kolver accessories, configure I/O communications, add a password lock to the menu, and other settings that apply to all programs.



### (1) TOOL INFO

Shows information of the connected screwdriver:

**MODEL:** the model of the connected screwdriver.

**SERIAL NUMBER:** the serial number of the connected screwdriver.

**NUMBER OF CYCLES:** the total cumulative number of cycles performed by the screwdriver. Also see [MAINTENANCE AND CARE](#) section.

**TEMPERATURE:** the temperature measured near the motor of the screwdriver, in degrees °C.

Note: exceeding a temperature of 40 °C will put the screwdriver in error protection mode and lock it until it cools down below 37 °C.

Some factors that can overwork and overheat the screwdriver include:

- Combination of high torque and low speed on very elastic joints (the screwdriver delivers high torques more efficiently at higher speeds)
- Very high duty cycles (< 3 seconds between tightening), depending on difficulty (torque/elasticity) of the tightening
- High torques are defined as above 80% of the maximum nominal torque for the KDS screwdriver model. Consider upsizing the screwdriver model if most of your cycles are > 80% of the maximum torque

**FATc:** the calibration value of the transducer, also available in the calibration certificate of the tool). Modifying this value requires a Service Passcode. Contact Kolver to schedule a factory re-calibration or to obtain the service passcode and calibration instructions to perform the re-calibration in-house.

## (2) REVERSE BUTTON

Defines the behavior of the reverse button on the KDS screwdriver and on the remote reverse command. The two modes available are BUTTON and SWITCH.

**BUTTON mode:** the screwdriver will run in reverse only while pressing the reverse button on the KDS screwdriver or while sending the remote reverse command.

**SWITCH mode:** pressing and releasing the reverse button on the KDS screwdriver or sending the remote reverse command will activate the reverse mode on the KDS screwdriver. Press the lever on the KDS screwdriver or send the remote start command while in this mode to make the screwdriver run in reverse. The LEDs on the screwdriver will flash while this mode is active and the screwdriver is not turning.

## (3) CMD OK-ESC-RESET

Changes the source for the commands "OK", "ESC" (see "press OK" and "press ESC" settings on the PROGRAMS > OTHER menu), and "RESET" (see (4) below).

Choose "INT" (internal) to only allow these inputs from the touch screen display.

Choose "EXT" (external) to only allow these inputs to be received via external signals on the CN3 connector.

Choose "INT+EXT" to allow the OK/ESC/RESET commands from both the touch screen display and the external signals on CN3.

## (4) RESET TYPE

Defines the behavior of the reset ("RST") button and external reset signal.

**OFF mode:** disables the reset button and external signal.

**PRG:** resets the screws made counter of the current program to zero.

**SCREW:** decreases the screws made counter of the current program by one.

**SEQ:** resets the current sequence back to the first program and resets the screws made counter to zero. This option is will only appear if SEQUENCE mode is active ([SEQUENCE toggle](#) > ON).

If any barcode mode is active and the current [Screw count](#) is zero, the RST button/signal will also cause the "scan barcode" screen to reappear.

## (5) REMOTE PR

Choose between one of four external program (PR) selection modes. These options are only available when working in program mode ( [SEQUENCE toggle](#) OFF).

**OFF:** the program number is selected manually via the [Program \("PR"\) number currently selected](#) button on the main screen.

**CN3 I/O:** the program is selected via the [24V I/O](#) remote control interface.

**CN5 TCP:** the program is selected via the ethernet [COMMUNICATION PROTOCOL](#).

**SWBX/CBS:** the program is selected via the Kolver accessory SWBX88 or CBS880. See [Connecting a bit-tray or switchbox \(CBS880, SWBX88\)](#) for more details.

**Barcode:** the program is selected via a barcode scanner. This option cannot be selected directly, but it is automatically selected with a compatible [BARCODE MODE](#) selection.

## (6) REMOTE SEQ

Choose between one of four external sequence (SEQ) selection modes. These options are only available when working in sequence mode ( [SEQUENCE toggle](#) ON).

These options are analogous to the [REMOTE PR](#) described above, but for sequences.

## (7) BARCODE MODE

Choose between OFF or one of five barcode modes:

**OFF:** disables/ignores barcode scans and settings

**On S.N.** ("on Serial Number"): on the main screen, the scan barcode screen will appear. Scanning a barcode will temporarily associate it with the current program. The barcode will be printed in the corresponding results string on the serial port and on the corresponding Modbus field (see serial print and remote I/O chapters on this manual). The scan barcode screen will appear again after the current program completes on when a new program number is selected.

**On PROG:** on the main screen, the scan barcode screen will appear. Scanning a barcode will load the program containing the matching barcode. If there is no program with a matching barcode, the operator will be prompted to scan another barcode. The scan barcode screen will appear again after the loaded program completes. You can configure a unique barcode for each program via PROGRAM > OTHER > [BARCODE](#).

**On SEQ:** on the main screen, the scan barcode screen will appear. Scanning a barcode will load the sequence containing the matching barcode. If there is no sequence with a matching barcode, the operator will be prompted to scan another barcode. The scan barcode screen will appear again after the loaded sequence completes. You can configure a barcode for each sequence via the [BARCODE SEQ](#) setting on the [SEQUENCE SETTINGS](#) menu. This option is will only appear if SEQUENCE mode is active ([SEQUENCE toggle](#) > ON).

**SN+Prog:** This mode combines the "On Serial Number" and "On PROG" modes. First, the "scan serial number barcode" screen will appear. Then, after the first scan, the "scan PROG barcode" screen will appear. The program containing the barcode matching the "PROG" scan (second scan) will be loaded, while the first barcode scanned ("serial number") will be printed with the screwdriving results.

Both "scan barcode" screens will reappear after the program completes.

**SN+Seq:** This mode combines the "On Serial Number" and "On SEQ" modes. First, the "scan serial number barcode" screen will appear. Then, after the first scan, the "scan SEQ barcode" screen will appear. The sequence containing the barcode matching the

“SEQ” scan (second scan) will be loaded, while the first barcode scanned (“serial number”) will be printed with the screwdriving results.

Both “scan barcode” screens will reappear after the sequence completes.

Also see [Connecting a barcode scanner](#).

Note that the S/N barcode can also be transmitted via the MODBUS TCP or OPEN PROTOCOL [COMMUNICATION PROTOCOL](#).

**Note:** the maximum PROGRAM or SEQUENCE barcode length is 16 characters, while the maximum SERIAL NUMBER barcode length is 63 characters.

#### (8) **SWBX88/CBS880**

Changes the working mode for the SWBX88 and CBS880 Kolver accessories.

The working mode of the accessories also depends on whether [REMOTE PR](#) and [REMOTE SEQ](#) are set to SWBX/CBS.

See [Connecting a bit-tray or switchbox \(CBS880, SWBX88\)](#) for more details.

**OFF:** the accessory is completely disabled.

**ON PROG:** the position on the accessory is matched to the program number containing the corresponding SWBX88/CBS880 slot setting (Programs > Other > [SWBX88/CBS880](#)).

**ON SEQ:** the position on the accessory is matched to the sequence (A – 1, ... , 8 – H).

#### (9) **LANGUAGE / UNIT / BRIGHTNESS**

**LANGUAGE:** choose the display language: English, Italian, French, German, Spanish, Portuguese.

**UNIT:** choose the measurement units for torque: Nm, lbf.in, kgf.cm, oz.in

**DISPLAY BRIGHTNESS:** increase or decrease the brightness of the touch screen display

#### (10) **PASSCODE**

Enables or disables the passcode lock for the configuration menu.

Tap the input field to enter a passcode, and enable the on/off toggle to activate it.

When the passcode is enabled, the lock icon on the main screen will have a red background, and the passcode will be required to access the configuration menu.

Should you forget the passcode, contact Kolver to obtain a recovery passcode.

#### (11) **DATE & TIME**

Tap to change the date and time of the unit. This changes the date and time associated with each (new) result reported in the serial print, usb, and modbus fields.

#### (12) **FAST DOCK-05**

This option eliminates the “SCREWDRIVER CONNECTED” popup that appears for two seconds after connecting a KDS screwdriver to the controller.

When using the DOCK-05 accessory, enabling this option can be useful to reduce the idle time required to switch between the two drivers, and accelerate the cycle time.

#### (13) **LOCK IF NOT CONNECTED**

**ON:** the unit will remain locked and display an error message whenever there is no active connection established on the selected [COMMUNICATION PROTOCOL](#).

**OFF:** the unit will be able to work irrespective of the communication protocol status.

#### (14) **COMMUNICATION PROTOCOL**

**PROTOCOL:** select the communication protocol to use between the following options:

**K-Expand:** to interface with the free K-EXPAND PC software via the MiniUSB port.  
**MODBUS TCP:** to interface with any device supporting the MODBUS TCP protocol via the ethernet port.

**OPEN PROTOCOL:** to interface with any device supporting Open Protocol via the ethernet port.

**TOOLSNET:** to interface with a ToolsNet database. The ToolsNet server IP address and port are set on the

**IP ADDRESS:** the ethernet IP address of the K-DUCER unit. Must be assigned manually and be available/reserved in the local network, if applicable. The unit does not support DHCP assignment.

**GATEWAY:** the ethernet IP address of the local network gateway, if applicable. You can leave this as 0.0.0.0 in most cases.

**SUBNET MASK:** the subnet mask of the local network. The value must match the subnet mask of the other devices in the LAN. Usually this value is 255.255.255.0. Note that 0.0.0.0 will not work in most cases. Contact your IT support if unsure.

**MAC ADDRESS:** shows the MAC address of the K-DUCER.

#### (15) Exit/Save Key

Tap to return to the previous menu and save or discard any changes made.

#### (16) TOOLSNET SETTINGS (beta)

To enable these settings, first select “TOOLSNET” on the [COMMUNICATION PROTOCOL](#) setting.

**TOOLSNET SERVER IP:** the IP address of the TOOLSNET PIM service

**TOOLSNET SERVER PORT:** the IP port of the TOOLSNET PIM service

The IP address and Port of the TOOLSNET PIM service may be specific to each facility or installation. These values can often be found by navigating to this address on a web browser connected to the TOOLSNET network: <http://127.0.0.1:6571>

Typical/default values for the TOOLSNET PIM SERVICE PORT: 9014, 9015, 6575, 6700  
Contact your IT support if unsure.

#### (17) BUZZER SOUNDS

Toggle to enable or disable the buzzer (beeper) sounds emitted by the unit.

#### (18) RESULTS FORMAT

Tap to select the format of the tightening results. This affects the results stored to the USB drive, the results transmitted via serial communication through CN2 and CN4, and the “Print String” MODBUS holding registers content.

**CSV:** (firmware v36 and later, default) Saves the results in Comma Separated Values format for easy import to spreadsheet programs. Selecting the CSV format also enables automatically saving the Torque and Angle graph data to the USB drive.

**TXT:** legacy format for the print string results. Torque/Angle graph data is not included. See section [Retrieving and storing the screwdriving results](#) for more details.

#### (19) STATION NAME

Tap to assign a name to this controller, accessible via Open Protocol and K-Expand.



**(20) TOUCH SCREEN CALIBRATION**

Tap to enter the touch screen calibration function. Use this to correct problems with the alignment of the touch response of the display. Touch the three blue dots with one finger where they appear on the screen. Contact Kolver if the problem persists.

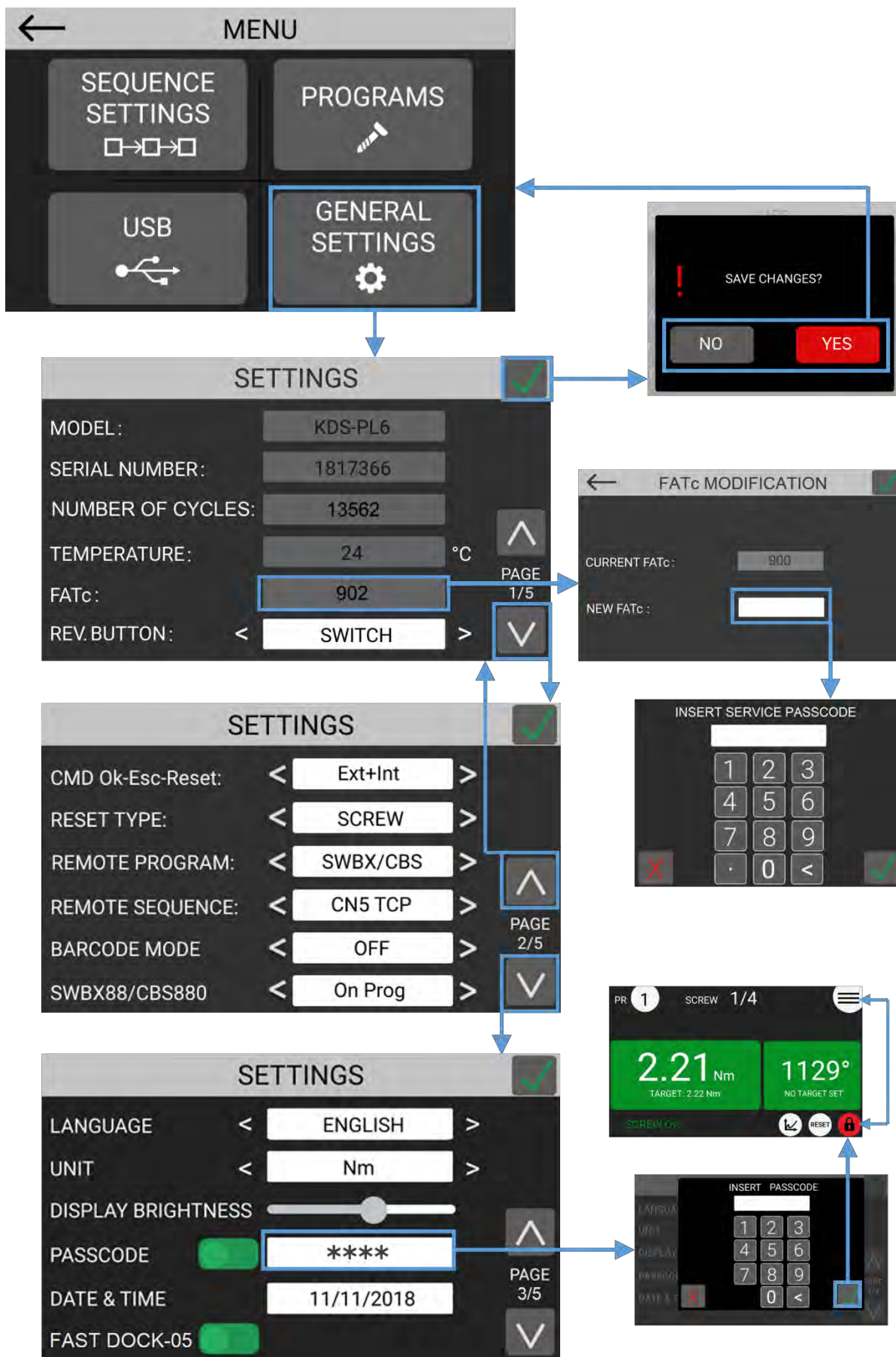
**(21) INFO**

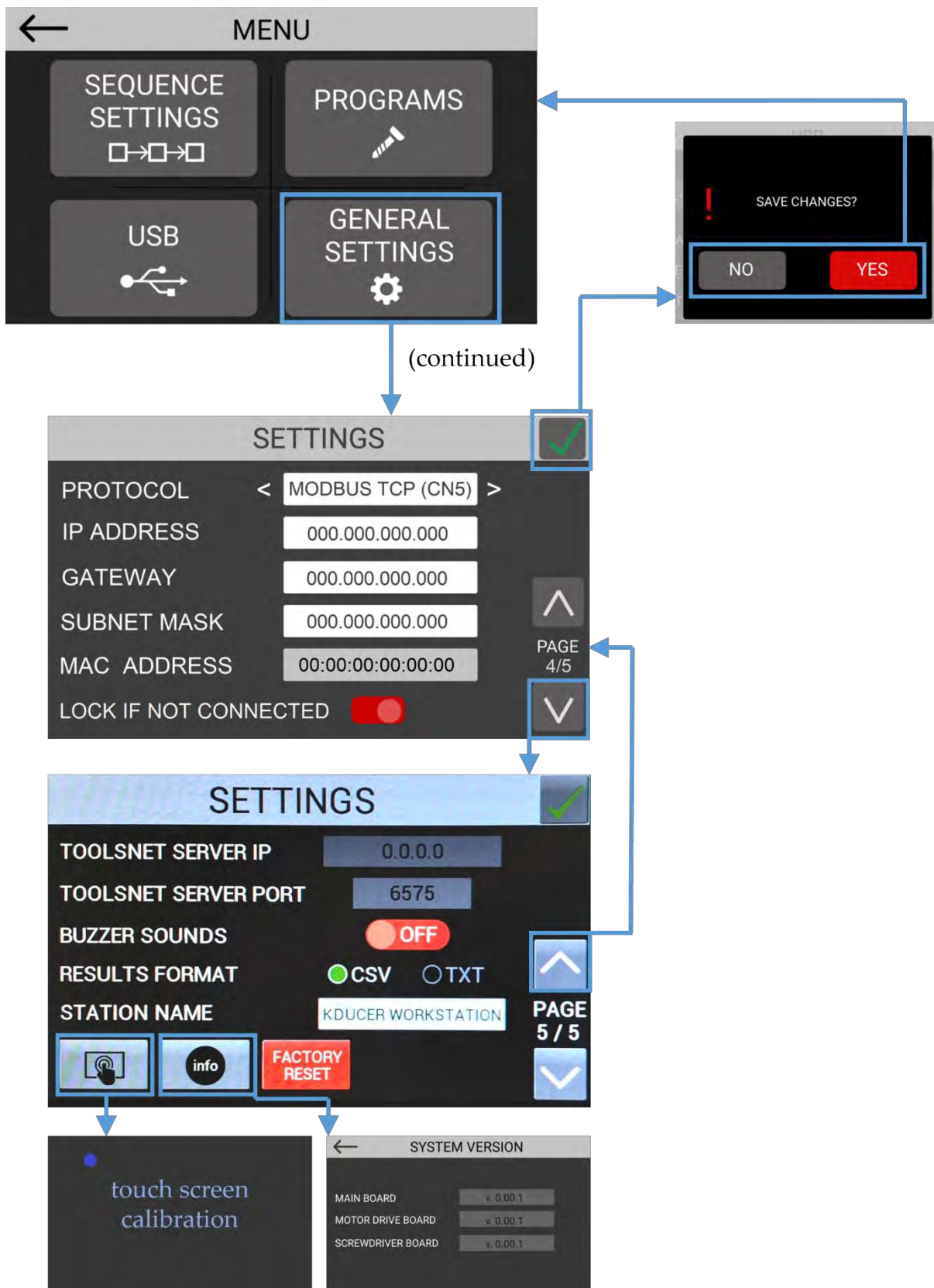
Tap to show the firmware versions loaded onto the unit and onto the connected KDS screwdriver.

**(22) FACTORY RESET**

Tap to reset the unit to the factory default settings. Follow the reboot instructions as presented. After the reset, you will be prompted to select the unit type – KDU-1 (model without ethernet port, discontinued in 2021) or KDU-1A (model with ethernet port). The model is printed on the label on the bottom side of the unit.

## GENERAL SETTINGS menu tree





## USB menu

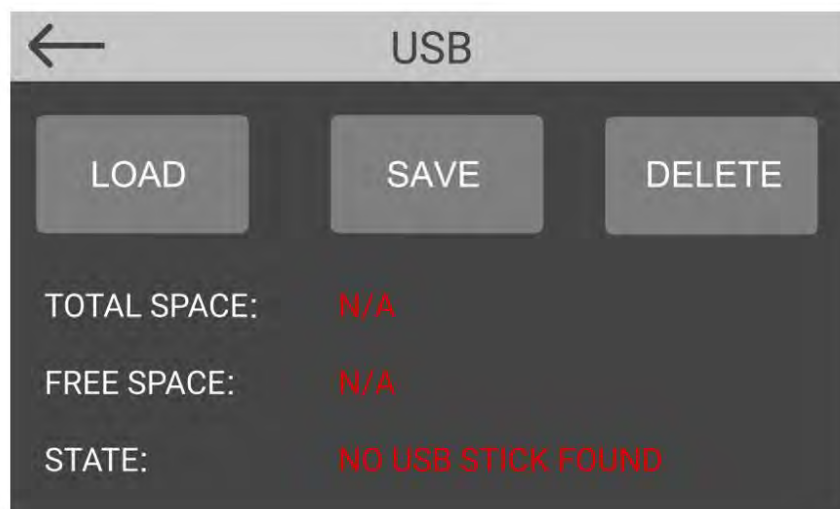
Tap the USB button from the main menu to enter the USB menu.

From this menu you can save and recall the K-DUCER configuration containing all program parameters, sequence parameters, and general settings, from a USB drive connected to the USB type-A port on the bottom of the unit.

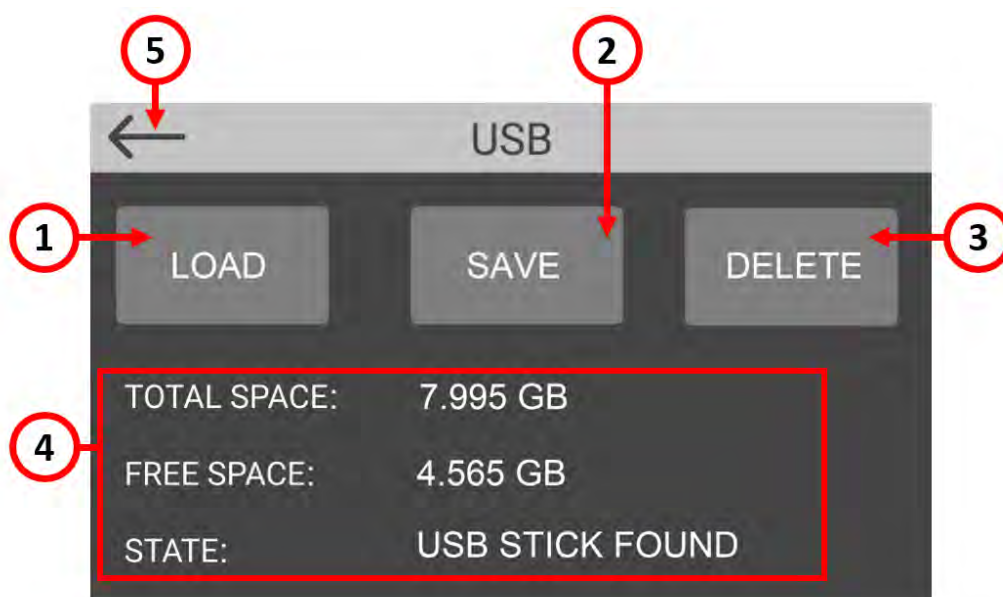
Note: use the USB type A port for this function, not the mini-USB port.

Note: the USB drive must be formatted with the FAT32 filesystem.

If there is no USB drive connected, or if the USB drive is not formatted with **FAT32** filesystem, the following screen will appear. Connect a properly formatted USB drive to correct this error.



If a properly FAT32-formatted USB key is connected, the load/save/delete buttons will be enabled:



**(1) LOAD programs button**

Tap to display a list of KDU files found in the root directory of the USB drive. Select the desired KDU file -the selected file will be highlighted in green-, previously saved from a K-DUCER unit or from the freely available K-EXPAND software for PC, then tap load to load the configuration onto the K-DUCER control unit.

**(2) SAVE programs button**

Tap to save the configuration of the K-DUCER control unit, including all program parameters, all sequence parameters, and all general settings, onto the connected USB drive. You will be prompted to enter a name for the configuration file. The file will have a .kdu extension and can be loaded onto this or other K-DUCER units or onto the freely available K-EXPAND software for PC.

**(3) DELETE programs button**

Tap to display a list of KDU files found in the root directory of the USB drive. Select a file -the selected file will be highlighted in green- and tap delete to delete it. Tap “Format Drive” to delete all files from the USB drive.

**WARNING:** all deleted files using the “delete” and “format drive” functions are permanently deleted and unrecoverable.

**(4) USB drive information**

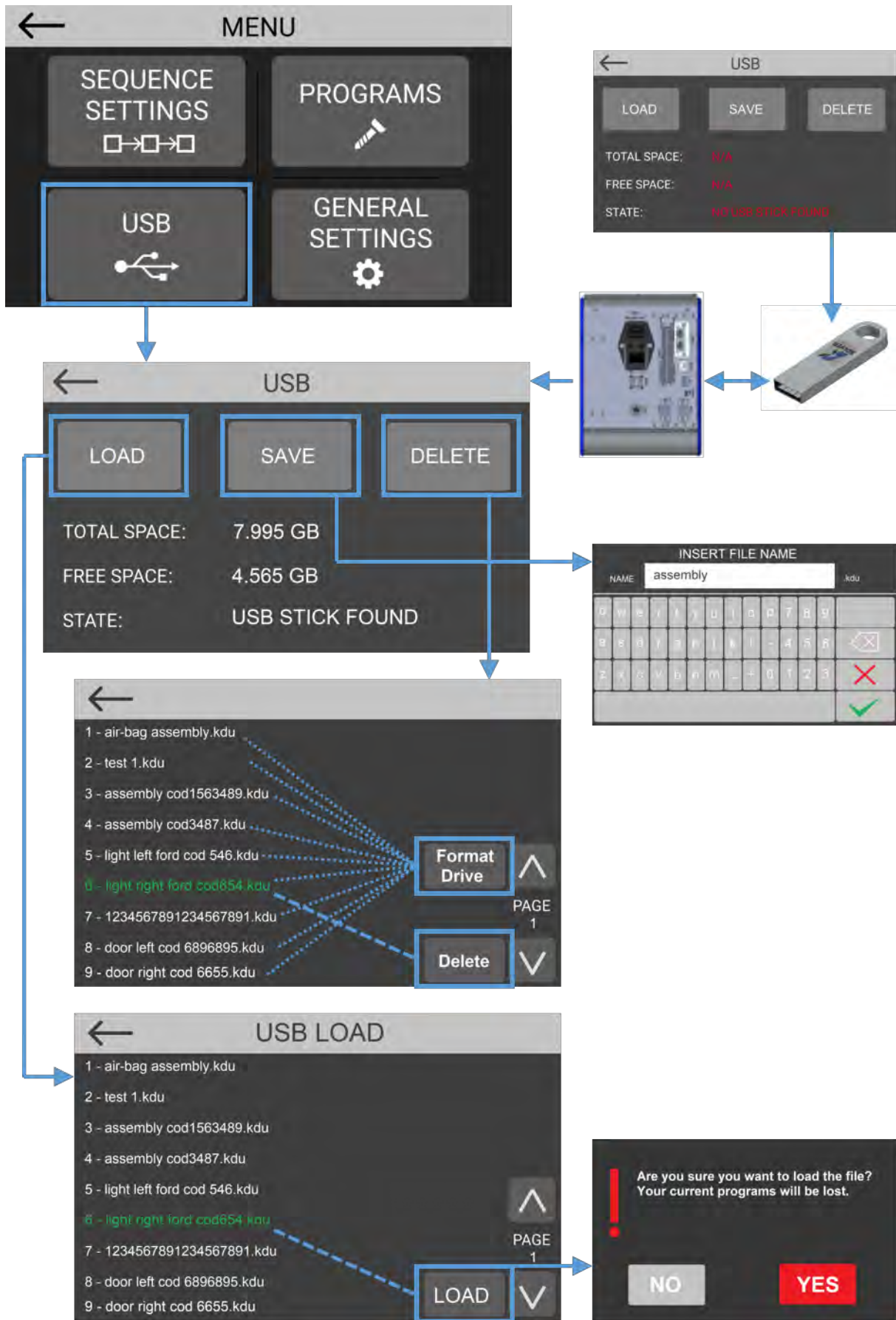
Shows the total space and available space of the connected USB drive, and whether a properly formatted USB drive is connected to the USB type-A connector on the K-DUCER unit.

Note: the unit can store about 7 million screwdriving results (cycles) for each GB of available space in the USB drive.

**(5) Exit button**

Tap to exit the USB menu.

## USB menu tree



## FREE K-EXPAND AND K-LINK SOFTWARE

Kolver offers two free software packages to accompany the K-DUCER series controllers. To download the software, visit [www.kolver.com](http://www.kolver.com), select “Industry 4.0 | K-DUCER Series” and click the download buttons on the right side., or contact kolver to obtain the setup files.

**K-Expand:** K-EXPAND is the free software created by Kolver to set, change, and save all parameters of the K-DUCER control unit. It also offers a terminal to display the screwdriving results as well as torque/angle vs time charts in real time (at the end of each tightening).

**K-Link:** K-Link is the free software provided by Kolver to automatically store the tightening results from one or more K-DUCER control units, with no user intervention required. K-Link runs as a hidden background Windows service and starts automatically.

**Note:** thanks to the simple-yet-powerful, Modbus TCP interface, any entry level programmer can create custom scripts to retrieve data and remote-control the K-Ducer from virtually any ethernet-enabled platform. Refer to the [MODBUS TCP code examples and literature](#) section for more information.

## REMOTE CONTROL INTERFACES

The K-DUCER unit supports the following data acquisition and remote-control interfaces to suit your automation and industry 4.0 needs:

- [24V I/O](#) signals (CN3), providing:
  - remote control (START/STOP/REVERSE and program/sequence selection)
  - angle counting start for [STARTING AT](#) mode “Ext”
  - binary data acquisition (OK/NOK/READY/ERROR/END)
- [MODBUS TCP](#) via ethernet port (CN5), providing:
  - remote control (same functionality as 24V I/O except angle counting start)
  - binary data acquisition (OK/NOK/READY/ERROR/END)
  - full data acquisition of last screwdriving result including torque/angle graphs
  - ability to change any program/sequence/setting parameter
- [OPEN PROTOCOL](#) (OP) via ethernet port (CN5), providing:
  - partial remote control (enable/disable tool and program/sequence selection)
  - data acquisition of last screwdriving result
  - ability to change some program/sequence/serial number parameters
  - see [Supported MIDs](#) for more details
- TOOLSNET via ethernet port (CN5), providing connectivity to the ToolsNet software via a modified version of Open Protocol. The ToolsNet PIM server IP and Port must be configured appropriately under the General Settings menu on the controller.
- Interface with [K-EXPAND software](#) via mini-USB or ethernet port, providing:
  - same functionality available through MODBUS TCP
  - easiest choice for programming of all programs/sequences/settings
  - not recommended for remote control of screwdriver other than testing
  - data acquisition and torque/angle graph visualization

Additionally, a printout of each screwdriving result can be accessed as follows:

- Through serial ports CN4 and CN2, for printing with Kolver printer accessory or receive with any serial terminal, automatically transmitted at the end of each tightening
- On a text file saved to a thumb drive connected to the USB type A port (the larger USB port), automatically generated and saved at the end of each tightening
- From a server or PC with a python script provided by Kolver (CN5 via ModBus)
- See [Retrieving and storing the screwdriving results](#) section



## 24V I/O

### Introduction

The 24V signals allow start/stop control of the screwdriver, program selection, sequence selection, error detection and clearing, and more.

The advantage of this system is the simplicity of the control, but its disadvantages are:

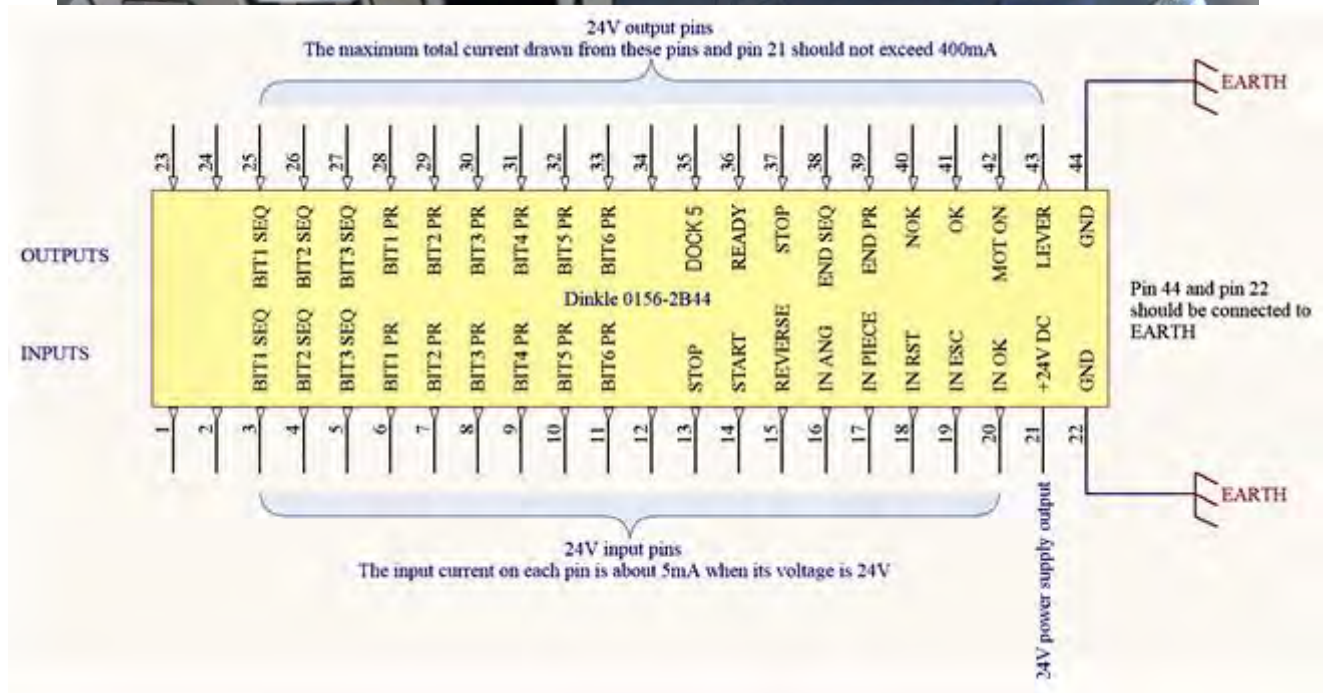
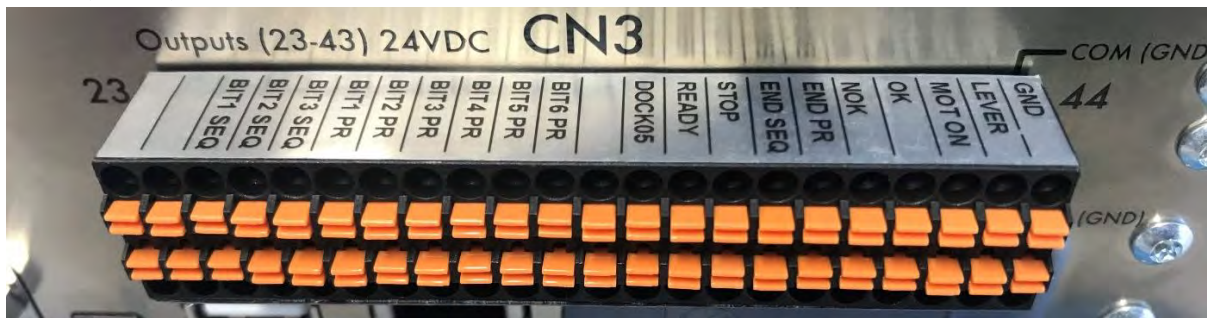
- Data acquisition capability is limited to OK / NOK signals and end program / end sequence signals. Torque and angle values cannot be read via these I/O signals.
- The 24V signals are susceptible to being disturbed by electromagnetic interference (EMI), especially in the highly noisy electrical environments often found in assembly lines. Kolver recommends using shielded wires with grounded shields and ferrite beads to limit EMI.

For these reasons, Kolver recommends using the more robust ethernet port with MODBUS TCP or Open Protocol whenever possible.

The I/O controls available via CN3 are:

- [I] Actuate the screwdriver motor (START)
- [I] Lock/disable the screwdriver (STOP / PIECE)
- [I] Program selection
- [I] Sequence selection
- [I] Error clearing (ESC)
- [I] Screw, program, or sequence reset (RST)
- [I] End Program / End Sequence acknowledgement (OK)
- [I] Angle counting start
- [O] OK/NOK result
- [O] READY status
- [O] End Program / End Sequence status
- [O] Screwdriver motor status

## Pinout (CN3)



To connect, simply push the cable or the ferrule directly onto the corresponding hole.  
To disconnect the cables, press lightly on the respective orange plate.

Solid cable section min (mm<sup>2</sup>) 0.2

Solid cable section max (mm<sup>2</sup>) 0.5

Section of braided cable min (mm<sup>2</sup>) 0.2

Section of braided cable max (mm<sup>2</sup>) 0.5

Flexible cable section with min ferrule without sheath (mm<sup>2</sup>) 0.25

Flexible cable section with max ferrule without sheath (mm<sup>2</sup>) 0.75

Flexible cable section with min ferrule with sheath (mm<sup>2</sup>) 0.25

Flexible cable section with max ferrule with sheath (mm<sup>2</sup>) 0.5

## INPUT SIDE (PINS 1-22)

The input signals must be driven by a +24VDC potential with respect to pin 22 (GND). A +24VDC potential is provided for convenience at pin 21 (24V DC).

When driving the inputs via an automated machine or PLC, it is recommended to program a delay of at least 30ms between each change of input signals.

Pulse signals (IN AGN, IN RST, ESC-EXT, OK-EXT) should be kept active for at least 30ms in order to be properly processed.

PIN	NAME	FUNCTION
1	NOT USED	
2	NOT USED	
3	BIT1 SEQ	Least significant bit to select the Sequence (see charts below)
4	BIT2 SEQ	REMOTE SEQ setting (General Settings > <a href="#">REMOTE SEQ</a> ) must be ON to enable sequence selection via input pins 3-4-5
5	BIT3 SEQ	Most significant bit to select the Sequence (see binary tables below)
6	BIT1 PR	Least significant bit to select the Program (see binary tables below)
7	BIT2 PR	REMOTE PR setting (General Settings > <a href="#">REMOTE PR</a> ) must be ON to enable program selection via input pins 6-7-8-9-10-11
8	BIT3 PR	
9	BIT4 PR	
10	BIT5 PR	
11	BIT6 PR	Most significant bit to select the Program (see binary tables below)
12	NOT USED	
13	STOP MOTOR	Remote motor stop. When active, the screwdriver stops running and remains disabled. The message "STOP MOTOR ON" appears on the display. This signal disables the screwdriver and is prioritized over any other signal: START and REVERSE signals as well as the physical lever on the screwdriver will be ignored when STOP MOTOR is active.
14	START	Remote motor start. This pin serves the same function as the physical lever on the screwdriver. Activating it initiates the screwdriver motor. The signal must be maintained active for the motor to continue running. The motor will continue running until this signal is removed or until the tightening completes according to the current program parameters (for example, when reaching torque). As soon as the tightening completes, the screwdriver motor stops and this signal will be ignored until it is pulled down (for a recommended minimum of 30ms).
15	REVERSE	Remote motor reverse start.

		This pin serves the same function as the physical reverse button on the screwdriver. The behavior of the reverse button can be configured via General Settings > <a href="#">REVERSE BUTTON</a> .
16	IN ANG	Input signal to initiate the angle measurement during a tightening , when using the external signal setting for angle measurement. See PROGRAM menu > TORQUE & ANGLE > <a href="#">STARTING AT</a> for more details.
17	MISSING PIECE	Same function as pin 13 “STOP MOTOR”, except “Error missing piece” is displayed on the status bar. Typically used in conjunction with a proximity sensor or other part detection mechanism.
18	IN RST	This signal serves the same function as the RESET button on the touch screen. The behavior of the RESET button can be configured via General Settings > <a href="#">RESET TYPE</a> . CMD OK-ESC-RESET must be set to EXT or to INT+EXT to enable using this pin (General Settings > <a href="#">CMD OK-ESC-RESET</a> ).
19	ESC EXT	This signal serves the same function as the ESC button on the touch screen, to acknowledge and reset errors. Use in conjunction with the PRESS ESC setting on PROGRAMS menu > OTHER > <a href="#">PRESS ESC</a> . CMD OK-ESC-RESET must be set to EXT or to INT+EXT to enable using this pin ( General Settings > <a href="#">CMD OK-ESC-RESET</a> ).
20	OK EXT	This signal serves the same function as the ESC button on the touch screen, to acknowledge end of program status. Use in conjunction with the PRESS OK setting on PROGRAMS menu > OTHER > <a href="#">PRESS OK</a> . CMD OK-ESC-RESET must be set to EXT or to INT+EXT to enable using this pin ( General Settings > <a href="#">CMD OK-ESC-RESET</a> ).
21	24 VDC	<u>Must not be used to power external devices</u> +24V with respect to pin 22 (GND), voltage protected. The maximum current consumption is 400mA. This pin is provided for convenience as a source to activate the input signals. For example, in a typical PLC output terminal block, one can connect the COM(+) pin of the terminal block to this 24VDC source to power the PLC output signals.
22	GND	Common ground for all inputs and outputs, in parallel with pin 44. The input signals must be driven by a +24V potential with respect to this pin (GND). When using an external 24V source to drive the inputs, the negative terminal of the external source must be connected to this pin.

## OUTPUT SIDE (PINS 23-44)

The output signals are driven by a +24VDC potential with respect to pin 44 (GND), voltage protected, with a maximum current draw of 400mA.

In a typical PLC input terminal block, the COM(-) pin of the terminal block should be connected to GND pin 44.

The output signals READY, END SEQ, END PR, NOK, and OK, remain active until the screwdriver changes state again, for example, when the operator or the PLC initiates another tightening.

PIN	NAME	FUNCTION
23	NOT USED	
24	NOT USED	
25	BIT1 SEQ	Least significant bit indicating currently selected sequence.
26	BIT2 SEQ	(see binary tables below)
27	BIT3 SEQ	Most significant bit indicating currently selected sequence.
28	BIT1 PR	Least significant bit indicating currently selected program.
29	BIT2 PR	(see binary tables below)
30	BIT3 PR	Note: pins 28-33 will blink when using Kolver CBS or SBX accessories or <a href="#">REMOTE PR</a> with <a href="#">SEQUENCE toggle</a> active.
31	BIT4 PR	
32	BIT5 PR	
33	BIT6 PR	Most significant bit indicating currently selected program.
34	NOT USED	
35	DOCK05	Mirrors 'BIT6 PR', for use with DOCK05 dual screwdriver accessory. This pin does not blink when using Kolver CBS or SBX accessories or <a href="#">REMOTE PR</a> with <a href="#">SEQUENCE toggle</a> active. v34 and later only.
36	READY	This signal is active when the screwdriver is in stand-by, ready to receive the START or REVERSE input commands.
37	STOP	This signal is active when the screwdriver is in STOP MOTOR state. Note that entering the configuration menu on the touch screen puts the screwdriver in the STOP MOTOR state.
38	END SEQ	This signal is active when the currently selected sequence completes, in other words, when the last screw of the last program in the sequence is tightened successfully (with OK result). This signal remains active until the screwdriver changes state again, for example, when the operator or the PLC initiates another tightening.
39	END PR	This signal is active when the currently selected program completes, in other words, when the last screw of the program is tightened successfully (with OK result). This signal will not activate if the "number of screws" setting of the program is zero.

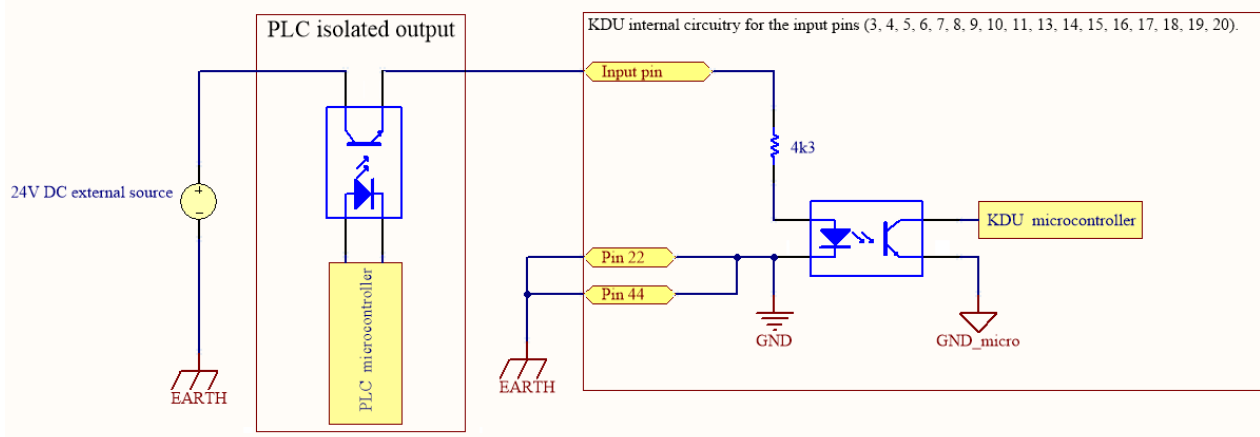
40	NOK	(Not-OK) This signal activates when the tightening (screw) completes unsuccessfully, outside of the parameters set for the current program, for example: torque reached under minimum time, torque reached outside angle bounds, etc. This signal remains active until the screwdriver changes state again, for example, when the operator or the PLC initiates another tightening.
41	OK	This signal activates when the tightening (screw) completes successfully and within the parameters set for the current program. This signal remains active until the screwdriver changes state again, for example, when the operator or the PLC initiates another tightening.
42	MOTOR ON (/W)	It activates when the screwdriver is tightening. Note: this signal does not activate when the screwdriver is reversing, it is intended for use with auto-advancing fixtures and arms.
43	LEVER	It activates when the screwdriver lever is pressed.
44	GND	Common ground for all inputs and outputs, in parallel with pin 22. The 24V output signals must be taken between the output pin of interest and this ground pin. In a typical PLC input terminal block, the COM(-) pin of the terminal block should be connected to GND pin 44.

## Wiring diagrams

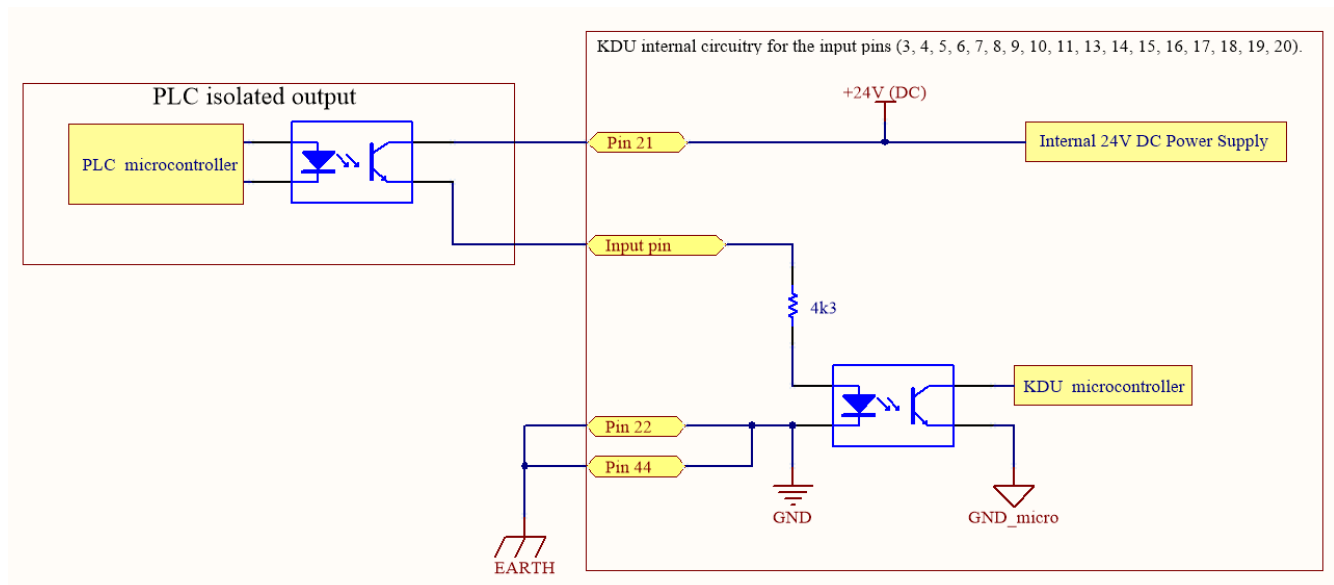
### Inputs (pins 1-20)

All inputs (Pins 1 to 20) of the CN3 connector require a 24V DC positive signal. The signals can be powered via an external 24VDC source, in which case the negative terminal of the source should be connected to pin 22, or via pin 21 (internal 24VDC), in which case the contact can be controlled with opto-isolator, relay or button to activate the desired input.

Example on how to enable Input signals using an external source:

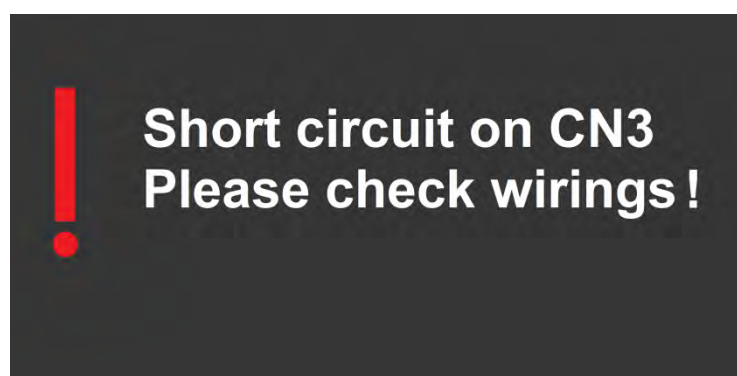


Example on how to enable Input signals using the internal tension on Pin 21:

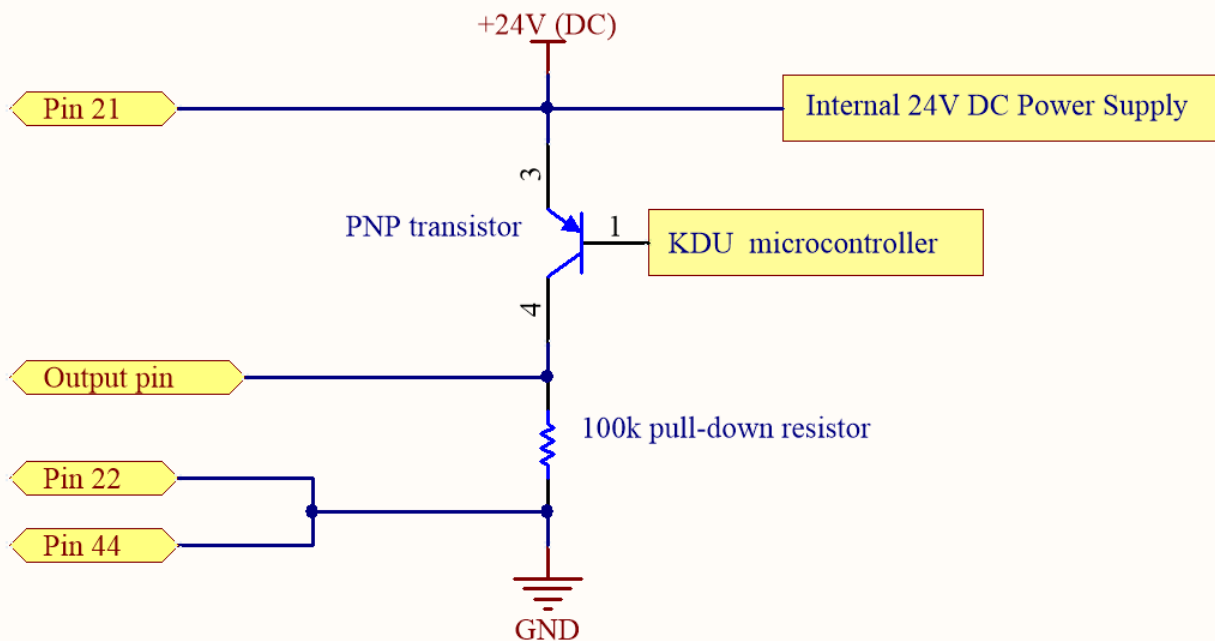


### Outputs (pins 23-43)

When active, an output pin will provide a 24V DC signal on the respective pins with respect to ground pins 22/44. The signals can be used to activate LEDs / sensors or read directly from an external PLC. In this case the negative terminal of the KDU unit (pins 22 / 44) must be connected with the negative terminal of the PLC terminal block. The total power of the output signals is Max 400mA; if exceeded, a protection circuit deactivates the output signals and activates an alarm on the display (see figure below). The alarm signal remains active until the power draw drops below the 400mA threshold, which is checked every 2 seconds.



KDU internal circuitry for the output pins (25, 26, 27, 28, 29, 30, 31, 32, 33, 37, 38, 39, 40, 41, 42, 43).



## Binary tables for sequence and program selection

Refer to the tables below for sequence or program selection via CN3, where “1” refers to an active +24VDC signal with respect to the GND pin and “0” refers to no signal.

The REMOTE PR or REMOTE SEQ setting (General Settings > [REMOTE PR](#) and [REMOTE SEQ](#)) must be active for the input selection to work.

The outputs pins 25-33 will always be active irrespective of the REMOTE PR/SEQ setting, following the same binary code pattern for the input side reported below.

Sequence	BIT3 SEQ PIN 5	BIT2 SEQ PIN 4	BIT1 SEQ PIN 3
-	0	0	0
A	0	0	1
B	0	1	0
C	0	1	1
D	1	0	0
E	1	0	1
F	1	1	0
G	1	1	1
H	Not Selectable		



PR #	BIT6PR PIN11	BIT5PR PIN10	BIT4PR PIN9	BIT3PR PIN8	BIT2PR PIN7	BIT1PR PIN 6	PR #	BIT6PR PIN11	BIT5PR PIN10	BIT4PR PIN9	BIT3PR PIN8	BIT2PR PIN7	BIT1PR PIN 6
-	0	0	0	0	0	0	32	1	0	0	0	0	0
1	0	0	0	0	0	1	33	1	0	0	0	0	1
2	0	0	0	0	1	0	34	1	0	0	0	1	0
3	0	0	0	0	1	1	35	1	0	0	0	1	1
4	0	0	0	1	0	0	36	1	0	0	1	0	0
5	0	0	0	1	0	1	37	1	0	0	1	0	1
6	0	0	0	1	1	0	38	1	0	0	1	1	0
7	0	0	0	1	1	1	39	1	0	0	1	1	1
8	0	0	1	0	0	0	40	1	0	1	0	0	0
9	0	0	1	0	0	1	41	1	0	1	0	0	1
10	0	0	1	0	1	0	42	1	0	1	0	1	0
11	0	0	1	0	1	1	43	1	0	1	0	1	1
12	0	0	1	1	0	0	44	1	0	1	1	0	0
13	0	0	1	1	0	1	45	1	0	1	1	0	1
14	0	0	1	1	1	0	46	1	0	1	1	1	0
15	0	0	1	1	1	1	47	1	0	1	1	1	1
16	0	1	0	0	0	0	48	1	1	0	0	0	0
17	0	1	0	0	0	1	49	1	1	0	0	0	1
18	0	1	0	0	1	0	50	1	1	0	0	1	0
19	0	1	0	0	1	1	51	1	1	0	0	1	1
20	0	1	0	1	0	0	52	1	1	0	1	0	0
21	0	1	0	1	0	1	53	1	1	0	1	0	1
22	0	1	0	1	1	0	54	1	1	0	1	1	0
23	0	1	0	1	1	1	55	1	1	0	1	1	1
24	0	1	1	0	0	0	56	1	1	1	0	0	0
25	0	1	1	0	0	1	57	1	1	1	0	0	1
26	0	1	1	0	1	0	58	1	1	1	0	1	0
27	0	1	1	0	1	1	59	1	1	1	0	1	1
28	0	1	1	1	0	0	60	1	1	1	1	0	0
29	0	1	1	1	0	1	61	1	1	1	1	0	1
30	0	1	1	1	1	0	62	1	1	1	1	1	0
31	0	1	1	1	1	1	63	1	1	1	1	1	1
PR #	BIT6PR PIN11	BIT5PR PIN10	BIT4PR PIN9	BIT3PR PIN8	BIT2PR PIN7	BIT1PR PIN 6	PR #	BIT6PR PIN11	BIT5PR PIN10	BIT4PR PIN9	BIT3PR PIN8	BIT2PR PIN7	BIT1PR PIN 6

**Note:** for safety reasons, Kolver has chosen not to associate any program or sequence if no input is activate. This makes sequence H and program 64 not selectable via CN3 inputs. It is still possible to select sequence H or program 64 manually, with Kolver accessories, or via one of the communication protocols.

## MODBUS TCP

Note: the full K-DUCER MODBUS Map along with several code examples, guides, and literature can be found at: at <https://kolverusa.com/products-list/16-Industry-40-KDUCER-Series>

### Introduction

The recommended way to interface with the K-DUCER unit is through the MODBUS TCP protocol on the ethernet port (CN5).

MODBUS communication protocol provides a Client-Server interface between devices connected on an ethernet TCP/IP network.

The MODBUS protocol specifications are open source and freely available online at [modbus.org](http://modbus.org), however most automation engineers will not need to worry about the implementation details because MODBUS is already supported and implemented by most ethernet-capable PLCs and industrial PCs.

### Usage

Enable MODBUS TCP via the General Settings menu > [COMMUNICATION PROTOCOL](#).

The K-DUCER should be connected to the same LAN network as the controlling device, and it must be left in the main operation screen, outside of any configuration menu.

Note: the K-DUCER will respond to the *ping* command over TCP/IP when configured correctly.

The K-DUCER implements a MODBUS server, which responds to MODBUS requests. The automation device (PLC, industrial PC, ...) must implement a MODBUS client, which sends MODBUS requests to the server (K-DUCER).

The MODBUS server (K-DUCER) only responds to requests and never initiates any communication independently, in accordance with the MODBUS protocol.

A MODBUS request is simply a message requesting to read or write one or more *bits* or *bytes* of data at a particular address. The list of all accessible data and their addresses is called the MODBUS map.

MODBUS requests are categorized into *function codes*. Different function codes are used to access different types of data (bits-coils or bytes-registers). There are also convenience function codes used to access a range of multiple data addresses at once.

All program, sequence, and general settings can be modified via MODBUS requests. However, Kolver recommends pre-configuring the K-DUCER programs and settings via the K-Expand software, via touch screen, or via kdu backup file from USB, and only

utilizing the MODBUS TCP protocol for screwdriver control, program switching, and data acquisition.

Changing program parameters such as target torque via MODBUS is possible, but it shouldn't be necessary except for the rare applications requiring more than 64 different programs, or requiring dynamically calculated torque or angle targets.

## K-DUCER MODBUS map

The K-DUCER, MODBUS data is organized and accessed as follows:

Data Category	Contents	Access	Associated MODBUS function codes
<b>COILS</b> (bits)	A mirror copy of the CN3 output pins 23 to 43 represented as bits;  Writeable coils mimicking the functionality of CN3 input pins 13 to 20, providing screwdriver motor control capability	Read/ Write	01 (read coils)  05 (write single coil)  15 (write multiple coils)
<b>INPUT REGISTERS</b> (bytes)	Data related to the last screwdriving results including closing torque and angle; torque/angle charts; current screwdriving state and errors; connected screwdriver info	Read only	04 (read input registers)
<b>HOLDING REGISTERS</b> (bytes)	Current selected program; Remote programming mode enter/exit flag; All program settings; All sequence setting; Current selected sequence; All options settings. Barcode	Read/ Write*	03 (read holding registers)  06 (write single register)  16 (write multiple registers)
<b>DISCRETE INPUTS</b>	A mirror copy of the CN3 input pins 1 to 20 represented as bits	Read only	

\***Note:** all holding registers except for *CurrentProgram* (7373), *CurrentSequence* (7372), *Barcode* (7380), and *Remote Programming Status* (7790), can only be written after entering Remote Programming Mode. These registers contain all program, sequence, and option

settings. It is possible but not recommended to change these parameters via MODBUS. To modify holding registers via MODBUS, follow these steps:

- Write the value “1” to address 7790 to enter “Remote Programming Mode” using MODBUS function code 06 “write single register”
- Change the desired holding register values using MODBUS function codes 06 or 16
- Write the value “2” to address 7790 to apply the changes and exit “Remote Programming Mode”

The full MODBUS map can be found at <https://kolverusa.com/products-list/16-Industry-40-KDUCER-Series>

## MODBUS TCP code examples and literature

We provide sample projects illustrating K-DUCER screwdriver control built by Kolver for various devices, as well as generic MODBUS TCP guides and literature produced by the manufacturers of these devices at <https://kolverusa.com/products-list/16-Industry-40-KDUCER-Series>

The packet also contains open source scripts to retrieve and store the K-Ducer screwdriving results, written in PowerShell, Python, and C#, that can be used as provided or as a starting point for in-house software development.

We also recommend searching youtube for a multitude of freely available videos illustrating how to implement MODBUS TCP communication with various PLC and industrial PC control systems.

Anybus, Rockwell, Allen Bradley, MicroPLC, ControlLogix, CompactLogix, Siemens, SIMATIC, Universal Robots, PolyScope, are all trademarks of their respective corporations and are not affiliated with Kolver.

# OPEN PROTOCOL

## Introduction

The K-DUCER control unit supports a subset of the Open Protocol communication interface, based on the Open Protocol specification release 1.6, revision 3.

The Open Protocol communication interface gives the K-DUCER plug-and-play compatibility with any MES software (Manufacturing Execution System) that supports Open Protocol 1.6 rev3.

Enable Open Protocol via the General Settings menu > [COMMUNICATION PROTOCOL](#), selecting "OP". OP works on TCP/IP port 4545, one connection at a time.

## Terminology

Open Protocol	K-DUCER
Pset (Parameter set)	Program (numbered 1 through 64)
Batch size	Number of screws (configured for each program, default 1, max 99)
Job	Sequence of up to 16 programs. Sequences are identified as letters in the KDucer unit, but as numbers (Job IDs) within the context of Open Protocol. A=1, B=2, C=3, D=4, E=5, F=6, G=7, H=8
VIN	Barcode (for barcode mode "on S/N" only)

## Supported MIDs

MID	Description	Revision(s)	Sent by	Response MID
0001	Communication Start	001 - 005	Integrator	0002 or 0004
0002	Communication Start Acknowledge	001 - 005	Controller	None
0003	Communication Stop	001	Integrator	0005
0004	Command Error	001	Controller	None
0005	Command Accepted	001	Controller	None
0010	Pset Id upload request	001	Integrator	0011
0011	Pset Id upload reply	001	Controller	None
0012	Pset data upload request	001	Integrator	0013 or 0004
0013	Pset data upload reply	001	Controller	None
0014	Pset selected subscribe	001, 002	Integrator	0005 and 0015
0015	Pset selected	001, 002	Controller	0016
0016	Pset selected acknowledge	001	Integrator	None
0017	Pset selected unsubscribe	001	Integrator	0005 or 0004
0018	Select Pset	001	Integrator	0005 or 0004
0019	Set Batch Size	001	Integrator	0005 or 0004
0020	Reset Batch Counter	001	Integrator	0005 or 0004
0030	Job ID upload request	001	Integrator	0031
0031	Job ID upload reply	001	Controller	None

0032	Job data upload request	001	Integrator	0033 or 0004
0033	Job data upload reply	001	Controller	None
0034	Job info subscribe	001	Integrator	0005 or 0004
0035	Job info	001	Controller	None or 0036
0036	Job info acknowledge	001	Integrator	None
0037	Job info unsubscribe	001	Integrator	0005 or 0004
0038	Select Job	001	Integrator	0005 or 0004
0039	Job restart	001	Integrator	0005 or 0004
0042	Disable tool	001	Integrator	0005
0043	Enable tool	001	Integrator	0005
0050	Vehicle ID Number download request	001	Integrator	0005 or 0004
0051	Vehicle ID Number subscribe	001	Integrator	0005 or 0004
0052	Vehicle ID Number	001	Controller	0053
0053	Vehicle ID Number Acknowledge	001	Integrator	None
0054	Vehicle ID Number Unsubscribe	001	Integrator	0005 or 0004
0060	Last tightening result data subscribe	001, 002	Integrator	0005 or 0004
0061	Last tightening result data	001, 002	Controller	None or 0062
0062	Last tightening result data acknowledge	001, 002	Integrator	None
0063	Last tightening result data unsubscribe	001, 002	Integrator	0005 or 0004
0070	Alarm subscribe	001	Integrator	0005 or 0004
0071	Alarm	001	Controller	None or 0072
0072	Alarm acknowledge	001	Integrator	None
0073	Alarm unsubscribe	001	Integrator	0005 or 0004
0113	Flash Green Light*	001	Integrator	0005 or 0004
0127	Abort Job	001	Integrator	0005 or 0004
0130	Job Off	001	Integrator	0005 or 0004
<b>MID</b>	<b>Description</b>	<b>Revision(s)</b>	<b>Sent by</b>	<b>Response MID</b>

\*the **Flash Green Light** mid 0113 is implemented as two acoustic beeps.

**Note:** the **Job Off** mid 0130 can be used to both activate and deactivate Sequence Mode (Job Mode).

## TOOLSNET OPEN PROTOCOL (beta)

To connect the K-Ducer to your ToolsNet installation via the ToolsNet Open Protocol:

1. Select the "ToolsNet" [COMMUNICATION PROTOCOL](#) (general settings menu)
2. Assign a static IP address, gateway, and subnet mask to the K-Ducer, compatible with the LAN network where the ToolsNet Server operates
3. Enter the ToolsNet Server PIM service IP address and port on the [TOOLSNET SETTINGS \(beta\)](#) menu (general settings menu).

## PROFINET / Ethernet IP / EtherCAT / others

Most PLCs are capable of communication via MODBUS TCP and come with ready-to-use MODBUS TCP libraries.

Kolver provides example projects for remote control and data acquisition of the K-DUCER via MODBUS TCP for Siemens (S7-1200) and AllenBradley (Micro800 series) PLCs. For those customers requiring or preferring to communicate or control the K-DUCER directly using other communication protocols such as PROFINET, Ethernet IP, or EtherCAT, Kolver recommends purchasing a protocol converter such as [ADFWeb protocol converters](#) , Anybus x-gateway converters, or similar devices.

Kolver can provide support in configuring these products.

ADFWeb, Anybus, Rockwell, Allen Bradley, MicroPLC, ControlLogix, CompactLogix, Siemens, SIMATIC, Universal Robots, PolyScope, are all trademarks of their respective corporations and are not affiliated with Kolver.

# MAINTENANCE AND CARE

## INTRODUCTION

K-DUCER and KDS screwdrivers are precision tools. While built to withstand heavy use in industrial environments, good care and proper maintenance will go a long way in ensuring the best performance and lifetime of your instrument.

Make sure to follow the [INSTALLATION](#) instructions for the K-DUCER, KDS screwdriver, and the reaction arm.

The most important factor in ensuring long-lasting performance and lifetime of the instrument is to configure it properly for the job required. Read this manual carefully to ensure the tool is optimally configured for your application.

Some factors that can overwork and overheat the screwdriver include:

- Combination of high torque and low speed on very elastic joints (note that the screwdriver delivers high torques more efficiently at higher speeds)
- Very high duty cycles (< 3 seconds between tightenings), depending on the difficulty (torque, elasticity, speed) of the tightening
- High torques are defined as above 80% of the maximum nominal torque for the KDS screwdriver model. Consider upsizing to a higher-torque screwdriver model if most of your cycles are above 80% of the maximum nominal torque.

## CALIBRATION

Recommended calibration interval: every 1,000,000 cycles. See [TOOL INFO](#) to check the number of cycles of your KDS screwdriver.

Kolver supplies all KDS series screwdrivers with the transducer pre-calibrated on a semi-elastic joint at a final speed of 100RPM (KDS models 15Nm and smaller) or 50RPM (KDS models 20Nm and larger). The calibration settings are unique to each KDS screwdriver and saved on the KDS screwdriver board.

Contact your Kolver representative to schedule a maintenance and calibration service with Kolver or through one of our ISO/NIST certified lab partners.

Alternatively, Kolver can provide calibration instructions for you to perform the calibration in-house.



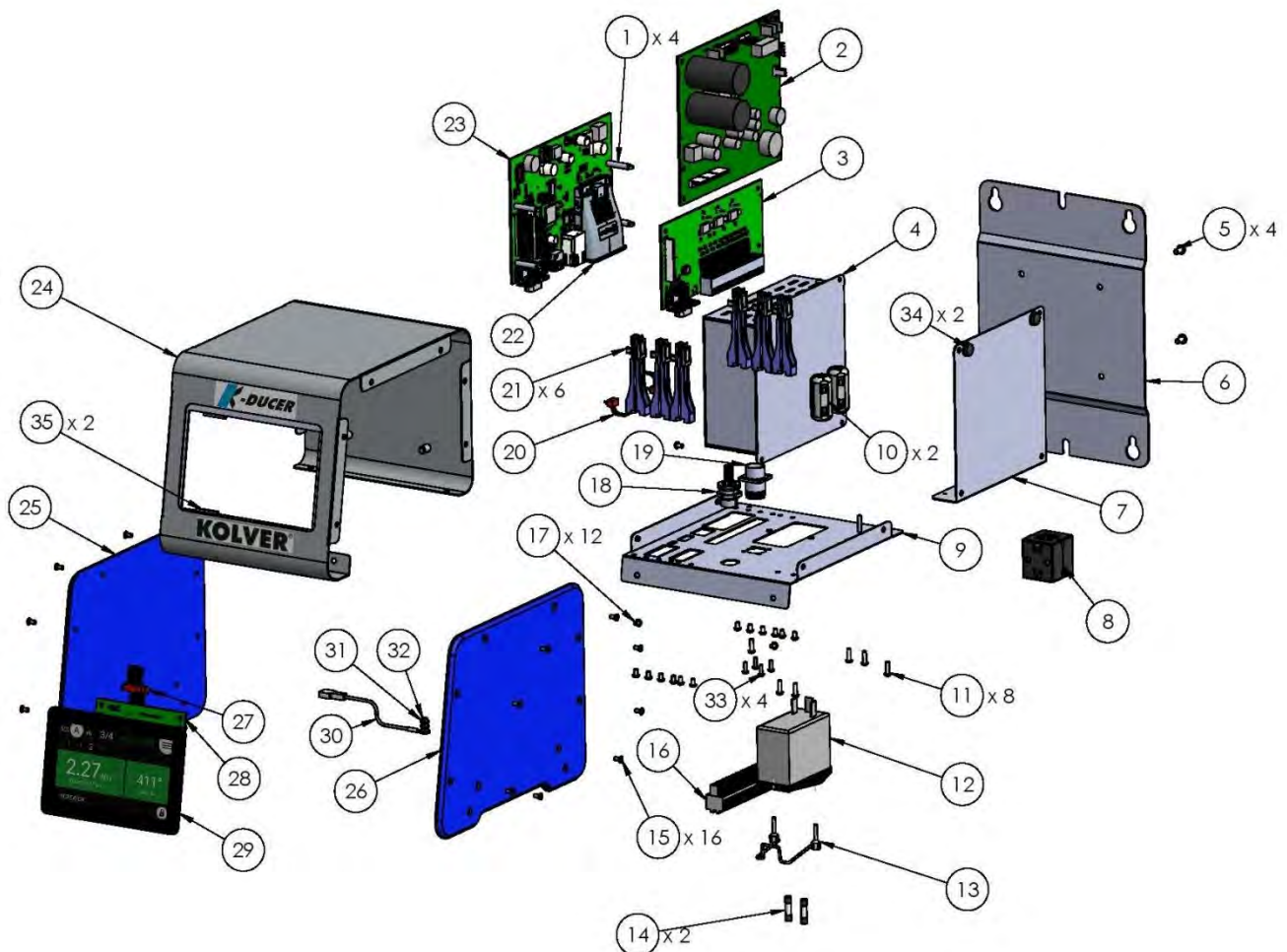
## MAINTENANCE

Recommended maintenance interval: every 500,000 cycles or 12 months, whichever comes first. See [TOOL INFO](#) to check the number of cycles of your KDS screwdriver.

Maintenance consists of disassembling the screwdriver to clean and relubricate the gearbox, and checking the calibration of the screwdriver against a certified torque measurement tool. Contact your Kolver representative to schedule a maintenance service. Alternatively, Kolver can provide maintenance instructions.

## EXPLODED VIEWS AND SPARE PARTS

### EXPLODED VIEW KDU-1A:



## SPARE PARTS KDU-1A:

Position	Description	Quantity	Part Number
1	SPACER 22MM KDU	4	872522
2	MOTOR BOARD K-DUCER	1	852530
3	I/O BOARD (44 PIN CONNECTOR) - KDU	1	852533/B
4	SWITCHING	1	872490
5	SCREW M4X8 ZN TX20	4	872534
6	SIDE PLATE	1	872504
7	SUPPORT SWITCHING PLATE KDU	1	872505
8	FERRITE RKCF-08-A5	1	872468
9	BOARDS SEAT	1	872503/A
10	FERRITE SCREWDRIVER CONNECTOR	2	872523
11	SCREW M3X10 ZN TX10	6	231530
12	FILTER AR13.6 A	1	800718
13	ANTI-UNTHREAD PLUGS	1	800719
14	FUSE 3,15A F-520LT3.15	2	800619
15	SCREW TSP M3X8 TX10 ZN	16	801009
16	CONNECTOR I/O 44PIN	1	872526
17	SCREW M3 X 5 ZN TX10	18	872444
18	CONNECTOR M12 8 POLI FEMALE	1	872537
19	CONNECTOR M16 10 PIN FEMALE	1	201668/HU
20	FLAT CABLE 4 PIN	1	872539
21	SUPPORT MOTOR BOARD	6	872442
22	ANYBUS	1	872521
23	I/O (MICRO) BOARD	1	852533/A
24	FRONT PANEL	1	872502
25	LEFT SIDE KDU	1	872500
26	RIGHT SIDE KDU	1	872501
27	FLAT CABLE 8 PIN + FERRITE	1	872540
28	FTDI DISPLAY TOUCH BOARD	1	852529
29	DISPLAY TOUCH 5" DLC0500HZR-T-17	1	852532
30	GROUND CABLE	1	800090/E
31	WASHER M3	3	800041
32	M3 BRUSSEUR NUT	3	800056/O
33	SCREW M2,5X8 ZN TX10	4	872478
34	RUBBER SUPPORT	2	800016
35	GASKET	2	872524
	LABEL	1	818006/SW
	CABLE 3x0,75 H05VVF 2mt. SCHUKO	1	800620

## GUARANTEE

This KOLVER product is guaranteed against defective workmanship or materials, for a maximum period of 12 months following the date of purchase from KOLVER, provided that its usage is limited to single shift operation throughout that period. If the usage rate exceeds of single shift operation, the guarantee period shall be reduced on a prorata basis. If, during the guarantee period, the product appears to be defective in workmanship or materials, it should be returned to KOLVER or its distributors, transport prepaied, together with a short description of the alleged defect. KOLVER shall, at its sole discretion, arrange to repair or replace free of charge such items.

This guarantee does not cover repair or replacement required as a consequence of products which have been abused, misused or modified, or which have been repaired using not original KOLVER spare parts or by not authorized service personnel.

KOLVER accepts no claim for labour or other expenditure made upon defective products. Any direct, incidental or consequential damages whatsoever arising from any defect are expressly excluded.

This guarantee replaces all other guarantees, or conditions, expressed or implied, regarding the quality, the marketability or the fitness for any particular purpose.

No one, whether an agent, servant or employee of KOLVER, is authorized to add to or modify the terms of this limited guarantee in any way. However it's possible to extend the warranty with an extra cost. Further information at [kolver@kolver.it](mailto:kolver@kolver.it).