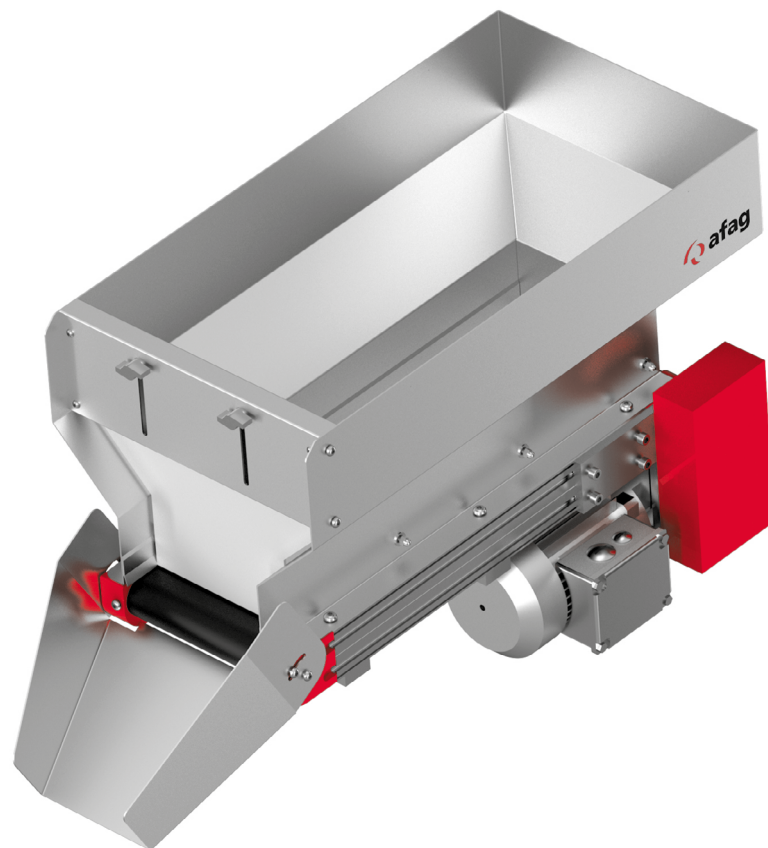


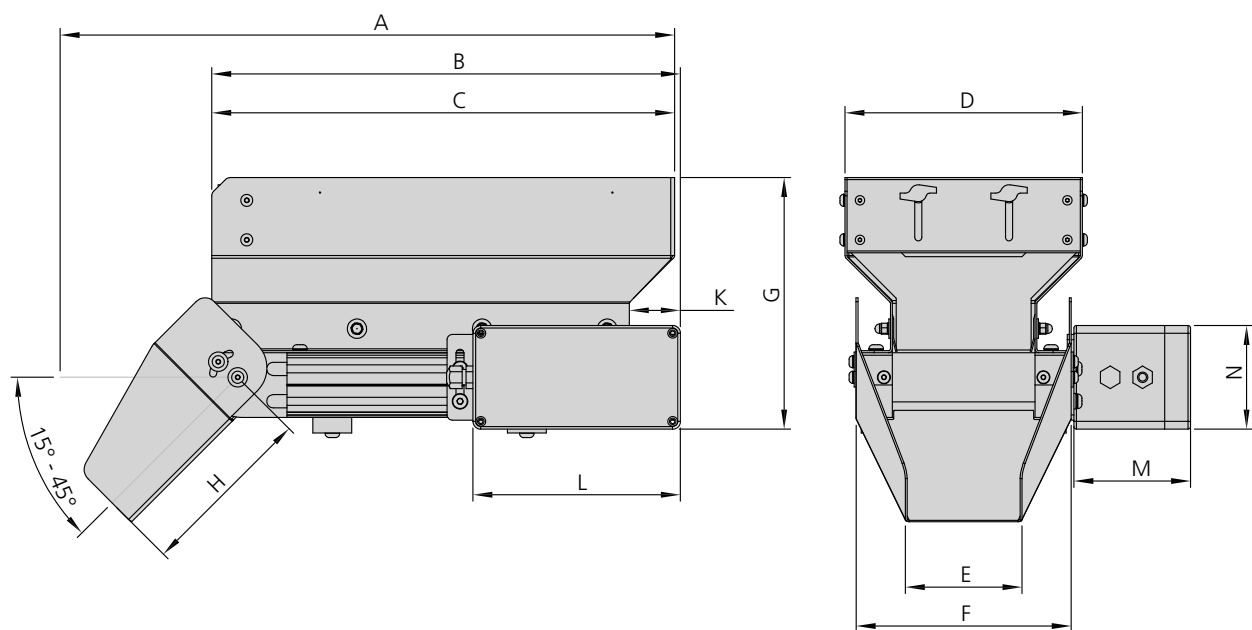
# Industrial belt hopper

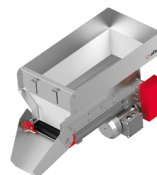
## IBB3.5 - IBB50



- Parts storage and dosing for feeding devices, weighing and counting units
- Stainless steel hopper tray with adjustable front panel
- Filling volumes from 3.5 l to 50 l and filling weights up to 70 kg possible

Type	IBB3.5	IBB6
A	377 mm	457 mm
B	292 mm	357 mm
C	302 mm	362 mm
D	150 mm	180 mm
E	70 mm	90 mm
F	146 mm	166 mm
G	177 mm	197 mm
H	117 mm	137 mm
K	40 mm	40 mm
L	160 mm	160 mm
M	92.5 mm	92.5 mm
N	80 mm	80 mm

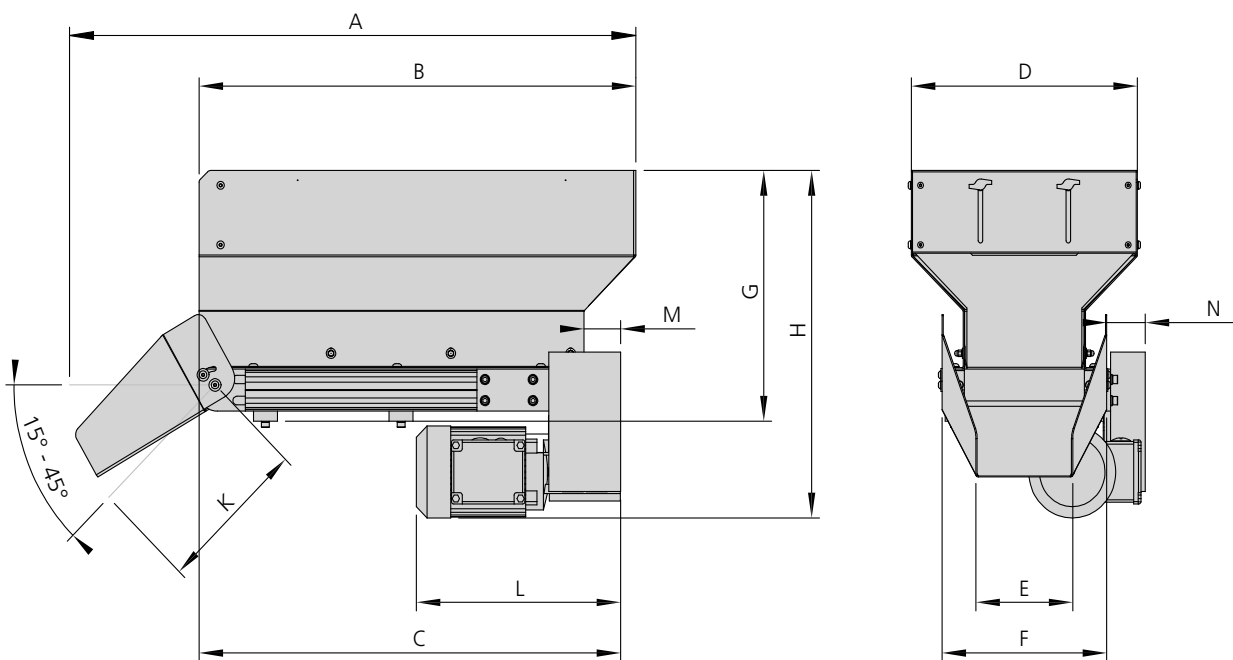


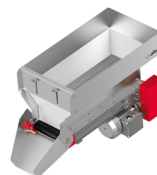


<b>IBB</b>		
Operating temperature		-5 - 60 °C

Type	IBB3.5	IBB6
<b>Order number</b>	<b>50494738</b>	<b>50494739</b>
Nominal voltage	24 V	24 V
Power output	10 W	10 W
Max. power consumption	9.6 VA	9.6 VA
Net weight	7 kg	10 kg
Load volume	3.5 l	6 l
Maximum filling weight	30 kg	35 kg
Belt speed	0.1 m/min	0.1 m/min
Conveyor belt	PU-coated black (ESD-compatible)	PU-coated black (ESD-compatible)
Protection type	IP54	IP54

Type	IBB12	IBB25	IBB50
A	552 mm	662 mm	787 mm
B	427 mm	547 mm	662 mm
C	412 mm	412 mm	613 mm
D	230 mm	280 mm	350 mm
E	110 mm	120 mm	150 mm
F	196 mm	206 mm	246 mm
G	232 mm	297 mm	263 mm
H	346.5 mm	411.5 mm	476.5 mm
K	172 mm	182 mm	207 mm
L	256 mm	256 mm	256 mm
M	31 mm	31 mm	31 mm
N	49 mm	49 mm	49 mm





<b>IBB</b>	
Operating temperature	-5 - 60 °C

Type	IBB12	IBB25	IBB50
<b>Order number</b>	<b>50494740</b>	<b>50494741</b>	<b>50494742</b>
Mains connection (mains voltage/mains frequency)	230 V/50 Hz	230 V/50 Hz	230 V/50 Hz
Power output	90 W	90 W	90 W
Max. power consumption	195.5 VA	195.5 VA	195.5 VA
Net weight	15 kg	18 kg	23 kg
Load volume	12 l	25 l	50 l
Maximum filling weight	50 kg	60 kg	70 kg
Belt speed	0.85 m/min	0.85 m/min	0.85 m/min
Conveyor belt	PU-coated black (ESD-compatible)	PU-coated black (ESD-compatible)	PU-coated black (ESD-compatible)
Protection type	IP54	IP54	IP54