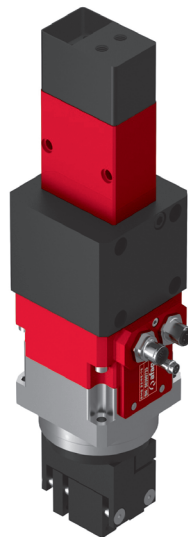
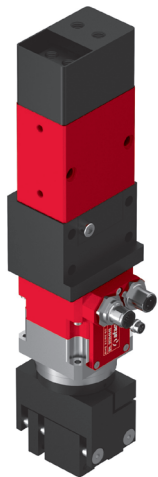
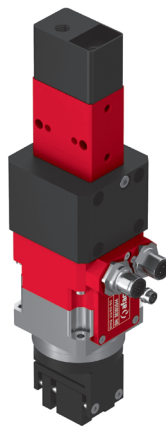


# Gripping rotary modules GMQ/RE

GMQ 12/RE-50 - GMQ 32/RE-75



## Table of contents: GMQ/RE

| Gripping rotary modules GMQ/RE | Page |
|--------------------------------|------|
| GMQ 12/RE-50                   | 299  |
| GMQ 20/RE-50                   | 303  |
| GMQ 32/RE-50                   | 307  |
| GMQ 32/RE-75                   | 311  |

# Nomenclature-Setup

## GMQ/RE

| GMQ 12/P /RE-50 | Gripping rotary module           | Possible specifications |
|-----------------|----------------------------------|-------------------------|
| GMQ             | gripper actuator                 | GMQ                     |
| 12              | piston diameter gripper actuator | 12                      |
|                 |                                  | 20                      |
|                 |                                  | 32                      |
| P               | gripper                          | ../K                    |
|                 |                                  | ../P                    |
|                 |                                  | ../P-01                 |
| RE              | rotation module                  | RE                      |
|                 |                                  | RE..18-100 V            |
| 50              | size rotation module             | 50                      |
|                 |                                  | 75                      |

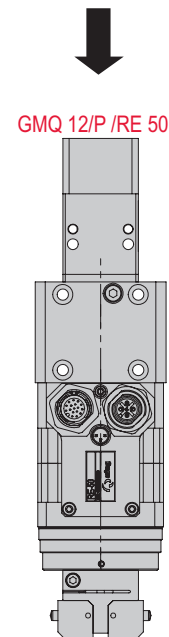
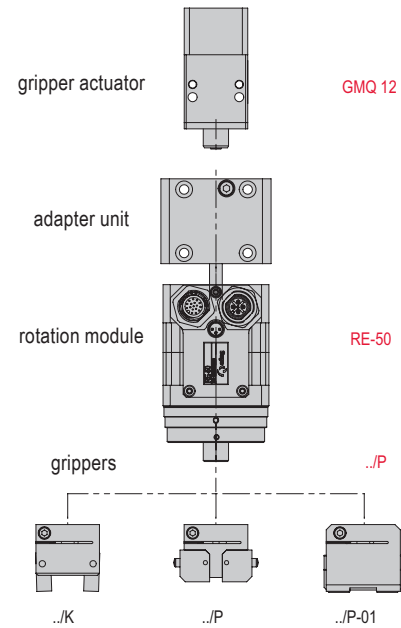
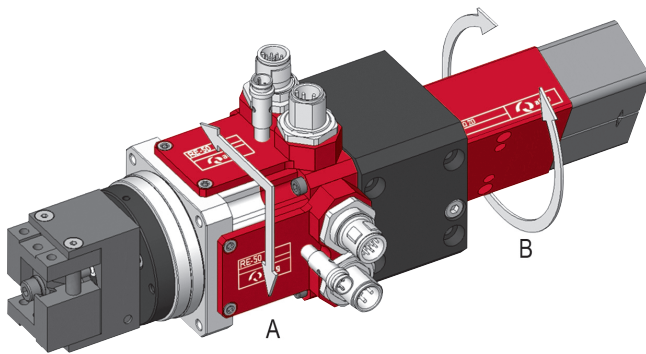
The gripping rotary module consist of the Afag standards modules:

- Gripper actuator EG-20
- Rotation module RE-50

### Legend

A A RE rotation module: There are 4 positions possible for each 90°

B GMQ gripper actuator: Can be rotated by 360°



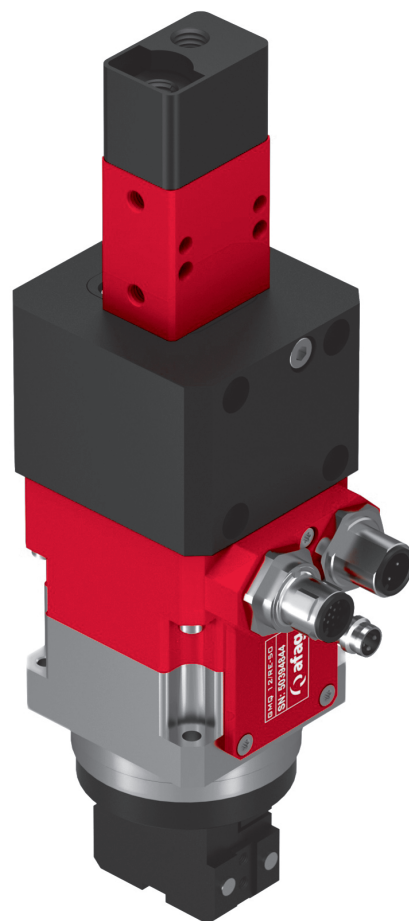
The desired gripper actuator is attached via an adapter unit behind the rotation module. Therefore, no pneumatic and electrical connections rotate during a rotational movement.

The grippers are fitted at the front to the desired rotation module from Afag's wide range of products. This facilitates rotational movement of the grippers.

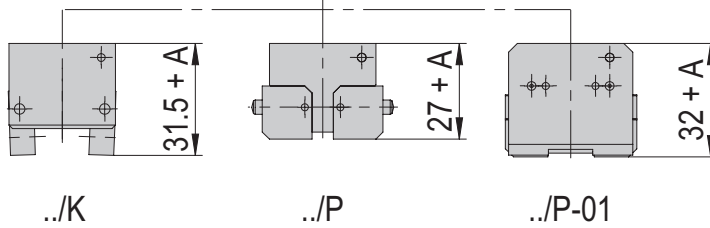
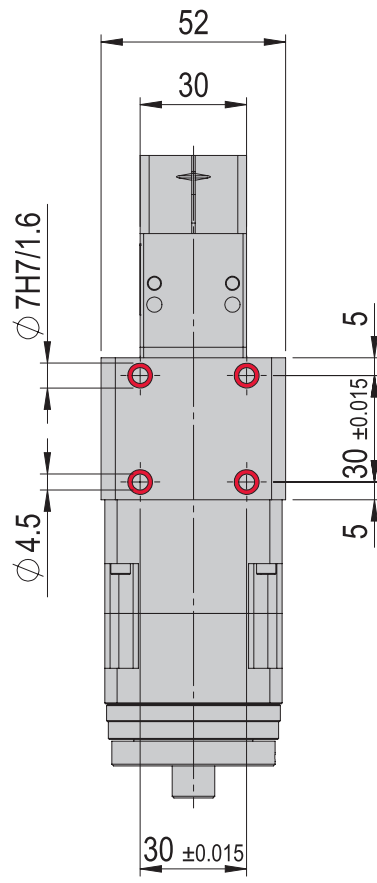
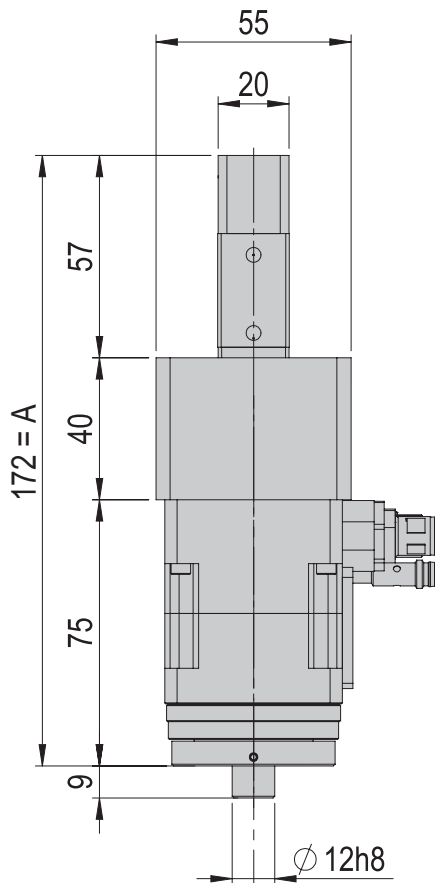
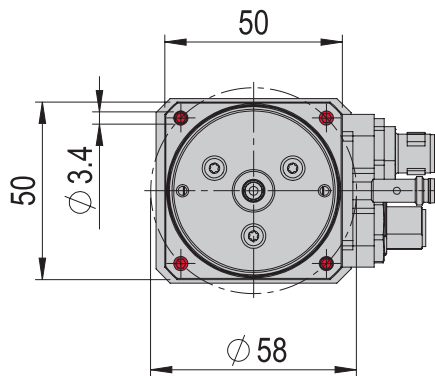
The gripper rotation modules are extremely slender and have practically no interfering contours.


# Gripping rotary modules GMQ/RE

GMQ 12/RE-50



- Modular combinations
- No moving tubes or cables
- Grippers can be rotated in any position



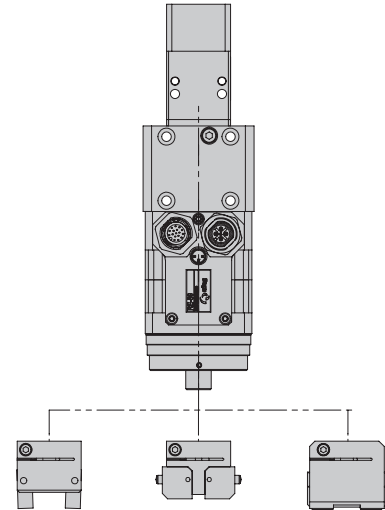
 Bores can be screwed through

# Range summary



**GMQ 12/RE-50**

GMQ 12/RE-50



| Grippers                         | ..K             | ..P             | ..P-01          |
|----------------------------------|-----------------|-----------------|-----------------|
| <b>GMQ 12/.. / RE-50 18-100V</b> | <b>50395566</b> | <b>50395567</b> | <b>50395569</b> |
| Net weight                       | 0.974 kg        | 1.044 kg        | 1.07 kg         |
| <b>GMQ 12/.. / RE-50</b>         | <b>50394843</b> | <b>50394844</b> | <b>50394846</b> |
| Net weight                       | 0.974 kg        | 1.044 kg        | 1.07 kg         |

15

**Included in the delivery**  
 (Catalogue HT accessories)  
 ■ 2x Centering bushing Ø7x3

Warranty: 24 months following commissioning, but a maximum of 27 months following delivery

afag.com

|          |        |                      |        |
|----------|--------|----------------------|--------|
| ES-20    | 1,3    | < direct >           | 1      |
| ES-30    | 1<br>3 | < direct ><br>VP 112 | 2<br>2 |
| ES-40    | 1,3    | direct               | 1      |
| ES-40-HP | 1,3    | direct               | 1      |
| SA-3     | 1,2    | < direct >           | 1      |
| SA-6     | 1,2    | < direct >           | 1      |
| PEZ-52   | 3      | VP 117               | 2      |
| PEZ-65   | 3      | < direct >           | 1      |
| PEZ-80   | 3      | VP 112               | 1      |
| PEL-20   | 3      | direct               | 1      |
| PDL-30   | 3      | direct               | 1      |
| PDL-40   | 3      | direct               | 1      |
| CS 16    | 1,3    | < direct >           | 1      |
| CS 20    | 1,3    | VP 112               | 1      |
| CS 25    | 1,3    | VP 112               | 1      |
| HM 16    | 1      | < direct >           | 1      |
| HM 25    | 1      | VP 112               | 1      |
| PMP-c    | 1,3    | VP 120               | 1      |

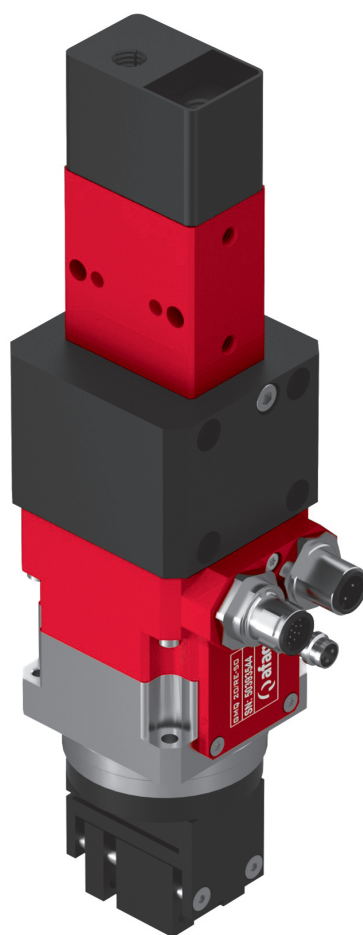
**Mounting areas**

| CS, ES     | LM       | HM       | SA     | UG, GM, SG, DG, PG, GE, SGE |
|------------|----------|----------|--------|-----------------------------|
|            |          |          |        |                             |
| PMP, PMP-c | PEZ, PDZ | PEL, PDL | RM, RE | CR, RM 32, RE, SREH, RA     |
|            |          |          |        |                             |

Note that there might be different mounting positions from one module to another one.  
 The required connection elements and the range of support columns are depicted in the catalogue HT accessories.

# Gripping rotary modules GMQ/RE

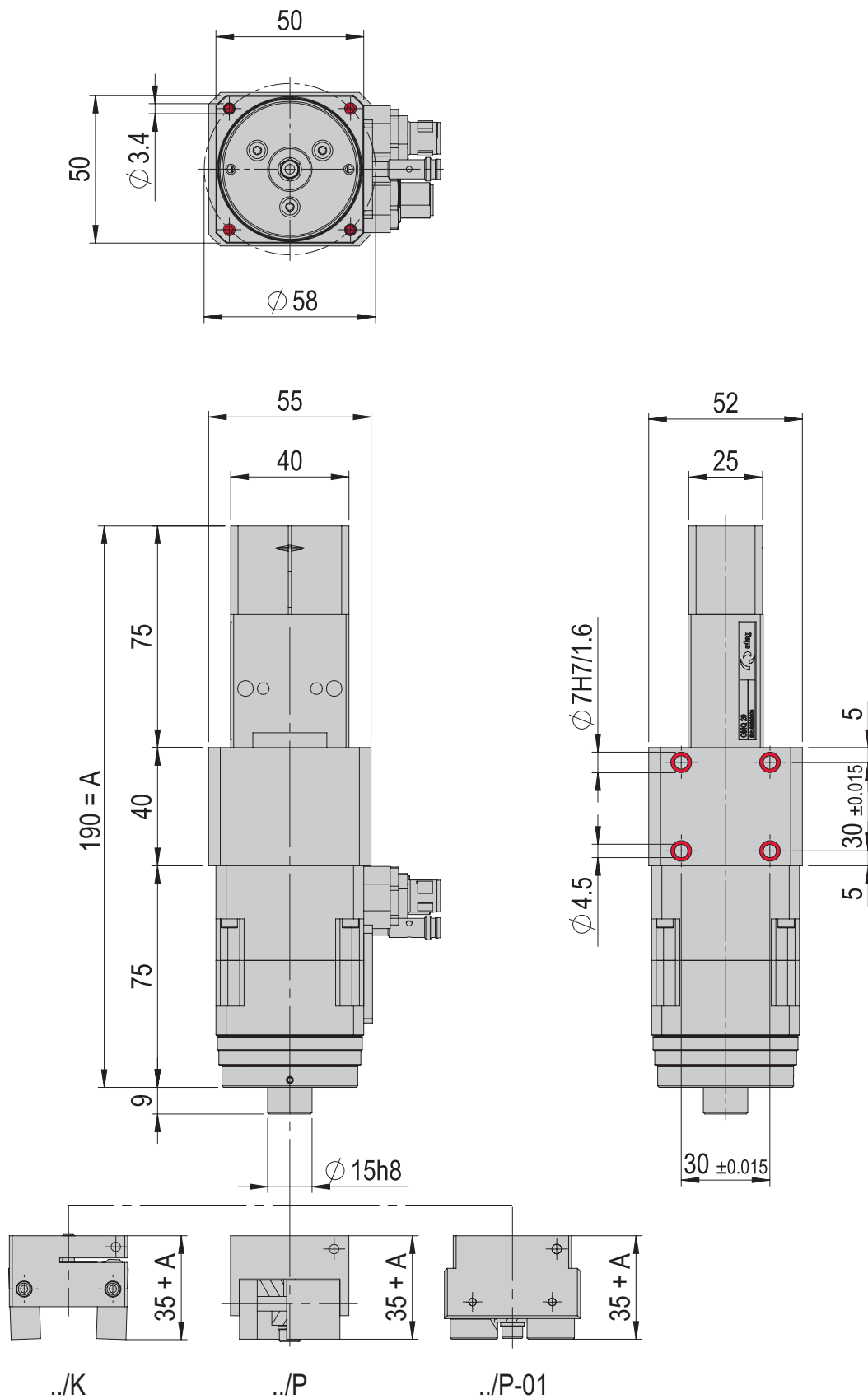
## GMQ 20/RE-50




15

- Modular combinations
- No moving tubes or cables
- Grippers can be rotated in any position





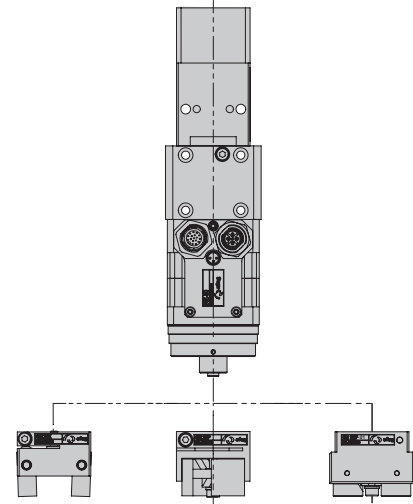
 Bores can be screwed through

# Range summary



**GMQ 20/RE-50**

GMQ 20/RE-50



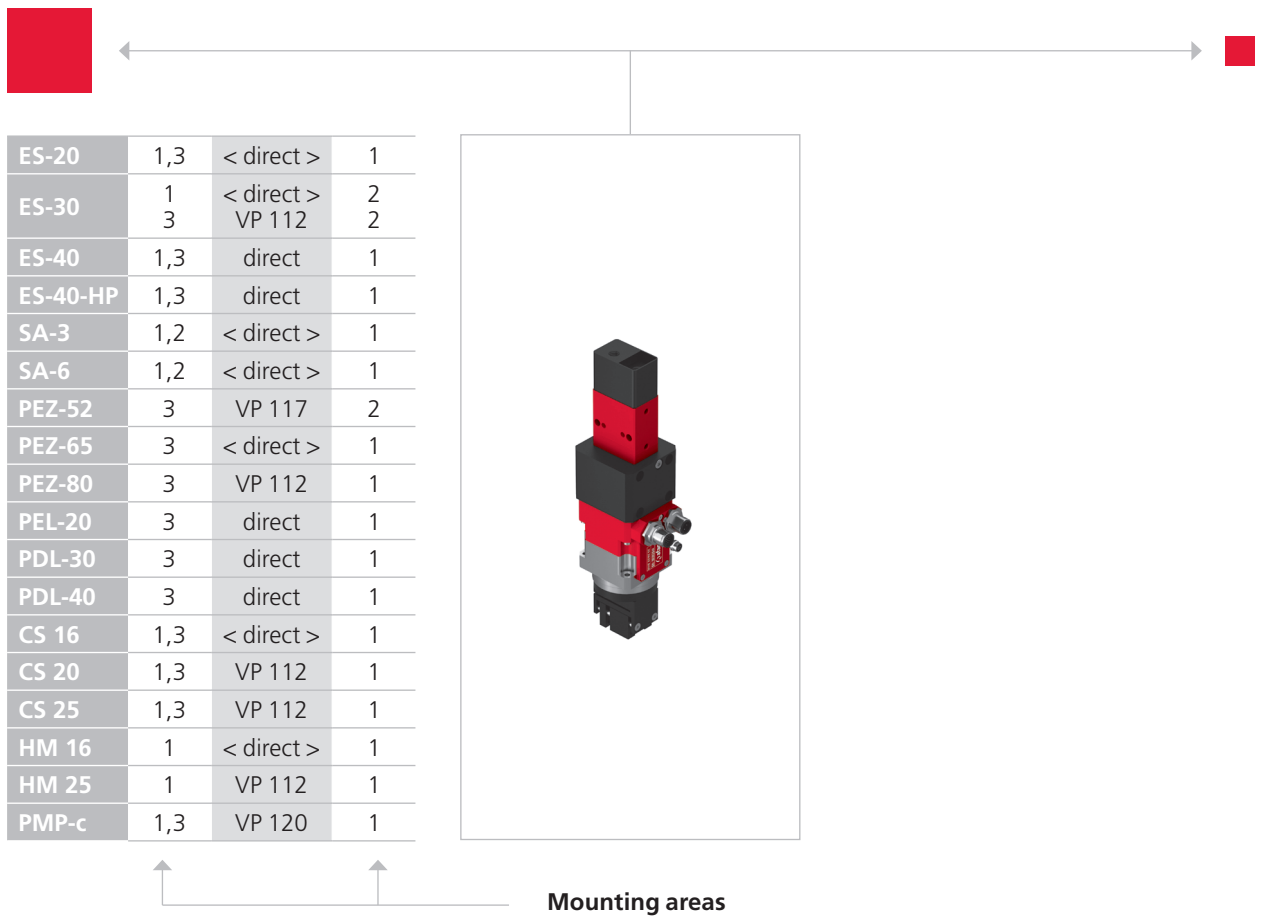
| Grippers                         | ..K             | ..P             | ..P-01          |
|----------------------------------|-----------------|-----------------|-----------------|
| <b>GMQ 20/.. / RE-50 18-100V</b> | <b>50355549</b> | <b>50355547</b> | <b>50410327</b> |
| Net weight                       | 1.141 kg        | 1.148 kg        | 1.194 kg        |
| <b>GMQ 20/.. / RE-50</b>         | <b>50355546</b> | <b>50355544</b> | <b>50410326</b> |
| Net weight                       | 1.141 kg        | 1.148 kg        | 1.194 kg        |

15

**Included in the delivery**  
 (Catalogue HT accessories)  
 ■ 2x Centering bushing Ø7x3

Warranty: 24 months following commissioning, but a maximum of 27 months following delivery

afag.com

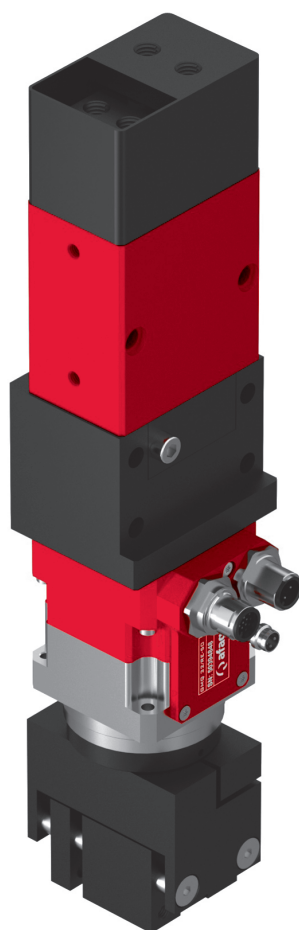


| CS, ES     | LM       | HM       | SA     | UG, GM, SG, DG, PG, GE, SGE |
|------------|----------|----------|--------|-----------------------------|
|            |          |          |        |                             |
| PMP, PMP-c | PEZ, PDZ | PEL, PDL | RM, RE | CR, RM 32, RE, SREH, RA     |
|            |          |          |        |                             |

Note that there might be different mounting positions from one module to another one.  
The required connection elements and the range of support columns are depicted in the catalogue HT accessories.

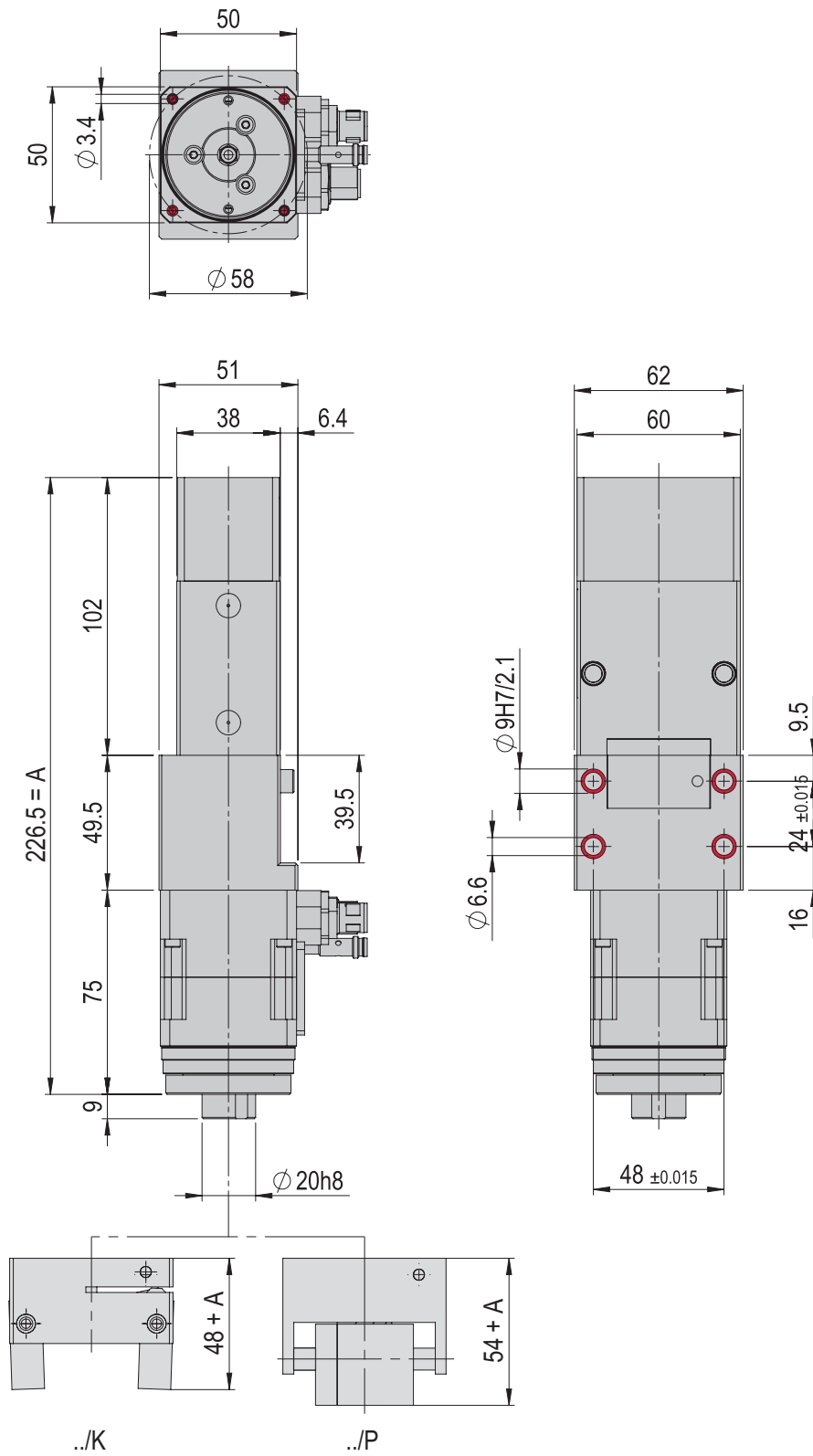
# Gripping rotary modules GMQ/RE


## GMQ 32/RE-50



15

- Modular combinations
- No moving tubes or cables
- Grippers can be rotated in any position



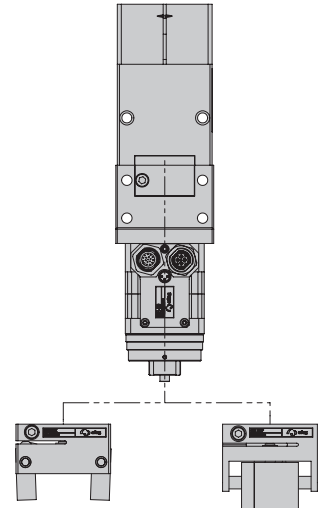
 Bores can be screwed through

# Range summary



**GMQ 32/RE-50**

GMQ 32/RE-50



| Grippers                         | ..K             | ..P             |
|----------------------------------|-----------------|-----------------|
| <b>GMQ 32/.. / RE-50</b>         | <b>50394847</b> | <b>50394848</b> |
| Net weight                       | 1.932 kg        | 2.107 kg        |
| <b>GMQ 32/.. / RE-50 18-100V</b> | <b>50395570</b> | <b>50395571</b> |
| Net weight                       | 1.932 kg        | 2.107 kg        |

15

**Included in the delivery**  
(Catalogue HT accessories)  
■ 2x Centering bushing Ø9x4

Warranty: 24 months following commissioning, but a maximum of 27 months following delivery

afag.com

|          |        |                      |        |
|----------|--------|----------------------|--------|
| ES-20    | 1,3    | < direct >           | 1      |
| ES-30    | 1<br>3 | < direct ><br>VP 112 | 2<br>2 |
| ES-40    | 1,3    | direct               | 1      |
| ES-40-HP | 1,3    | direct               | 1      |
| SA-3     | 1,2    | < direct >           | 1      |
| SA-6     | 1,2    | < direct >           | 1      |
| PEZ-52   | 3      | VP 117               | 2      |
| PEZ-65   | 3      | < direct >           | 1      |
| PEZ-80   | 3      | VP 112               | 1      |
| PEL-20   | 3      | direct               | 1      |
| PDL-30   | 3      | direct               | 1      |
| PDL-40   | 3      | direct               | 1      |
| CS 16    | 1,3    | < direct >           | 1      |
| CS 20    | 1,3    | VP 112               | 1      |
| CS 25    | 1,3    | VP 112               | 1      |
| HM 16    | 1      | < direct >           | 1      |
| HM 25    | 1      | VP 112               | 1      |
| PMP-c    | 1,3    | VP 120               | 1      |

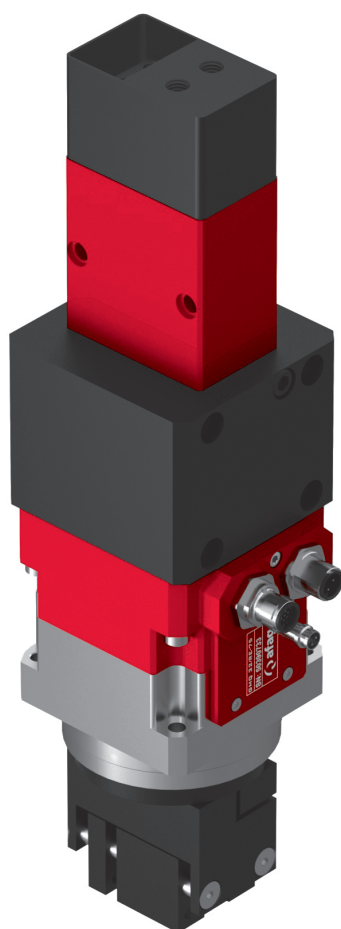
**Mounting areas**

| CS, ES     | LM       | HM       | SA     | UG, GM, SG, DG, PG, GE, SGE |
|------------|----------|----------|--------|-----------------------------|
|            |          |          |        |                             |
| PMP, PMP-c | PEZ, PDZ | PEL, PDL | RM, RE | CR, RM 32, RE, SREH, RA     |
|            |          |          |        |                             |

Note that there might be different mounting positions from one module to another one.  
 The required connection elements and the range of support columns are depicted in the catalogue HT accessories.

# Gripping rotary modules **GMQ/RE**

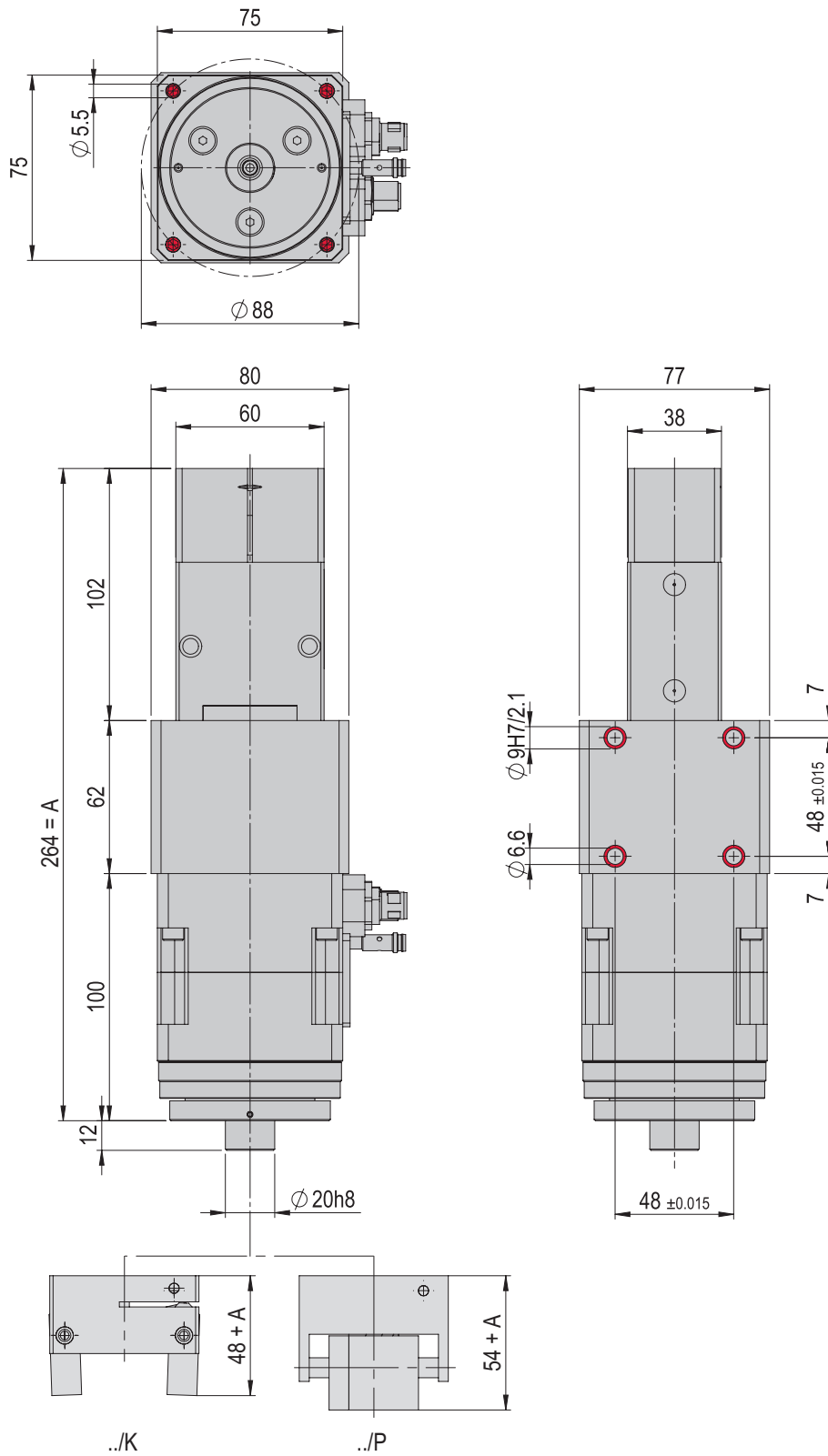
GMQ 32/RE-75




15

- Modular combinations
- No moving tubes or cables
- Grippers can be rotated in any position





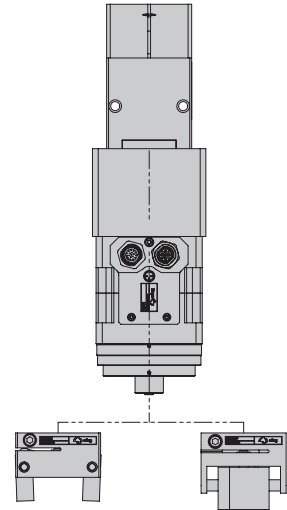
 Bores can be screwed through

# Range summary



**GMQ 32/RE-75**

GMQ 32/RE-75



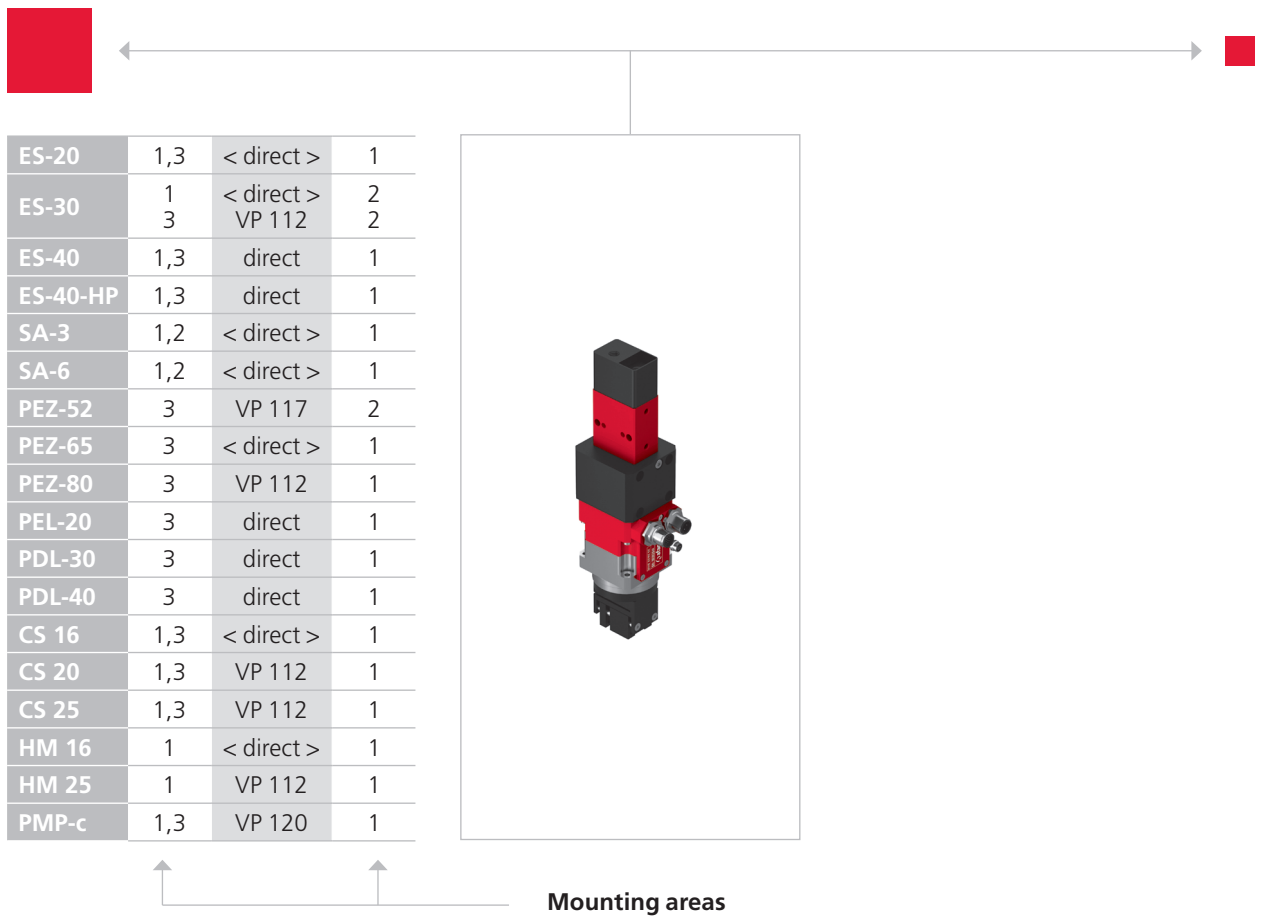
| Grippers                           | ..K             | ..P             |
|------------------------------------|-----------------|-----------------|
| <b>GMQ 32/.. / RE-75</b>           | <b>50390735</b> | <b>50390733</b> |
| Net weight                         | 3.352 kg        | 3.527 kg        |
| <b>GMQ 32/.. / RE-75 18-100V A</b> | <b>50545293</b> | <b>50545292</b> |
| Net weight                         | 3.352 kg        | 3.527 kg        |

15

**Included in the delivery**  
(Catalogue HT accessories)  
■ 2x Centering bushing Ø9x4

Warranty: 24 months following commissioning, but a maximum of 27 months following delivery

afag.com



| CS, ES     | LM       | HM       | SA     | UG, GM, SG, DG, PG, GE, SGE |
|------------|----------|----------|--------|-----------------------------|
|            |          |          |        |                             |
| PMP, PMP-c | PEZ, PDZ | PEL, PDL | RM, RE | CR, RM 32, RE, SREH, RA     |
|            |          |          |        |                             |

Note that there might be different mounting positions from one module to another one.  
The required connection elements and the range of support columns are depicted in the catalogue HT accessories.

