

# Control device

## Smart Box

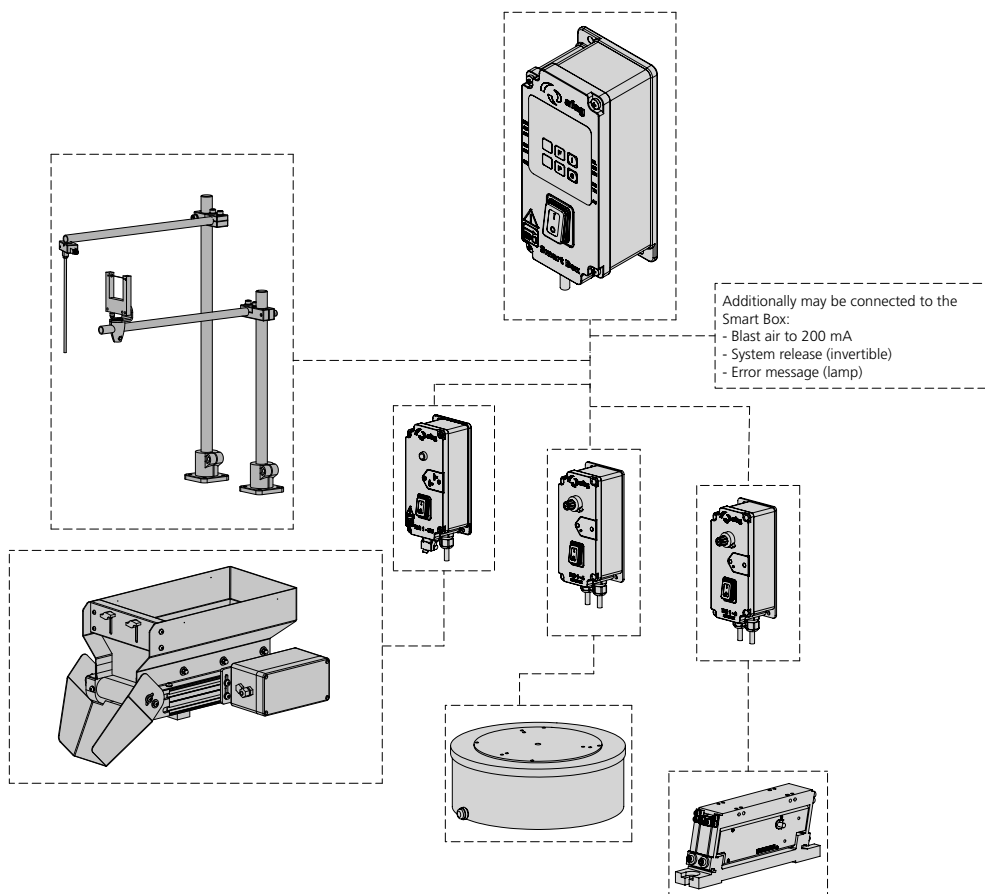
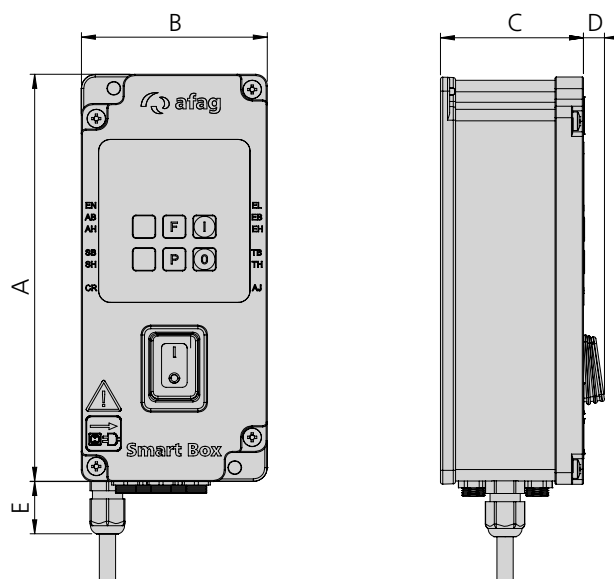


- Modular combination concept
- Linking of external control units, sensors and valves to form autonomous functional units
- Easy to operate

# Dimensions and dimension drawings

## Smart Box

Type	Smart Box
A	175 mm
B	80 mm
C	61.5 mm
D	10 mm
E	25 mm





**Smart Box**

Operating temperature 0 - 45 °C

**Type Smart Box**

**Order number 50371863**

Short-circuit proof	•
Max. current blast air valve	200 mA
Max. current sensor	1 A
Input voltage	230/115 VAC
Output voltage	24 V
Control input	24 VDC
Net weight	0.8 kg
Blast air valve	M8/3
Fuses	M2A/250 V
Conveyor outputs	3 x M8/4-pol.
Operating mode display	LED
Sensor inputs	2 x M8/3-pol.
Multi-function output	M8/3-pol.
System release	M8/3-pol.
Protection type	IP54

Note: • = existent