

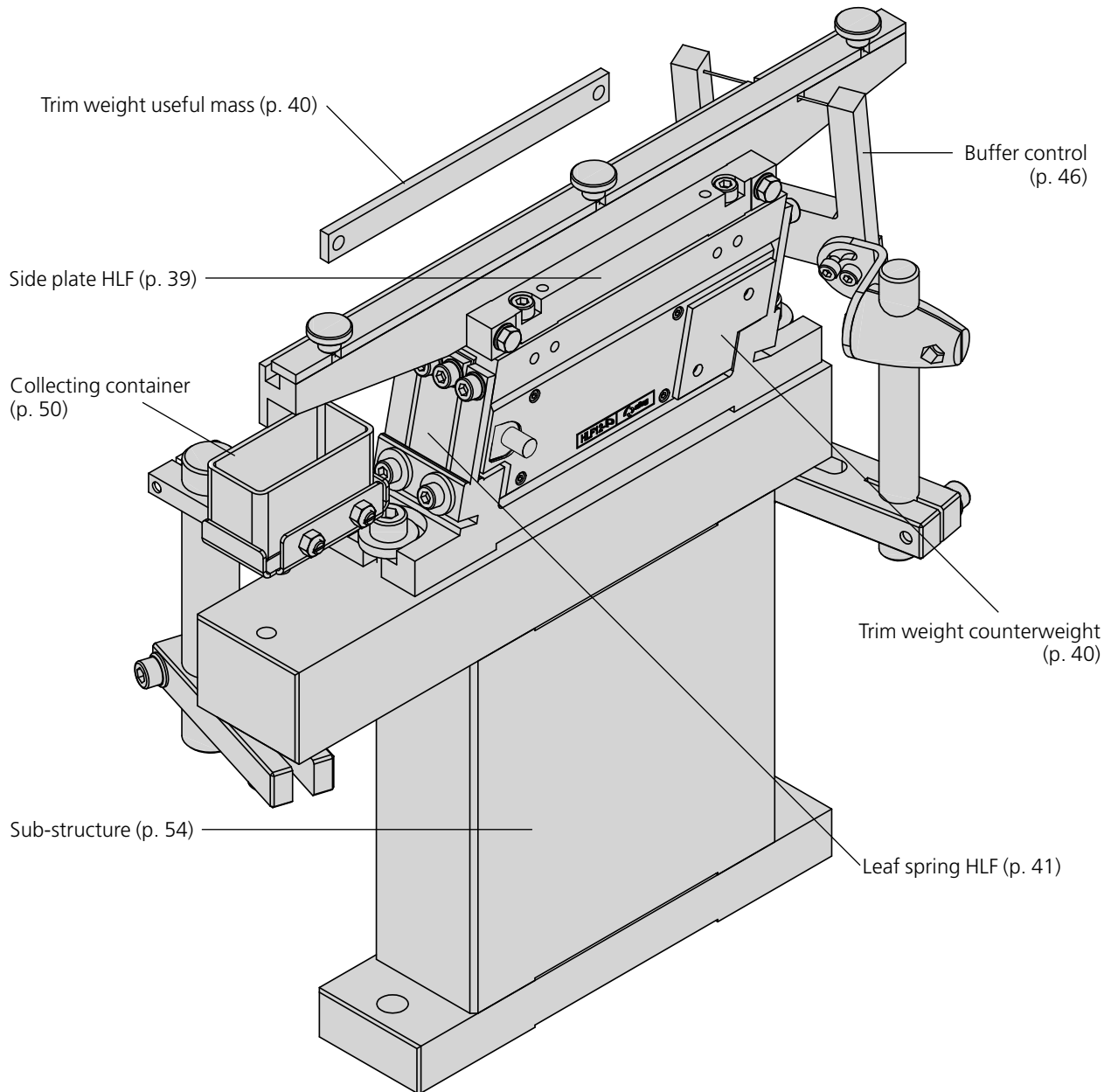
Linear feeder

HLF07-P & HLF12-P

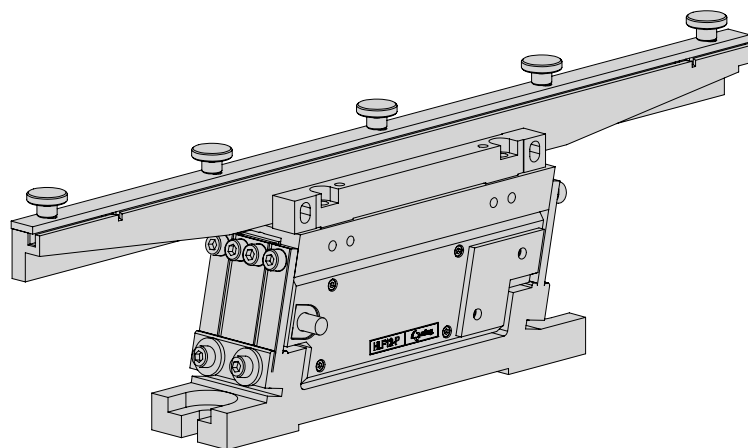


- Higher vibration frequencies up to 240 Hz for even more gentle conveying of parts
- No mechanical adjustment of the natural frequency and therefore not susceptible to interference
- Same outer geometries as HLF-M series

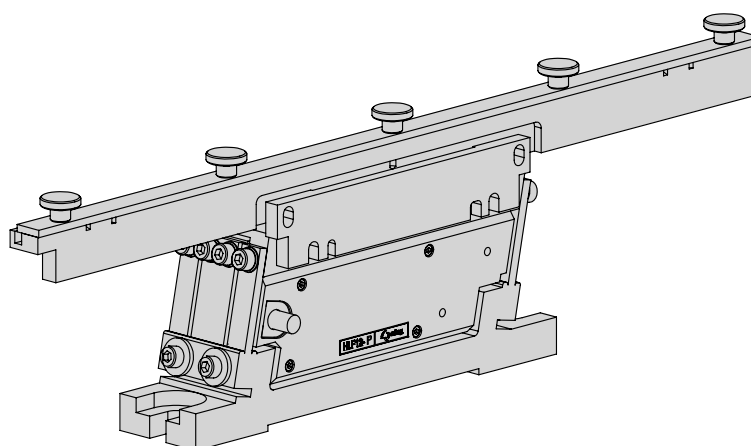
Overview



For fastening the rail to the HLF two variants are possible:



Variant 1 Construction with side plate O

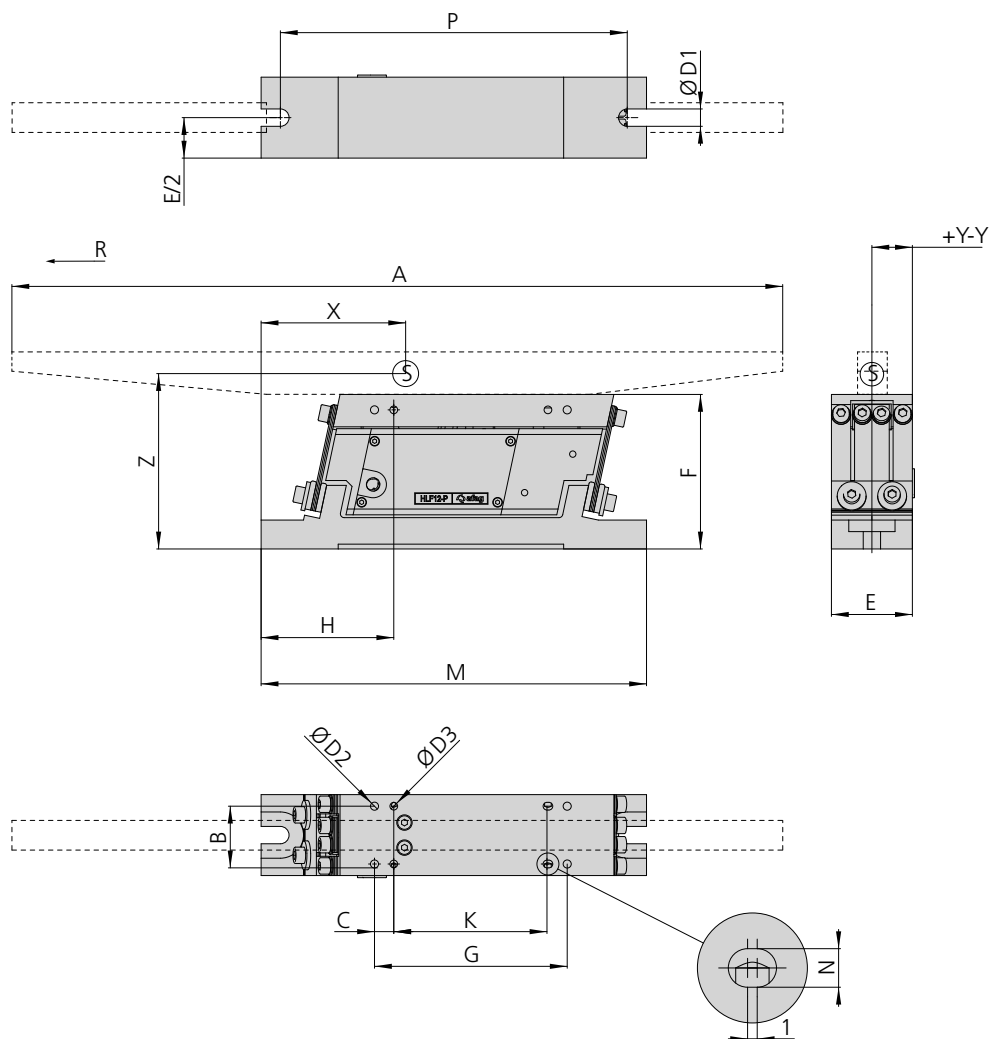


Variant 2 Construction with side plate S

Dimensions and dimension drawings

HLF-P

Type	HLF07-P	HLF12-P
A	300 mm	400 mm
B	25 mm	30 mm
C	10 mm	10 mm
D1	7 mm	9 mm
D2	4 x M5	4 x M5
D3	2 x 4 H7	2 x 4 H7
E	36 mm	42 mm
F	73 mm	80 mm
G	80 mm	100 mm
H	60 mm	69 mm
K	60 mm	80 mm
M	170 mm	200 mm
N	4 mm	4 mm
P	150 mm	180 mm
X	85 ± 10 mm	105 ± 10 mm
Y	0 ± 9 mm	0 ± 10 mm
Z	77 ± 8,5 mm	84 ± 11 mm



R = Feeding direction
S = Track center of gravity

HLF-P		
Operating temperature		10 - 45 °C

Type	HLF07-P	HLF12-P
Order number	50260509	50259973
Mechanical vibration frequency	220 - 240 Hz	190 - 210 Hz
Mains connection (mains voltage/mains frequency)	230 V/50 Hz	230 V/50 Hz
Max. power consumption	23 VA	23 VA
Net weight	1.8 kg	2.7 kg
Feed rail weight (ideal)	0.7 ± 0.1 kg	1.2 ± 0.1 kg
Max. feeder speed	7 m/min	7 m/min
Reactive force compensation	•	•
Protection type	IP 51	IP 51

Note: • = existent
Track not included in scope of supply.